

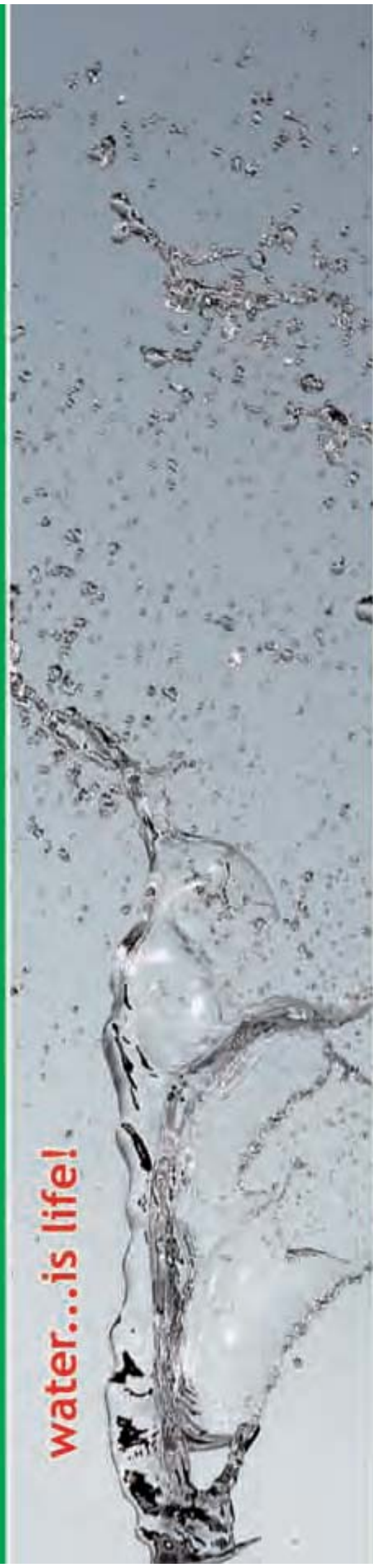
GENERAL CATALOGUE

60 Hz



WATER PUMPS

water...is life!





GENERAL CATALOGUE

Technical Characteristics.

The technical data and characteristics stated in this General Catalogue are not binding. SPERONI spa reserves the right to make modifications without notice. Therefore weights, dimensions, performances and any other stated issues are indicative only and not binding. Anyway for any technical details you must require an up-to-date product technical card.

Competent Court.

In case of any dispute the competent Court will be one of Reggio Emilia even if the payment is by bill of exchange.

CE Rev. 1 - 01/2012





KPM

VOLUMETRIC PUMPS

pag. 6-7



CAM 40 / 66

SELFPRIMING JET PUMPS

pag. 8-9



CAM

100 / 152 / 202

SELFPRIMING JET PUMPS

pag. 10-11



CAM 150 / 200

TWIN IMPELLER SELFPRIMING PUMPS

pag. 12-13



APM 75 / 100

SELFPRIMING PUMPS
FOR DEEP SUCTION

pag. 14-15



pag. 16-17

APM

150 / 200

SELFPRIMING PUMPS
FOR DEEP SUCTION



CM

SINGLE IMPELLER CENTRIFUGAL PUMPS

pag. 18-19



CFM

SINGLE IMPELLER CENTRIFUGAL PUMPS

pag. 20-23



CXM

STAINLESS STEEL SINGLE IMPELLER
CENTRIFUGAL PUMPS

pag. 24-25



pag. 26-31

2C

TWIN IMPELLER
CENTRIFUGAL PUMPS



pag. 32-35

NBM

TWIN IMPELLER
CENTRIFUGAL PUMPS



pag. 36-37

CBM

60 / 65
100 / 150

CENTRIFUGAL
IRRIGATION PUMPS



pag. 38-41

CBM

102 / 152
203 / 303 / 403 / 454 / 554

CENTRIFUGAL IRRIGATION
PUMPS



pag. 42-49

CS MONOBLOCK CENTRIFUGAL PUMPS



pag. 50-53

CX STAINLESS STEEL MONOBLOCK CENTRIFUGAL PUMPS



pag. 54-55

CAM INOX SELFPRIMING JET INOX PUMPS



22 Lt. pag. 56-57
AUTOMATIC WORKING PRESSURE SYSTEM



25 Lt. pag. 58-59
AUTOMATIC WORKING PRESSURE SYSTEM



25 Lt. pag. 60-61
AUTOMATIC WORKING PRESSURE SYSTEM



pag. 62-63

SM CENTRIFUGAL SELFPRIMING MULTISTAGE PUMPS



pag. 64-65

RSM CENTRIFUGAL MULTI-IMPELLER PUMPS



pag. 66-67

RAM SELFPRIMING MULTI-IMPELLER PUMPS



RSXM pag. 68-73
HORIZONTAL MULTISTAGE PUMPS



RVM

MULTISTAGE VERTICAL ELECTRIC PUMPS

pag. 74-75



VSS

VERTICAL MULTISTAGE STAINLESS STEEL PUMPS

pag. 76-91



pag. 92-93

HGM SELFPRIMING MONOBLOCK PUMPS



TS
SUBMERSIBLE
DRAINAGE PUMPS

pag. 94-95



ECM-D
SUBMERSIBLE
ELECTRIC PUMP
FOR THE DRAINAGE

pag. 102-103



PRF
VORTEX
SUBMERSIBLE
PUMPS WITH
VORTEX IMPELLER

pag. 110-111



TF
SUBMERSIBLE PUMPS
FOR DIRTY WATER

pag. 96-97



ECM-V
SUBMERSIBLE
PUMPS WITH
VORTEX IMPELLER

pag. 104-105



SEM-M
MONOCANALE
SUBMERSIBLE
PUMPS WITH
CAST IRON
SINGLE-BLADE
IMPELLER

pag. 112-113



SXG 400/600
STAINLESS STEEL
SUBMERSIBLE
DRAINAGE PUMPS

pag. 98-99



SEM-V
VORTEX
SUBMERSIBLE
PUMPS WITH
VORTEX IMPELLER

pag. 106-107



PRM
MONOCANALE
SUBMERSIBLE
PUMPS WITH
CAST IRON
SINGLE-BLADE
IMPELLER

pag. 114-115



SXG
1000
1200
1100
1400
STAINLESS STEEL
SUBMERSIBLE
PUMPS FOR
DIRTY WATER

pag. 100-101



PRM
VORTEX
SUBMERSIBLE
PUMPS WITH
VORTEX IMPELLER

pag. 108-109



PRF
MONOCANALE
SUBMERSIBLE
PUMPS WITH
CAST IRON
SINGLE-BLADE
IMPELLER

pag. 116-117



CUTTY
CUTTING
SUBMERSIBLE PUMPS

pag. 118-119



GFM

VERTICAL AXLE PUMPS FOR DIRTY WATER pag. 120-121



SP

50 / 70 / 100
140 / 200 / 400

MULTISTAGE SUBMERSIBLE PUMPS FOR 4" WELLS

pag. 122-129



SX

25 / 40 / 70
100 / 180 / 300

INOX MULTISTAGE SUBMERSIBLE PUMPS FOR 4" WELLS

pag. 130-134



MSS

MULTISTAGE SUBMERSIBLE MOTORS FOR 4" WELLS pag. 135



SP

50 / 70 / 100
140 / 200 / 400

MULTISTAGE SUBMERSIBLE PUMPS FOR 4" WELLS

pag. 136-141



SX

25 / 40 / 70
100 / 180 / 300

INOX MULTISTAGE SUBMERSIBLE PUMPS FOR 4" WELLS

pag. 142-147



SCM-F

MULTISTAGE SUBMERSIBLE PUMPS FOR 6" WELLS pag. 148-149

PRESSURE REGULATOR



PRESSURE REGULATOR FOR ELECTRIC PUMPS

pag. 150-151

ACCESSORIES



pag. 152-155

APPLICATION

Volumetric water pumps able to offer high pressures in relation to comparatively low powers and which have particularly steady operating curves. They are qualified in domestic fittings, to increase the system pressure in aqueducts and for automatic water distribution by small autoclave tanks or by hydrosphere units. For the correct functioning of the pump, use clean water, or non-aggressive liquids only, without sand or other solid impurities.

OPERATING CONDITIONS

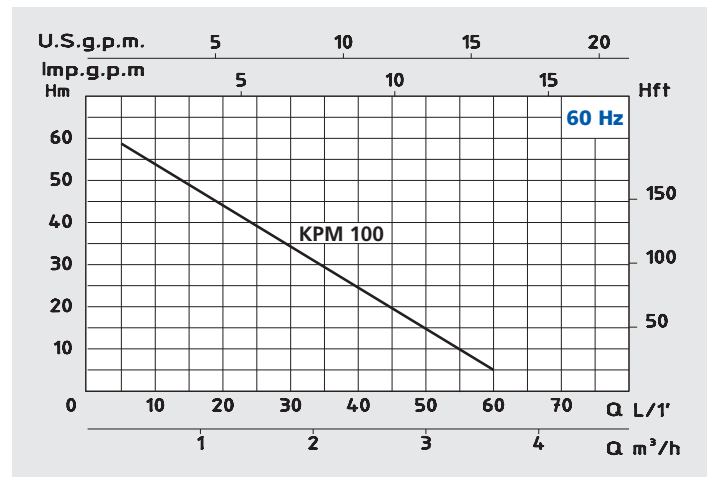
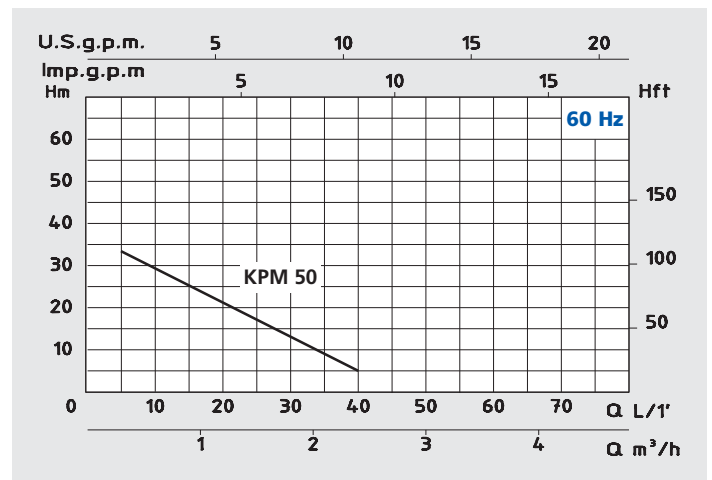
- Liquid temperature up to 60°C
- Ambient temperature up to 40°C
- Total suction lift up to 7 mt.
- Continuous duty

MOTOR

- Two-Pole induction motor (n = 3450 r.p.m.)
- Insulation Class F
- Protection IP 44

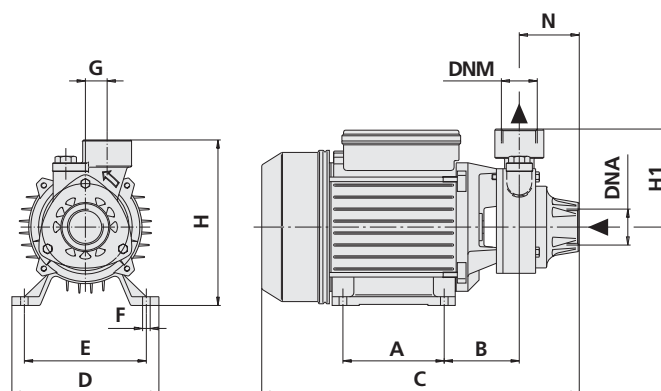
MATERIALS

- | | |
|--------------------|------------------|
| - Pump body | Cast Iron |
| - Motor Support | Cast Iron |
| - Impeller | Brass |
| - Shaft with rotor | Stainless/Steel |
| - Mechanical seal | Ceramic/Graphite |



TECHNICAL DATA

TYPE	NOMINAL POWER P2		INPUT POWER P1	AMPERE	Q = CAPACITY											
	HP	kW			kW	Single-phase	m³/h	0,3	0,6	1	1,2	1,5	1,8	2,1	2,4	3
Single-phase						lt/1'	5	10	16	20	25	30	35	40	50	60
220V-60Hz				1 x 220V-60Hz	Total head in meters w.c.											
KPM 50	0,5	0,37	0,55	2,9	H (m)	34	30	25	22	17	13	10				
KPM 100	1	0,7	1	3,8	H (m)	59	55	50	45	40	35	30	25	15		



DIMENSIONS AND WEIGHTS

TYPE	DIMENSIONS mm												DIMENSIONS mm			Weight Kg
	A	B	C	D	E	F	G	H	H1	N	DNA	DNM	P	L	H	
Single-phase																
KPM 50	80	65	255	120	100	7	20	144	81	50	1"	1"	170	285	170	6,5
KPM 100	90	70	295	135	112	7	20	161	90	55	1"	1"	175	325	190	9,2

APPLICATION

Selfpriming jet water pumps with a very high hydraulic performance and a considerable pressure capacity.

Able to pump up to mt. 8 depth and work perfectly even in soda-water.

Suitable for water lifting and distribution in domestic fittings by small and medium sized tanks.

OPERATING CONDITIONS

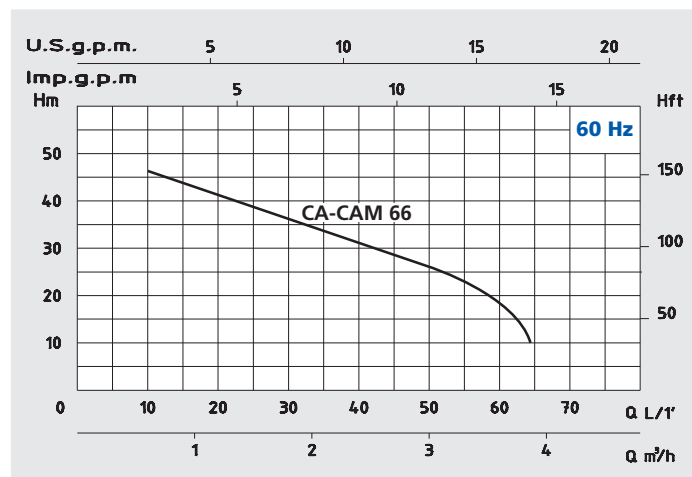
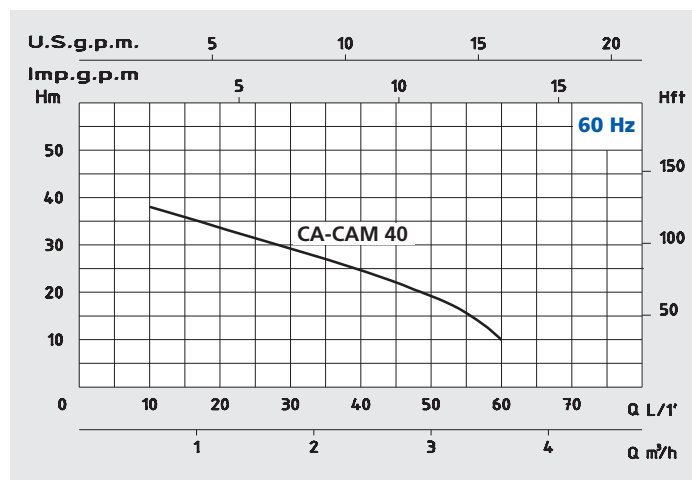
- Max. working pressure 6 bar
- Liquid temperature up to 35°C
- Ambient temperature up to 40°C
- Total suction lift up to 8 mt.
- Continuous duty

MOTOR

- Two-Pole induction motor (n = 3450 min⁻¹)
- Insulation Class F
- Protection IP 44

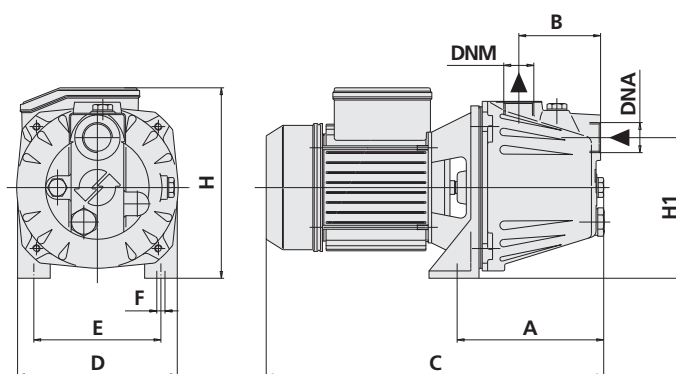
MATERIALS

- Pump body Cast Iron
- Motor Support Aluminium
- Impeller Noryl
- Diffuser Noryl
- Pump flange Stainless Steel
- Shaft with rotor Stainless Steel
- Mechanical seal Ceramic/Graphite



TECHNICAL DATA

TYPE		NOMINAL POWER P2		INPUT POWER P1	AMPERE		Q = PORTATA - CAPACITY										
Single-phase	Three-phase	HP	kW	kW	Single-phase	Three-phase	m³/h	0,6	0,9	1,2	1,5	1,8	2,1	2,4	2,7	3	3,6
							lt/1'	10	15	20	25	30	35	40	45	50	60
220V-60Hz	220/380V-60Hz				1 x 220V-60Hz	3 x 380V-60Hz	Total head in meters w.c.										
CAM 40	CA 40	0,8	0,6	0,8	3,8	1,9	H	38	36	34	32	29	27	25	22	19	
CAM 66	CA 66	1	0,7	1	4,9	2,3	(m)	46	43	40	37	35	33	30	29	26	



DIMENSIONS AND WEIGHTS

TYPE		DIMENSIONS mm										DIMENSIONS mm			Weight
Single-phase	Three-phase	A	B	C	D	E	F	H	H1	DNA	DNM	P	L	H	Kg
CAM 40	CA 40	150	77	328	162	126	9	193	123	1"	1"	180	350	200	9
CAM 66	CA 66	162	90	373	176	140	9	210	150	1"	1"	190	390	230	12,5

APPLICATION

Selfpriming jet water pumps with a very high hydraulic performance and a considerable pressure capacity. Able to pump up to mt. 8 depth and work perfectly even in soda-water. Suitable for water lifting and distribution in domestic fittings by small and medium sized tanks.

OPERATING CONDITIONS

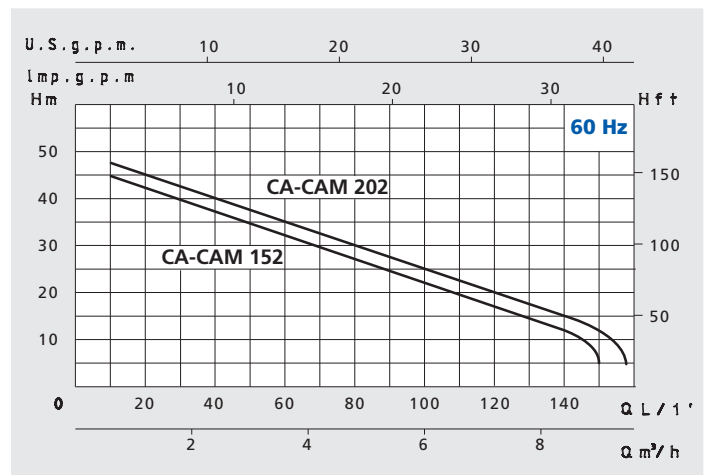
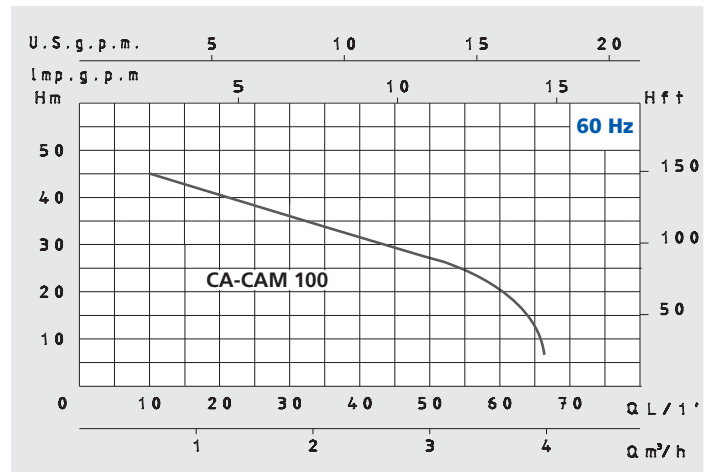
- Max. working pressure 8 bar
- Liquid temperature up to 35°C
- Ambient temperature up to 40°C
- Total suction lift up to 8 mt.
- Continuous duty

MOTOR

- Two-Pole induction motor (n = 3450 min⁻¹)
- Insulation Class F
- Protection IP 44

MATERIALS

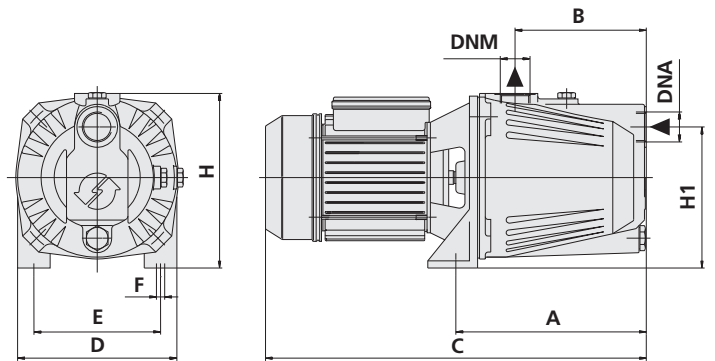
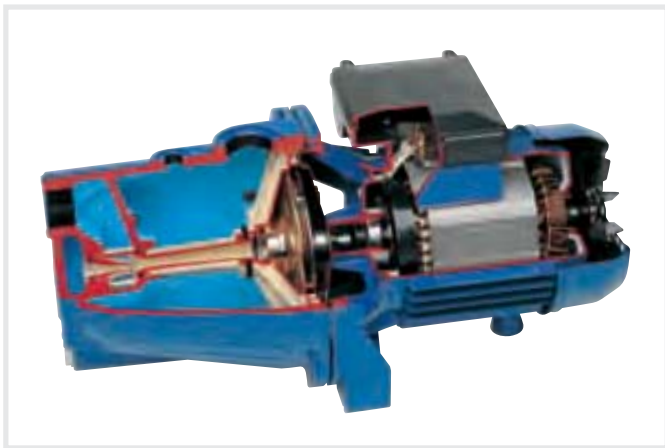
- Pump body Cast Iron
- Motor Support Aluminium
- Motor Support Cast Iron (CA-CAM 152-202)
- Impeller Noryl (CA-CAM 100)
- Impeller Stainless Steel (CA-CAM 152-202)
- Diffuser Noryl
- Pump flange Stainless Steel
- Shaft with rotor Stainless Steel
- Mechanical seal Ceramic/Graphite



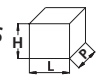
TECHNICAL DATA

TYPE		NOMINAL POWER P2		INPUT POWER P1	AMPERE		Q = CAPACITY										
Single-phase	Three-phase	HP	kW	kW	Single-phase	Three-phase	m³/h	0,6	0,9	1,2	1,5	1,8	2,1	2,4	2,7	3	3,6
							lt/1'	10	15	20	25	30	35	40	45	50	60
220V-60Hz	220/380V-60Hz				1 x 220V-60Hz	3 x 380V-60Hz	Total head in meters w.c.										
CAM 100	CA 100	1	0,75	1,1	5	2,5	H(m)	45	43	40	38	35	33	30	29	26	22

TYPE		NOMINAL POWER P2		INPUT POWER P1	AMPERE		Q = CAPACITY										
Single-phase	Three-phase	HP	kW	kW	Single-phase	Three-phase	m³/h	0,6	1,2	1,8	2,7	3,6	4,8	5,4	6	7,5	9
							lt/1'	10	20	30	45	60	80	90	100	125	150
220V-60Hz	220/380V-60Hz				1 x 230V-60Hz	3 x 380V-60Hz	Total head in meters w.c.										
CAM 152	CA 152	1,5	1,1	1,5	7	3	H	45	42	40	36	33	27	25	22	16	10
CAM 202	CA 202	2	1,5	2	9,3	4,2	(m)	47	45	43	39	35	30	27	25	18	13



DIMENSIONS AND WEIGHTS

TYPE		DIMENSIONS mm										DIMENSIONS mm 			Weight
Single-phase	Three-phase	A	B	C	D	E	F	H	H1	DNA	DNM	P	L	H	Kg
CAM 100	CA 100	211	145	421	176	140	9	194	156	1"	1"	200	450	210	15
CAM 152	CA 152	282	171	570	236	198	12	274	198	1" 1/4	1" 255		590	280	38
CAM 202	CA 202	282	171	570	236	198	12	274	198	1" 1/4	1" 255		590	280	40

APPLICATION

Selfpriming twin-impeller water pumps with ejector for suction up to 9 mt. A suction up to 35 mt. depth can be allowed by taking the ejector down and connecting it to the pump by means of a double hose and a foot valve. Suitable for civil and industrial purposes and to drain clean and soda water and non-aggressive liquids.

OPERATING CONDITIONS

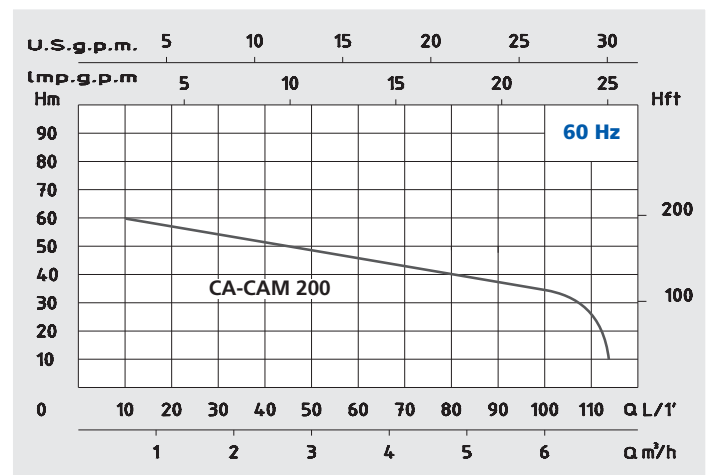
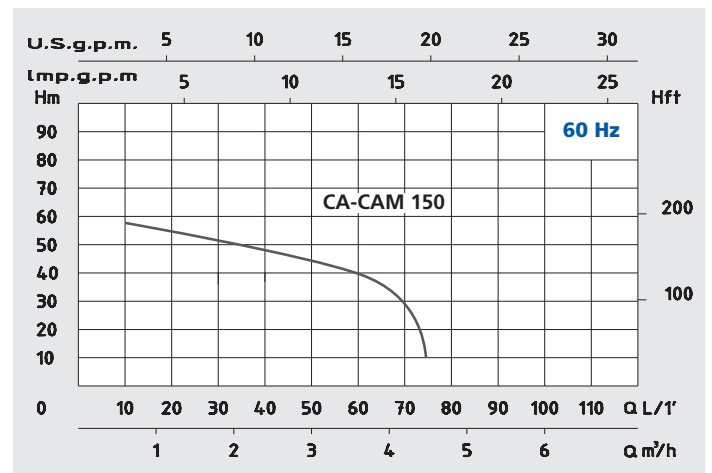
- Liquid temperature up to 35°C
- Ambient temperature up to 40°C
- Total suction lift up to 9 mt.
- Continuous duty

MOTOR

- Two-Pole induction motor (n = 3450 min⁻¹)
- Insulation Class F
- Protection IP 44

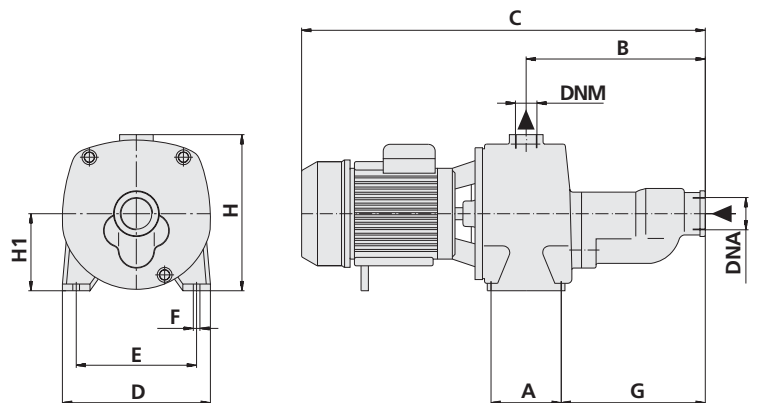
MATERIALS

- Pump body Cast Iron
- Motor Support Cast Iron
- Impeller Noryl
- Diffuser Noryl
- Ejector Cast Iron
- Shaft with rotor Stainless Steel
- Mechanical seal Ceramic/Graphite

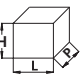


TECHNICAL DATA

TYPE		NOMINAL POWER P2		INPUT POWER P1	AMPERE		Q = CAPACITY										
Single-phase	Three-phase	HP	kW	kW	Single-phase	Three-phase	m³/h	0,6	1,2	1,8	2,4	3	3,6	4,2	4,8	5,4	6
					1 x 220V-60Hz	3 x 380V-60Hz	lt/1'	10	20	30	40	50	60	70	80	90	100
220V-60Hz	220/380V-60Hz						Total head in meters w.c.										
CAM 150	CA 150	1,5	1,1	1,5	7	3	H	58	55	51	47	42	40	35			
CAM 200	CA 200	2	1,5	2	9,3	4,2	(m)	60	57	53	50	47	45	44	40	38	35



DIMENSIONS AND WEIGHTS

TYPE		DIMENSIONS mm											DIMENSIONS mm 			Weight
Single-phase	Three-phase	A	B	C	D	E	F	G	H	H1	DNA	DNM	P	L	H	Kg
CAM 150	CA 150	104	265	605	220	172	10	212	240	115	1" ½	1"	235	615	275	28
CAM 200	CA 200	104	265	605	220	172	10	212	240	115	1" ½	1"	235	615	275	29

APPLICATION

Selfpriming water pumps for deep suction up to mt. 35 to be used in case of important water level gaps. Suitable to drain water from wells and in domestic fittings by small and medium sized tanks. Before installing the pump verify that all pipes (iron, plastic or rubber) are clean inside so to avoid any obstruction to the ejector nozzle. At the foot of the ejector must be installed a foot valve or a check valve. Installed the pump, fill completely both pipes and pump body with clean water. To preserve an efficient priming it is necessary a certain pression in the circuit, therefore it is recommended to install a membrane tank at the delivery of the pump.

OPERATING CONDITIONS

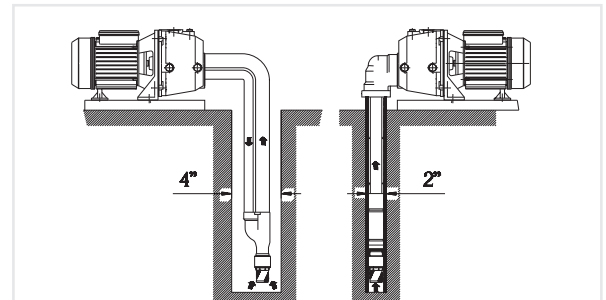
- Liquid temperature up to 35°C
- Ambient temperature up to 40°C
- Total suction lift up to 35 mt.
- Continuous duty

MOTOR

- Two-Pole induction motor ($n = 3450 \text{ min}^{-1}$)
- Insulation Class F
- Protection IP 44

MATERIALS

- Pump body Cast Iron
- Motor support Aluminium
- Impeller Noryl
- Diffuser Noryl
- Ejector Cast Iron
- Pump flange Stainless steel
- Shaft with rotor Stainless Steel
- Mechanical seal Ceramic/Graphite



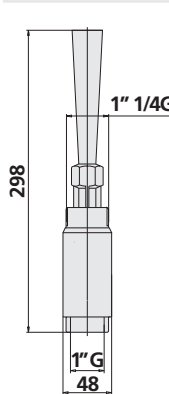
The separate ejector pump is basically a centrifuge with the possibility of becoming a self-priming jet pump with deep suction by fitting the ejector in the well onto the end of the suction pipe. Recirculation of water passing through the Venturi attracts water from below and pushes it through the return (suction) pipe creating enough pressure to take it up to the surface. For these deep suction applications two pipes need to be connected: the delivery pipe to the ejector and the return (suction) outlet, in this case the diameter of the well must be at least 4". If the pump has to go in a 2" well, a special ejector with an airtight lock on the well is necessary. It works with just the return (suction) pipe by exploiting the space remaining between itself and the 2" well as a second recirculation pipe.

TECHNICAL DATA

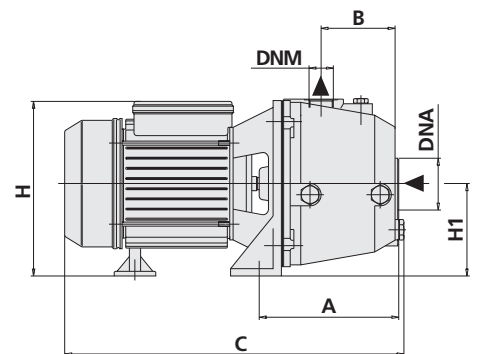
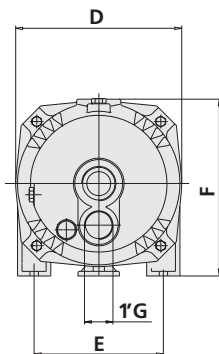
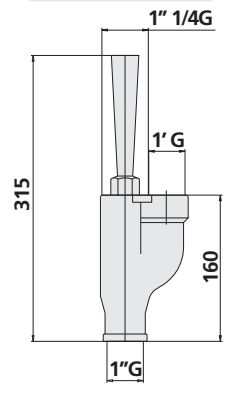
TYPE		NOMINAL POWER P2		INPUT POWER P1	AMPERE		Q = CAPACITY																		
Single-phase	Three-phase	HP	kW	kW	Single phase	Three phase	Ejector	Suction depth m.	m ³ /h	0,18	0,36	0,6	0,9	1,2	1,5	1,8	2,1	3	3,6						
					1 x 220V/60Hz	3 x 380V/60Hz			lt/1'	3	6	10	15	20	25	30	35	50	60						
220V-60Hz	220/380V-60Hz								Total head in meters w.c.																
APM 75	AP 75	0,8	0,6	0,8	3,8	1,9	P 20	15	30	27	24	20	18	16	13	10									
								20	20	16	11	8													
APM 100	AP 100	1	0,75	1,1	5	2,5	P 20	25	12	8															
								15	38	36	32	29	27	24	20	15									
							P 30	20	36	32	28	24	20	16											
								25	29	25	19	13	10												
								30	12	8															
								35	11	4															



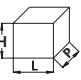
EJECTOR 2"



EJECTOR 4"



DIMENSIONS AND WEIGHTS

TYPE		DIMENSIONS mm										DIMENSIONS mm 			Weight
Single-phase	Three-phase	A	B	C	D	E	F	H	H1	DNA	DNM	P	L	H	Kg
APM 75	AP 75	168	82	360	180	140	195	185	97	1" 1/4	1"	430	190	205	16,7
APM 100	AP 100	168	82	360	180	140	195	185	97	1" 1/4	1"	430	190	205	18

APPLICATION

Selfpriming water pumps for deep suction up to mt. 50 to be used in case of important water level gaps. Suitable to drain water from wells and in domestic fittings by small and medium sized tanks. Before installing the pump verify that all pipes (iron, plastic or rubber) are clean inside so to avoid any obstruction to the ejector nozzle. At the foot of the ejector must be installed a foot valve or a check valve. Installed the pump, fill completely both pipes and pump body with clean water. To preserve an efficient priming it is necessary a certain pression in the circuit, therefore it is recommended to install a membrane tank at th e delivery of the pump.

OPERATING CONDITIONS

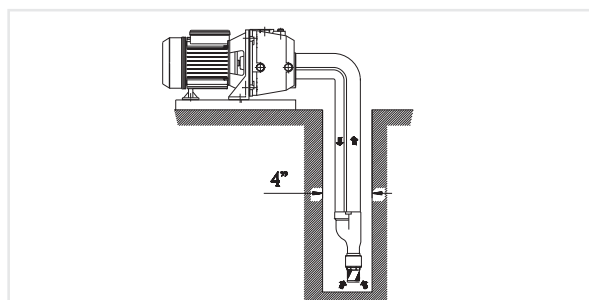
- Liquid temperature up to 35°C
- Ambient temperature up to 40°C
- Total suction lift up to 50 mt.
- Continuous duty

MOTOR

- Two-Pole induction motor (n = 3450 min⁻¹)
- Insulation Class F
- Protection IP 44

MATERIALS

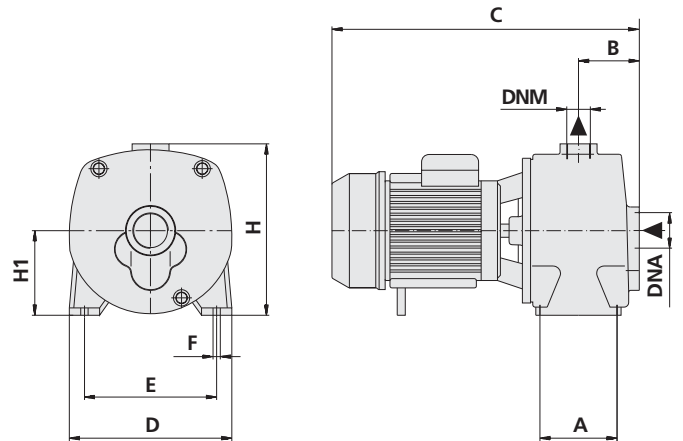
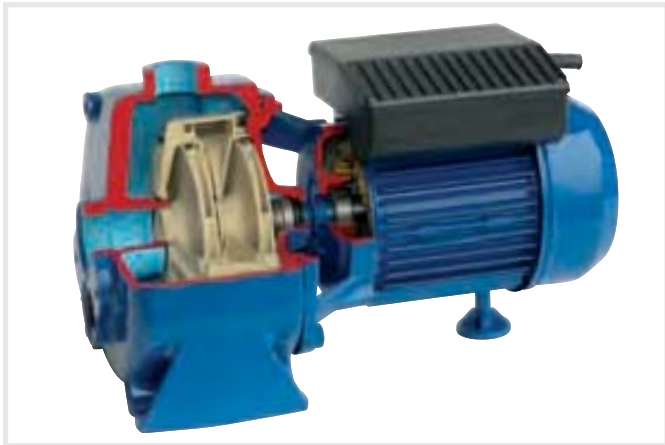
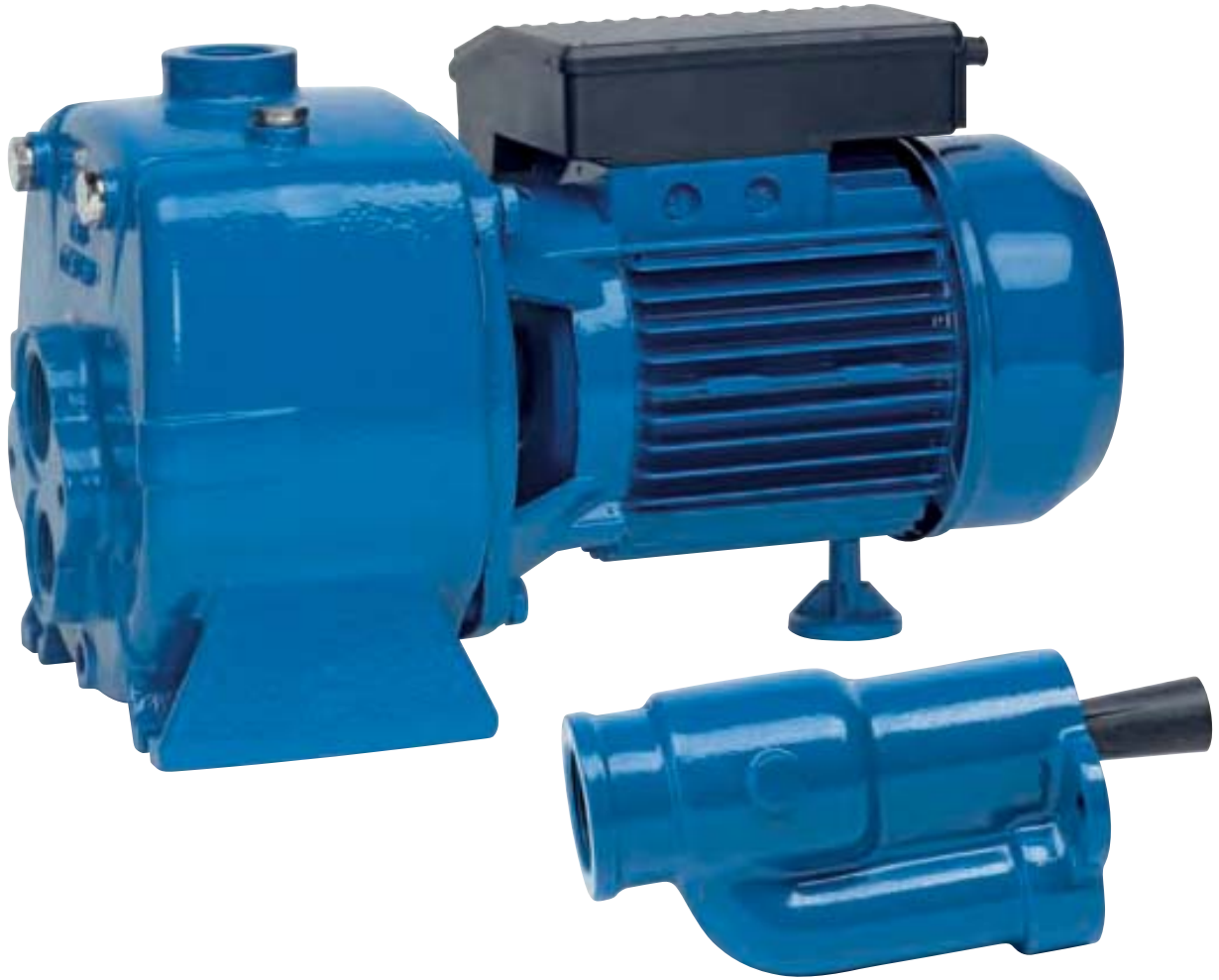
- Pump body Cast Iron
- Motor support Cast Iron
- Impeller Noryl
- Diffuser Noryl
- Ejector Cast Iron
- Shaft with rotor Stainless Steel
- Mechanical seal Ceramic/Graphite



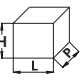
The separate ejector pump is basically a centrifuge with the possibility of becoming a self-priming jet pump with deep suction by fitting the ejector in the well onto the end of the suction pipe. Recirculation of water passing through the Venturi attracts water from below and pushes it through the return (suction) pipe creating enough pressure to take it up to the surface. For these deep suction applications two pipes need to be connected: the delivery pipe to the ejector and the return (suction) outlet, in this case the diameter of the well must be at least 4".

TECHNICAL DATA

TYPE		NOMINAL POWER		INPUT POWER	AMPERE				Q = CAPACITY												
Single-phase	Three-phase	P2		P1	Single phase	Three phase	Ejector	Suction depth m.	m ³ /h	0,18	0,36	0,6	0,9	1,2	1,5	1,8	2,1	3	3,6		
		HP	kW	kW					1 x 220V 60Hz	3 x 380V 60Hz	lt/1'	3	6	10	15	20	25	30	35	50	60
220V-60Hz	220/380V-60Hz								Total head in meters w.c.												
APM 150	AP 150	1,5	1,1	1,5	7	3	P 20	15								42	35	25	21		
								20						50	37	30	21				
								25						45	34	27					
								35					49	41	20						
								40				48	40								
APM 200	AP 200	2	1,5	2	9,3	4,2	P 30	50		49	43	20									
								15								46	35	30			
								20								48	43	32	27		
								25								50	44	40	28	23	
								35									28	20			
APM 200	AP 200	2	1,5	2	9,3	4,2	P 20	40				46	30								
								50			49	40									



DIMENSIONS AND WEIGHTS

TYPE		DIMENSIONS mm										DIMENSIONS mm 			Weight
Single-phase	Three-phase	A	B	C	D	E	F	H	H1	DNA	DNM	P	L	H	Kg
APM 150	AP 150	104	77	415	220	172	10	240	115	1" 1/4	1"	450	230	250	27,2
APM 200	AP 200	104	77	415	220	172	10	240	115	1" 1/4	1"	450	230	250	27,7

APPLICATION

Single impeller centrifugal pumps suitable to cover any small, medium or large capacity request; for domestic, agricultural and industrial purposes; with automatic water distribution through small and medium sized tanks; for sprinkler and flood irrigation systems in gardening and agriculture; to increase in derivation system pressure in aqueducts.

OPERATING CONDITIONS

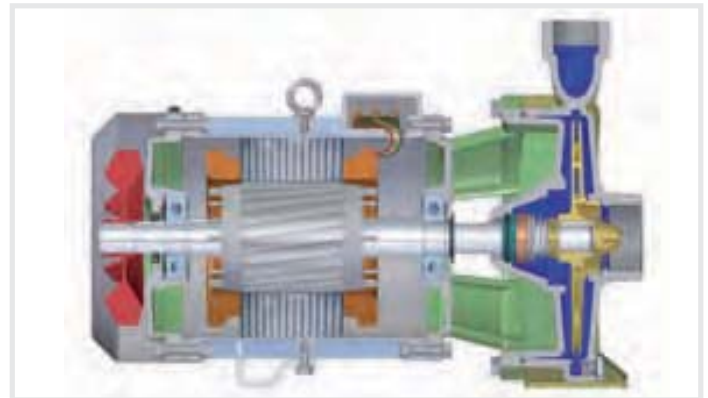
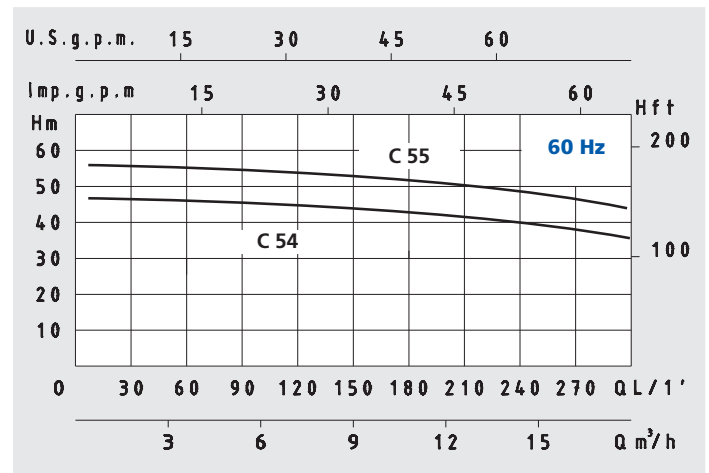
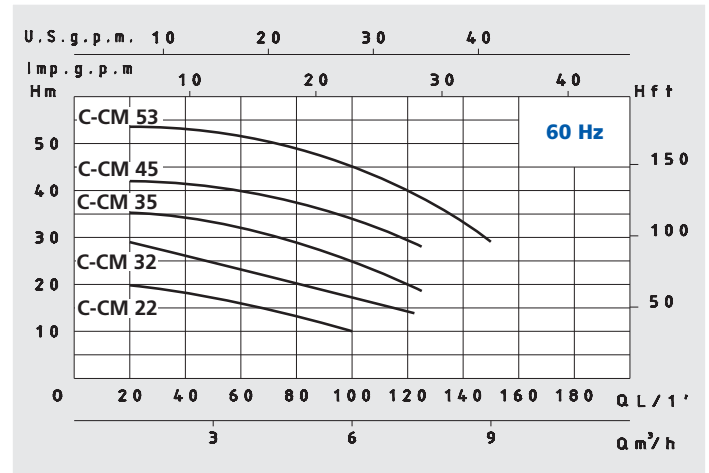
- Max. working pressure 10 bar
- Liquid temperature up to 60°C (C-CM 22-32)
- Liquid temperature up to 90°C
- Ambient temperature up to 40°C
- Total suction lift up to 7 mt.
- Continuous duty

MOTOR

- Two-Pole induction motor (n = 3450 min⁻¹)
- Insulation Class F
- Protection IP 44 (C-CM 22-32)
- Protection IP 55

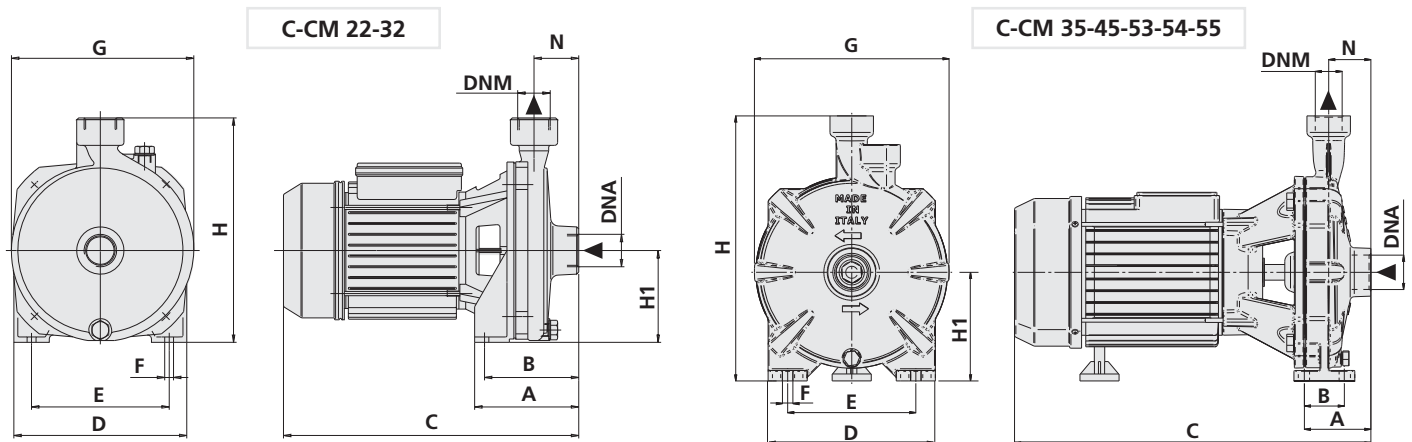
MATERIALS

- Pump body Cast Iron
- Motor Support Aluminium (C-CM 22-32)
- Motor Support Cast Iron
- Impeller Noryl (C-CM 22-32)
- Impeller Brass
- Shaft with rotor Stainless Steel
- Mechanical seal Ceramic/Graphite

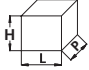


TECHNICAL DATA

TYPE		NOMINAL POWER			INPUT POWER		AMPERE		Q = CAPACITY										
Single-phase	Three-phase	P2		P1	Single-phase	Three-phase	m³/h	0,6	1,2	2,7	3,6	5,4	6	7,5	9	12	18		
		HP	kW															kW	lt/1'
220V-60Hz	220/380V-60Hz				1 x 220V-60Hz	3 x 380V-60Hz	Total head in meters w.c.												
CM 22	C 22	0,5	0,4	0,65	2,8	1,2	H (m)	20	18	17	16	12	10						
CM 32	C 32	1	0,8	1,2	5,5	2,3		29	28	26	23	20	18	14					
CM 35	C 35	1,5	1,1	1,85	8,3	4		36	35,5	34,5	33,5	28	26	19					
CM 45	C 45	2	1,5	2,4	10,7	5		43	42	41,5	40,5	36,5	34	28					
CM 53	C 53	3	2,2	3,3	15	5,5		54	53	52	51	47	45	38	29				
	C 54	4	3	4,5		7,3		46,5	46	45,5	45,3	44,7	44,5	44	43,5	42	35		
	C 55	5,5	4	5,7		9		56	55,5	55	54,5	54	53,5	53	52	50	44		



DIMENSIONS AND WEIGHTS

TYPE		DIMENSIONS mm												DIMENSIONS mm 			Weight
Single-phase	Three-phase	A	B	C	D	E	F	G	H	H1	N	DNA	DNM	P	L	H	Kg
CM 22	C 22	100	90	260	162	126	9	164	205	83	47	1"	1"	180	300	250	8
CM 32	C 32	108	98	300	176	140	9	186	229	94	50	1"	1"	195	340	250	11,8
CM 35	C 35	76,5	45	355	220	147,5	12	224	305	125	48,5	1 1/4"	1"	240	380	360	23
CM 45	C 45	76,5	45	410	220	147,5	12	224	305	125	48,5	1 1/4"	1"	240	440	360	24
CM 53	C 53	76,5	45	410	220	147,5	12	224	305	125	48,5	1 1/4"	1"	240	440	360	27
	C 54	88,5	60	485	245	190	14	256	323	132	58,5	2"	1 1/4"	270	540	410	40
	C 55	88,5	60	475	245	190	14	256	323	132	58,5	2"	1 1/4"	270	540	410	42

APPLICATION

Centrifugal, monoblock and single-impeller electrical pumps with pump body. These machines are ideal for pumping clean water and other chemically and mechanically non-aggressive liquids. Used for a wide variety of applications in civil, agricultural, industrial or general plant uses. Water supply, spray or flowing irrigation, autoclave feed, high pressure system and any other general service requiring transfer of clean liquids.

OPERATING CONDITIONS

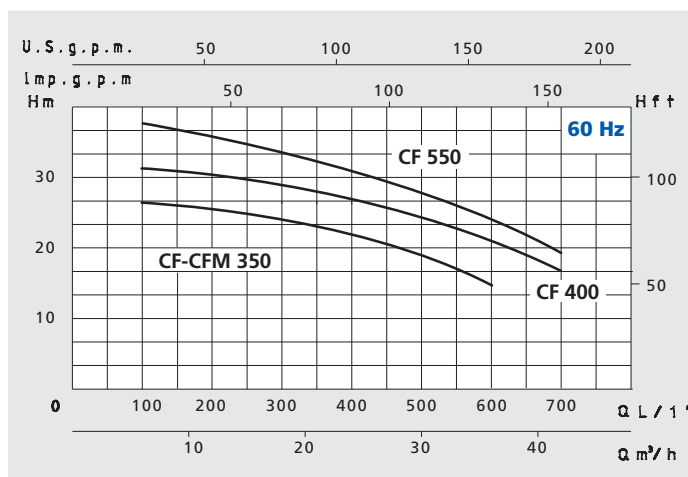
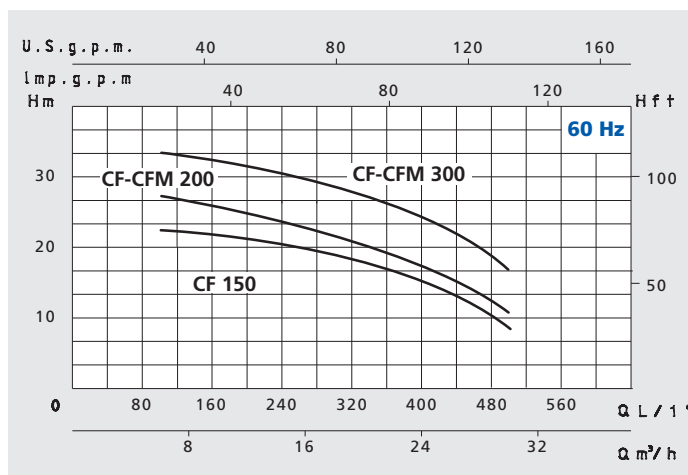
- Max. working pressure 10 bar
- Liquid temperature up to 90°C
- Ambient temperature up to 40°C
- Total suction lift up to 7 mt.
- Continuous duty

MOTOR

- Two-Pole induction motor ($n = 3450 \text{ min}^{-1}$)
- Insulation Class F
- Protection IP 55

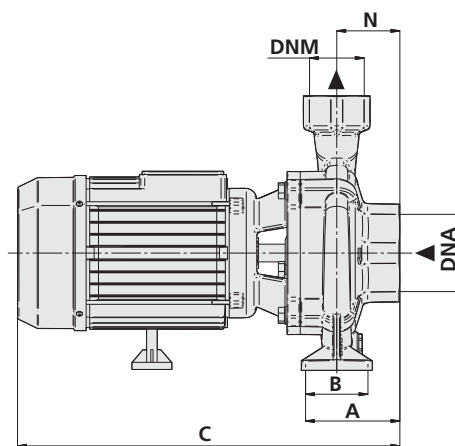
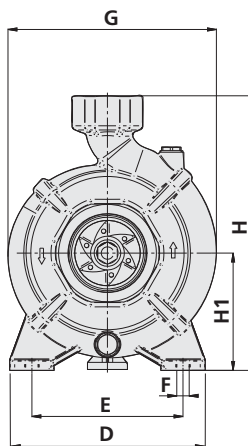
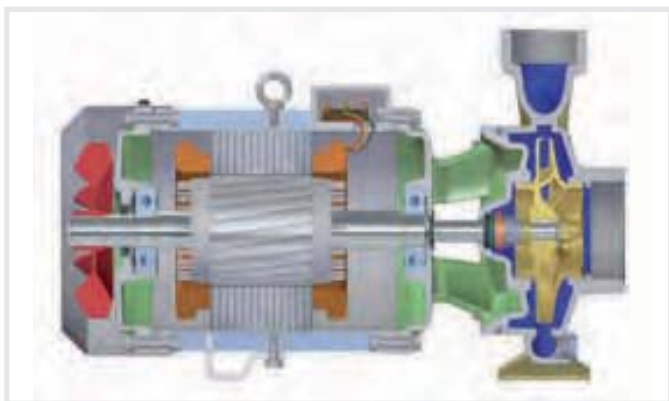
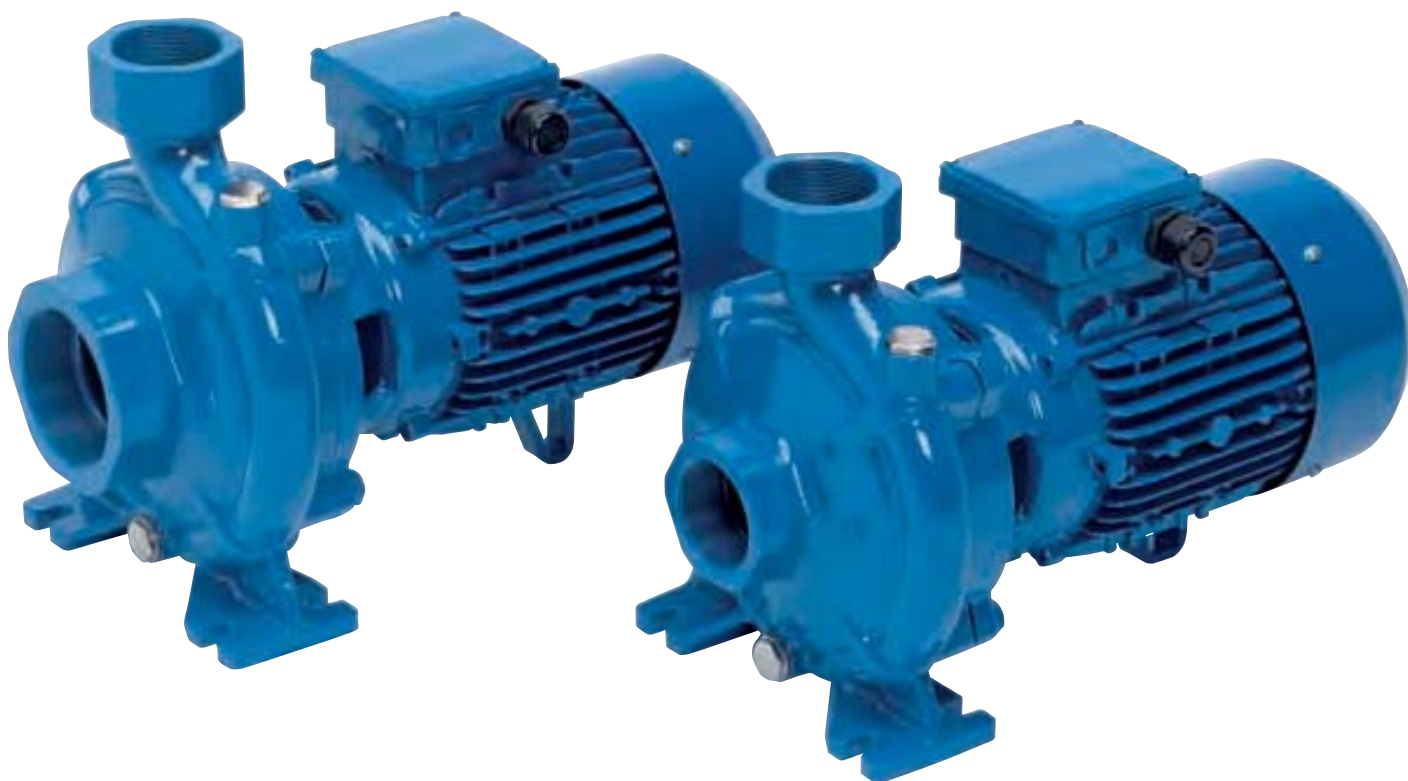
MATERIALS

- Pump body Cast Iron
- Motor Support Cast Iron
- Impeller Cast Iron
- Shaft with rotor Stainless Steel
- Mechanical seal Ceramic/Graphite

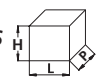


TECHNICAL DATA

TYPE		NOMINAL POWER		INPUT POWER		AMPERE		Q = CAPACITY										
Single-phase	Three-phase	P2		P1	Single-phase	Three-phase	m³/h	6	9	12	18	21	24	27	30	36	42	
220V-60Hz	220/380V-60Hz	HP	kW	kW	1 x 220V-60Hz	3 x 380V-60Hz	lt/1'	100	150	200	300	350	400	450	500	600	700	
	CF 150	1,5	1,1	2,25		4,3	H (m)	24	23	21,5	18,5	16,5	14,5	11,5	8,5			
CFM 200	CF 200	2	1,5	2,7	12	5,1		27	26	25	21	19	17	14,5	12			
CFM 300	CF 300	3	2,2	3,6	16	5,7		33,5	32,5	30,5	27	25	22,5	19,5	16,5			
CFM 350	CF 350	3	2,2	3,6	16	5,7		26	25,5	25	23,5	22,5	21,5	20,5	19	15		
	CF 400	4	3	4,5		7,3		31,5	31,2	31	29,5	28,5	27,5	26	24,5	20,5	16,5	
	CF 550	5,5	4	5,7		9		37	36	35,5	33,5	32	30,5	29	27,5	24	19	



DIMENSIONS AND WEIGHTS

TYPE		DIMENSIONS mm											DIMENSIONS mm 			Weight	
Single-phase	Three-phase	A	B	C	D	E	F	G	H	H1	N	DNA	DNM	P	L	H	Kg
	CF 150	96	55	394	210	165	14	220	286	119	68,5	2"	2"	250	450	340	23
CFM 200	CF 200	96	55	394	210	165	14	220	286	119	68,5	2"	2"	250	450	340	25
CFM 300	CF 300	96	55	430	210	165	14	220	286	119	68,5	2"	2"	250	450	340	29
CFM 350	CF 350	98,5	55	430	220	170	14	237,5	309	132	71	3"	2"	250	450	340	30
	CF 400	98,5	55	496	220	170	14	237,5	309	132	71	3"	2"	250	450	340	31
	CF 550	98,5	55	496	220	170	14	237,5	309	132	71	3"	2"	250	520	340	38

APPLICATION

Centrifugal, monoblock and single-impeller electrical pumps with pump body. These machines are ideal for pumping clean water and other chemically and mechanically non-aggressive liquids. Used for a wide variety of applications in civil, agricultural, industrial or general plant uses. Water supply, spray or flowing irrigation, autoclave feed, high pressure system and any other general service requiring transfer of clean liquids.

OPERATING CONDITIONS

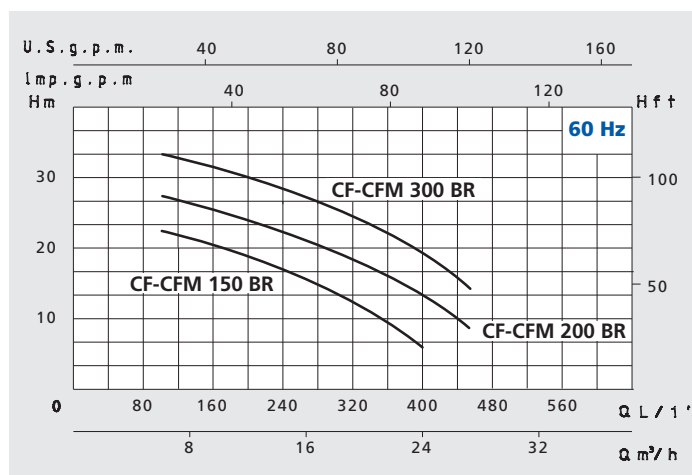
- Max. working pressure 10 bar
- Liquid temperature up to 90°C
- Ambient temperature up to 40°C
- Total suction lift up to 7 mt.
- Continuous duty

MOTOR

- Two-Pole induction motor ($n = 3450 \text{ min}^{-1}$)
- Insulation Class F
- Protection IP 55

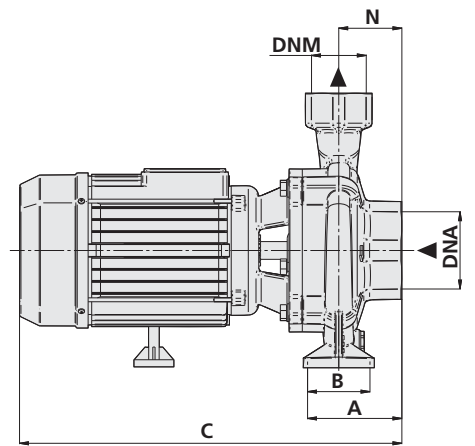
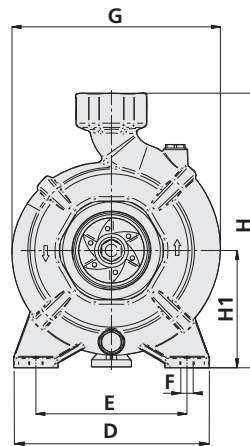
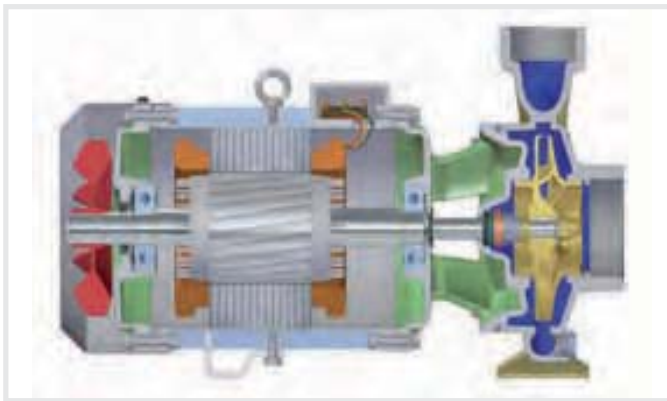
MATERIALS

- Pump body Cast Iron
- Motor Support Cast Iron
- Impeller Bronze
- Shaft with rotor Stainless Steel
- Mechanical seal Ceramic/Graphite

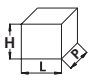


TECHNICAL DATA

TYPE		NOMINAL POWER			INPUT POWER		AMPERE		Q = CAPACITY									
Single-phase	Three-phase	P2		P1	Single-phase	Three-phase	m³/h	6	9	12	18	21	24	27	30	36	42	
		HP	kW															kW
220V-60Hz	220/380V-60Hz						Total head in meters w.c.											
CFM 150 BR	CF 150 BR	1,5	1,1	1,75	8	4	H (m)	22	20	18	13	10	6					
CFM 200 BR	CF 200 BR	2	1,5	2,3	10,5	4,9		27	25	23	18	15	11,5	8				
CFM 300 BR	CF 300 BR	3	2,2	3	13,5	5,2		33,5	32,5	30,5	25	22	19	14				



DIMENSIONS AND WEIGHTS

TYPE		DIMENSIONS mm											DIMENSIONS mm 			Weight	
Single-phase	Three-phase	A	B	C	D	E	F	G	H	H1	N	DNA	DNM	P	L	H	Kg
CFM 150 BR	CF 150 BR	96	55	394	210	165	14	220	286	119	68,5	2"	2"	250	450	340	23
CFM 200 BR	CF 200 BR	96	55	394	210	165	14	220	286	119	68,5	2"	2"	250	450	340	25
CFM 300 BR	CF 300 BR	96	55	430	210	165	14	220	286	119	68,5	2"	2"	250	450	340	29

APPLICATION

Single impeller centrifugal pumps suitable to cover any small, medium or large capacity request; for domestic, agricultural and industrial purposes; with automatic water distribution through small and medium sized tanks; for sprinkler and flood irrigation systems in gardening and agriculture; to increase in derivation system pressure in aqueducts.

OPERATING CONDITIONS

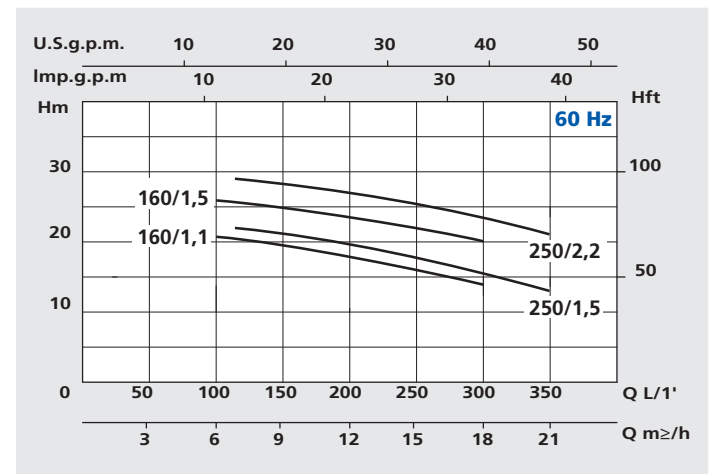
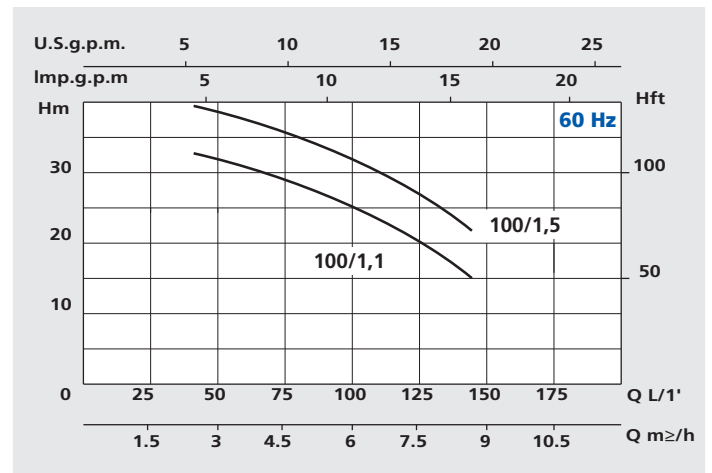
- Liquid temperature up to 90°C
- Ambient temperature up to 40°C
- Total suction lift up to 7 mt.
- Continuous duty

MOTOR

- Two-Pole induction motor (n = 3450 min⁻¹)
- Insulation Class F
- Protection IP 44

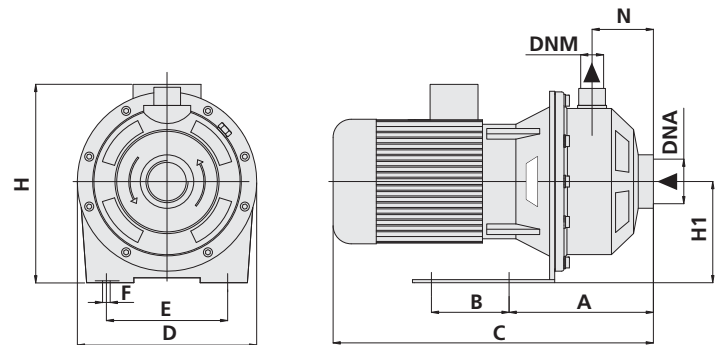
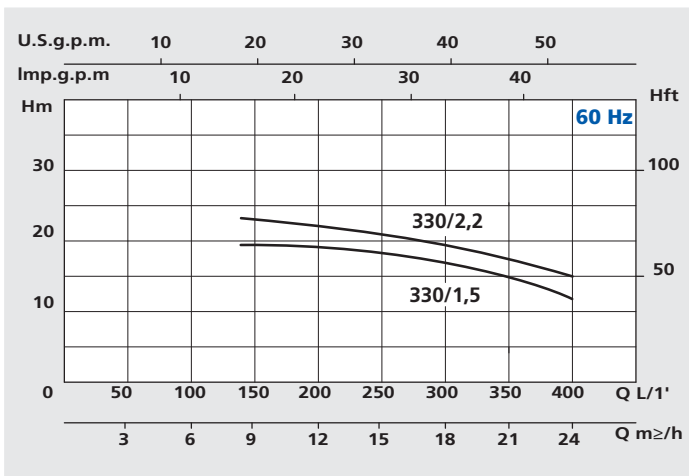
MATERIALS

- Pump body Stainless Steel
- Motor Support Aluminium
- Impeller Stainless Steel
- Shaft with rotor Stainless Steel
- Mechanical seal Ceramic/Graphite



TECHNICAL DATA

TYPE		NOMINAL POWER P2		INPUT POWER P1	AMPERE		Q = CAPACITY												
Single-phase	Three-phase	HP	kW	kW	Single-phase	Three-phase	m³/h	2,4	4,8	6	7,2	8,4	9,6	15	18	21	24		
220V-60Hz	220/380V-60Hz				1 x 220V-60Hz	3 x 380V-60Hz	lt/1'	40	80	100	120	140	160	250	300	350	400		
CXM 100/1,1	CX 100/1,1	1,5	1,1	1,3	4,4	2,6	H (m)	33	29	25	21	15							
CXM 100/1,5	CX 100/1,5	2	1,5	2	5,6	3,3		40	36	32	27	22							
CXM 160/1,1	CX 160/1,1	1,5	1,1	1,3	4,4	2,6				20,5	20	19,5	19	17	14				
CXM 160/1,5	CX 160/1,5	2	1,5	2	5,6	3,3				25,5	25	24,5	24	22	20				
CXM 250/1,5	CX 250/1,5	2	1,5	2	5,6	3,3					22,5	22	21,5	18,5	16	13			
	CX 250/2,2	3	2,2	2,5		4,7					28,5	28	27,5	25	23	20,5			
CXM 330/1,5	CX 330/1,5	2	1,5	2	5,6	3,3						19,5	19	18	16,5	15	13,5		
	CX 330/2,2	3	2,2	2,5		4,7						23	22,5	20,5	19,5	17,5	15		

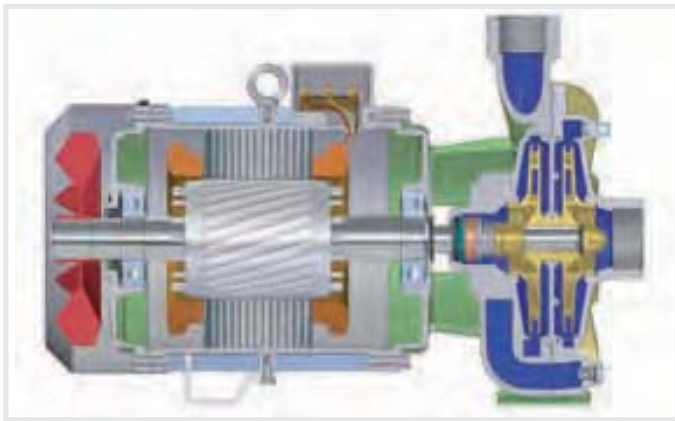


DIMENSIONS AND WEIGHTS

TYPE		DIMENSIONS mm											DIMENSIONS mm			Weight
Single-phase	Three-phase	A	B	C	D	E	F	H	H1	N	DNA	DNM	P	L	H	Kg
CXM 100/1,1	CX 100/1,1	113	115	361	216	150	11	245	111	51	1" ¼	1"	225	380	250	14
CXM 100/1,5	CX 100/1,5	113	115	401	216	150	11	245	111	51	1" ¼	1"	225	380	250	20
CXM 160/1,1	CX 160/1,1	127	115	375	216	150	11	253	111	54	1" ½	1" ¼	225	430	260	16
CXM 160/1,5	CX 160/1,5	127	115	415	216	150	11	253	111	54	1" ½	1" ¼	225	430	260	20
CXM 250/1,5	CX 250/1,5	127	115	415	216	150	11	253	111	54	1" ½	1" ¼	225	430	260	20
	CX 250/2,2	127	115	415	216	150	11	253	111	54	1" ½	1" ¼	225	430	260	23
CXM 330/1,5	CX 330/1,5	127	115	415	216	150	11	253	111	54	2"	1" ¼	225	430	260	20
	CX 330/2,2	127	115	415	216	150	11	253	111	54	2"	1" ¼	225	430	260	23

APPLICATION

Twin impeller centrifugal water pumps to lift clean water and non-aggressive liquids. The main feature are the two opposite impellers which allow higher lifts than in the single-impeller model. They are qualified for civil and industrial fittings, for water distribution by tank pressure groups and for irrigation in gardening and agriculture.



OPERATING CONDITIONS

- Max. working pressure 10 bar
- Max. working pressure 16 bar (2C 32/210B - 32/210A - 32/215A - 2C 40/180B - 2C 40/180A - 2C 40/200A)
- Liquid temperature up to 90°C
- Ambient temperature up to 40°C
- Total suction lift up to 7 mt.
- Continuous duty

MOTORS

- Two-Pole induction motor (n = 3450 min⁻¹)
- Insulation Class F
- Protection IP 55

MATERIALS

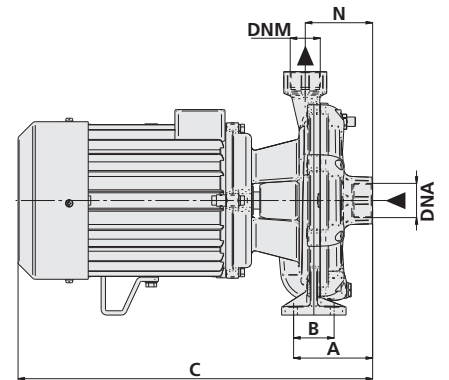
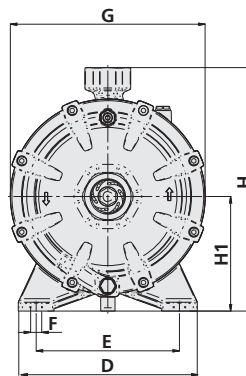
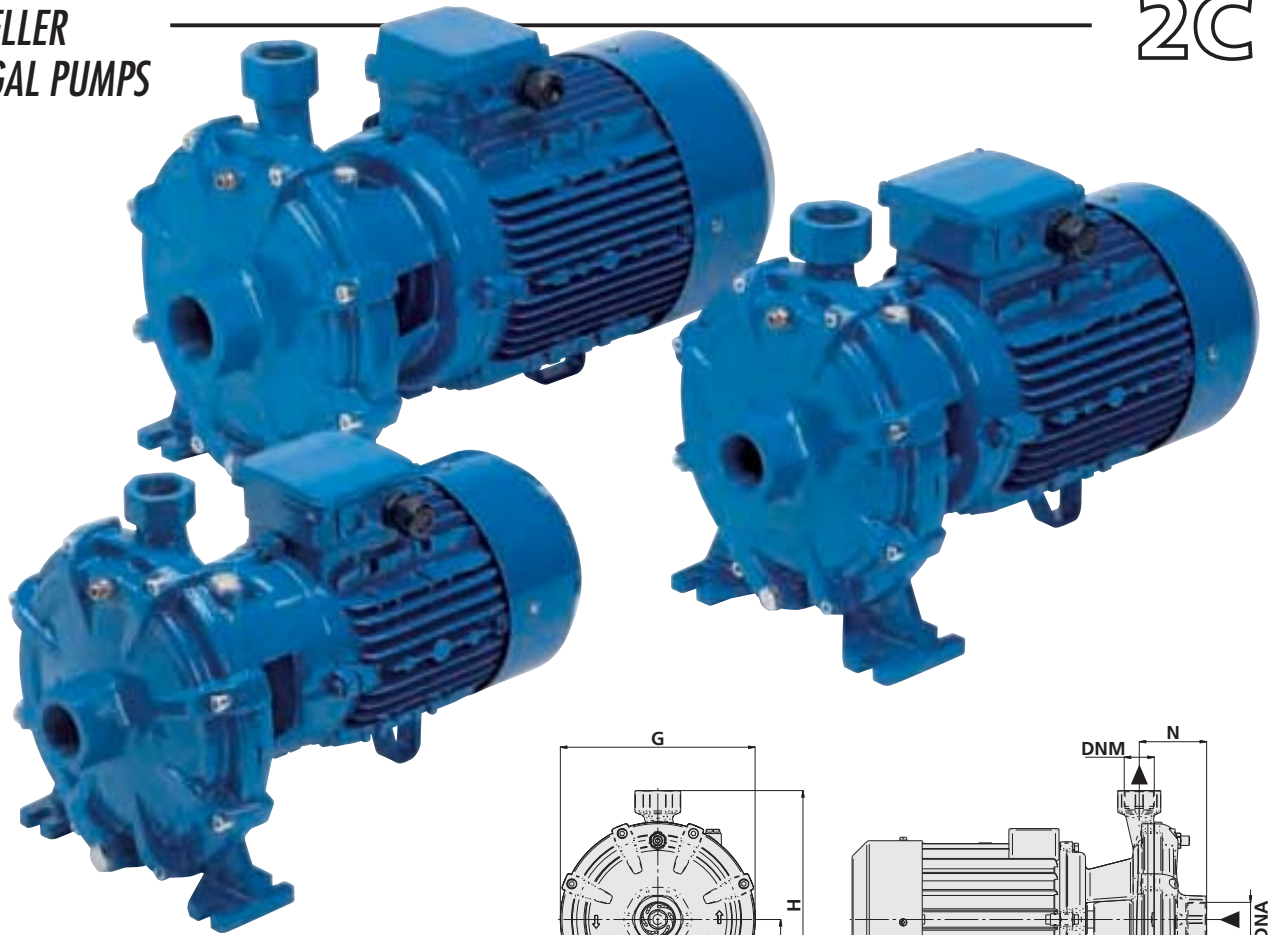
- Pump body Cast Iron
- Motor Support Cast Iron
- Impeller Brass
- Shaft with rotor Stainless Steel
- Mechanical seal Ceramic/Graphite

TECHNICAL DATA

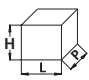
TYPE	NOMINAL POWER P2		INPUT POWER P1	AMPERE	Q = CAPACITY										
	HP	kW	kW		Three-phase										
Three-phase				3 x 380V-60Hz	m ³ /h	0	1,5	3	6	9	12	15	18	24	30
					lt/1'	0	25	50	100	150	200	250	300	400	500
220/380V-60Hz				3 x 380V-60Hz	Total head in meters w.c.										
2C 25/160C	1,5	1,1	2,2	3,8	55	52	49	35							
2C 25/160B	2	1,5	2,5	4,2	58	56	54	40							
2C 25/160A	3	2,2	3,4	5,7	66	64,5	63	57	49						
2C 25/180A	4	3	4,2	7	72	70	68	60	52	39					
2C 32/190B	4	3	4,5	7,5	73,5	72	69,5	63	55	43					
2C 32/190A	5,5	4	6	9,3	88	86	84	77	68	56					
2C 32/210D	5,5	4	6	9,3	79	78,8	78,5	75,5	70	62	50				
2C 32/210C	7,5	5,5	8	13	90	89,5	89	87	82,5	76	64	49			
2C 32/210B	10	7,5	10	16	105,5	105,3	105	102,5	98	91	82	68			
2C 32/210A	12,5	9,2	11,5	18,5	117	116,8	116,5	114,5	110	103	94	82			
2C 32/215A	15	11	13	21	120	119,8	119,5	117,5	112	105	96	84			
2C 40/180D	5,5	4	6	9,3	60	59,5	59	58	56,5	54	50	45	34		
2C 40/180C	7,5	5,5	8	13	71	70,9	70,7	70,5	69	67	63,5	60	50	35	
2C 40/180B	10	7,5	10	16	87	86	85,5	85	83	81	77,5	75	65	51	
2C 40/180A	12,5	9,2	11,5	18,5	93,5	93,4	93,3	93	92	90	87	82	71	58	
2C 40/200A	15	11	13	21	96	95,9	95,8	95,5	94,5	92,5	89,5	85,5	76,5	65	

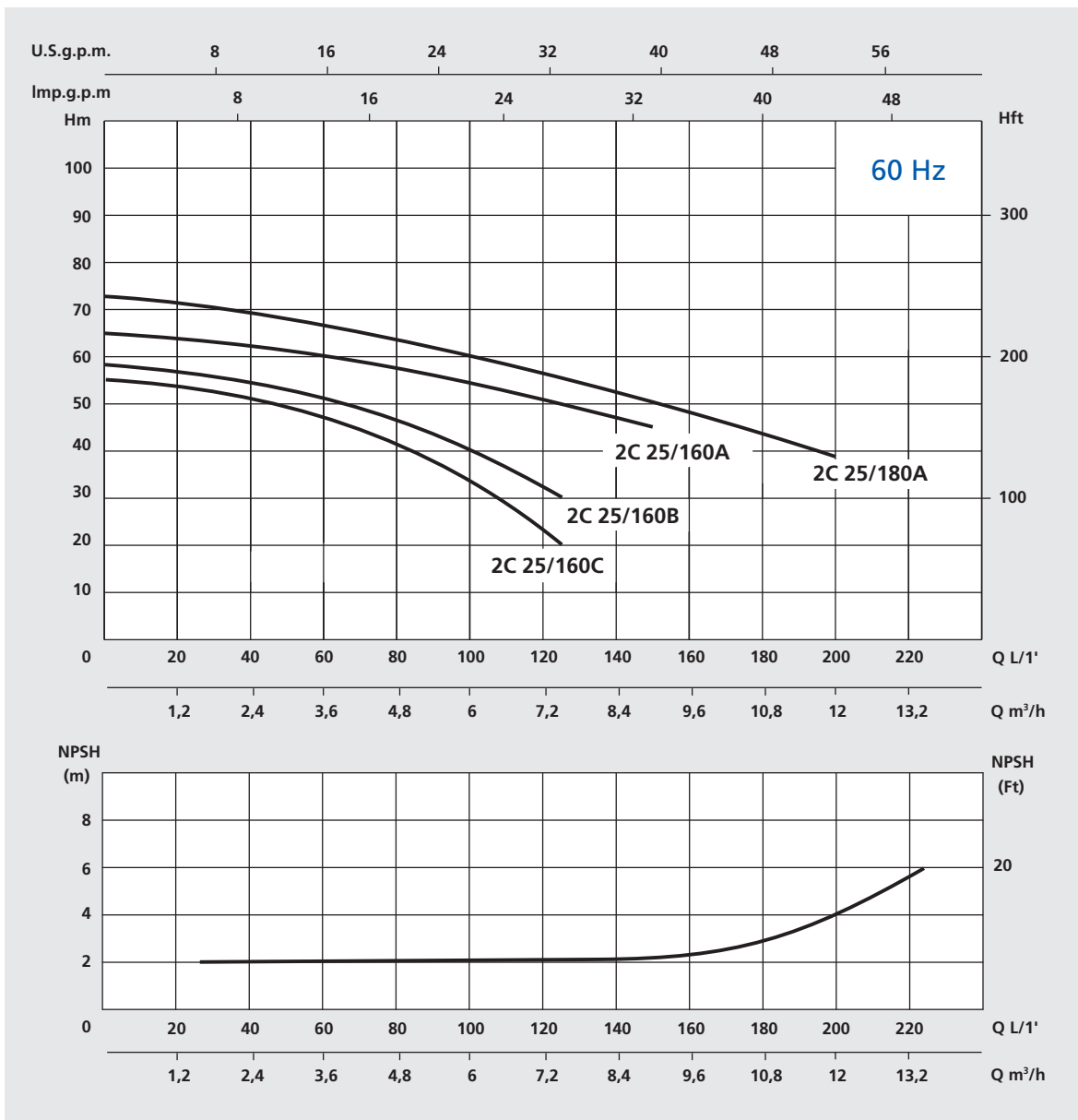
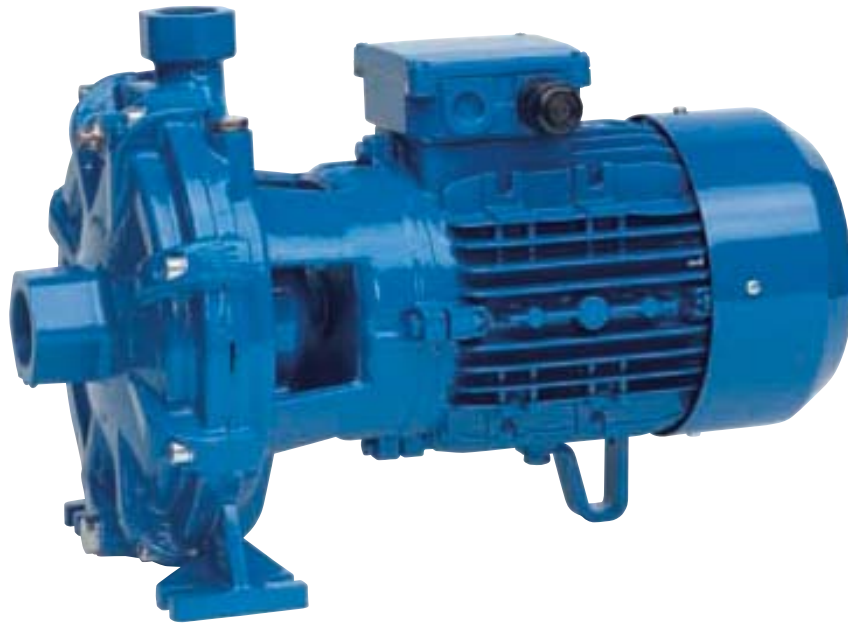
TWIN IMPELLER CENTRIFUGAL PUMPS

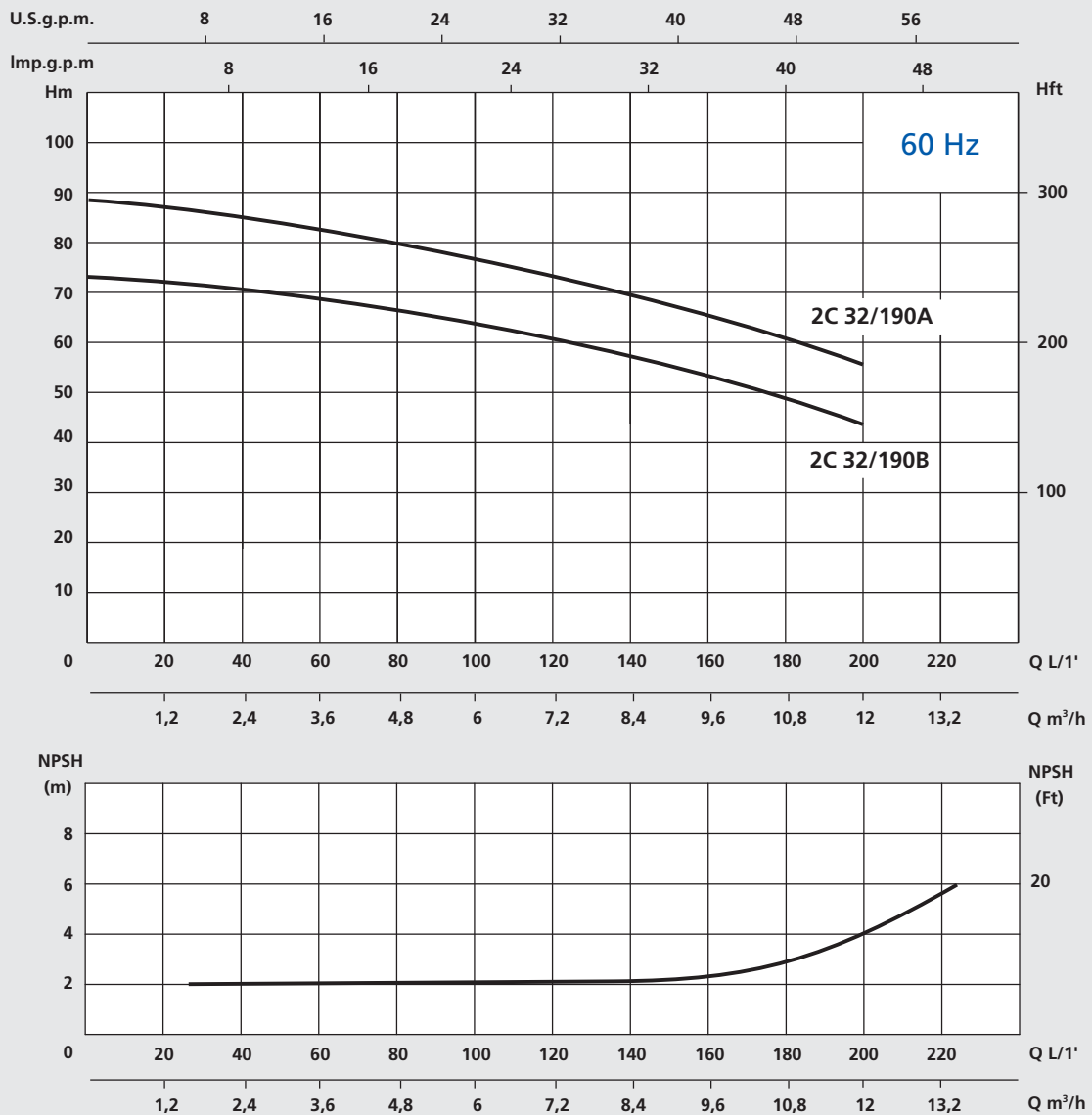
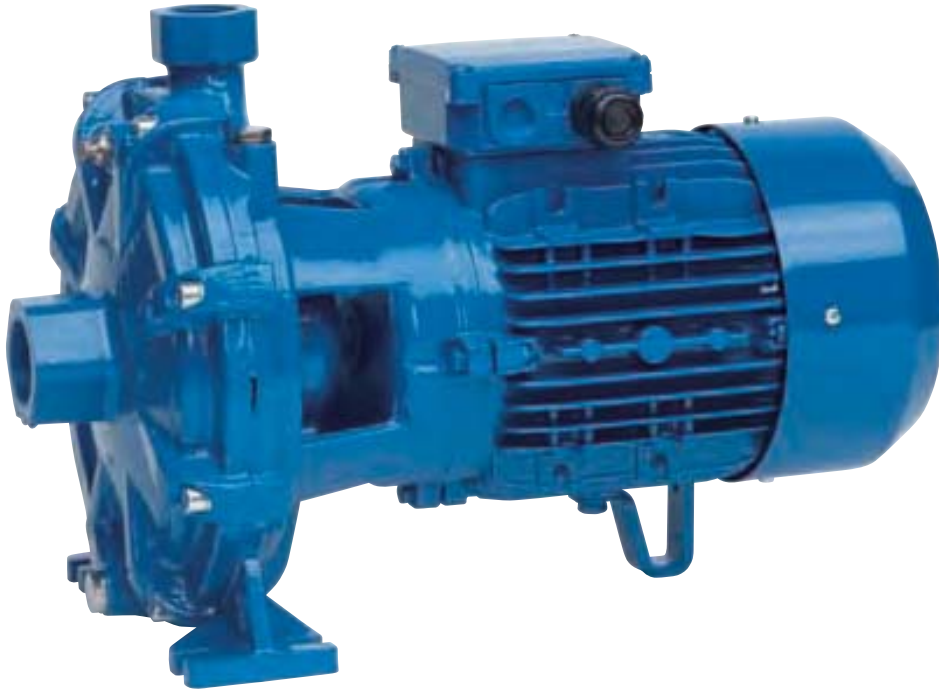
2C

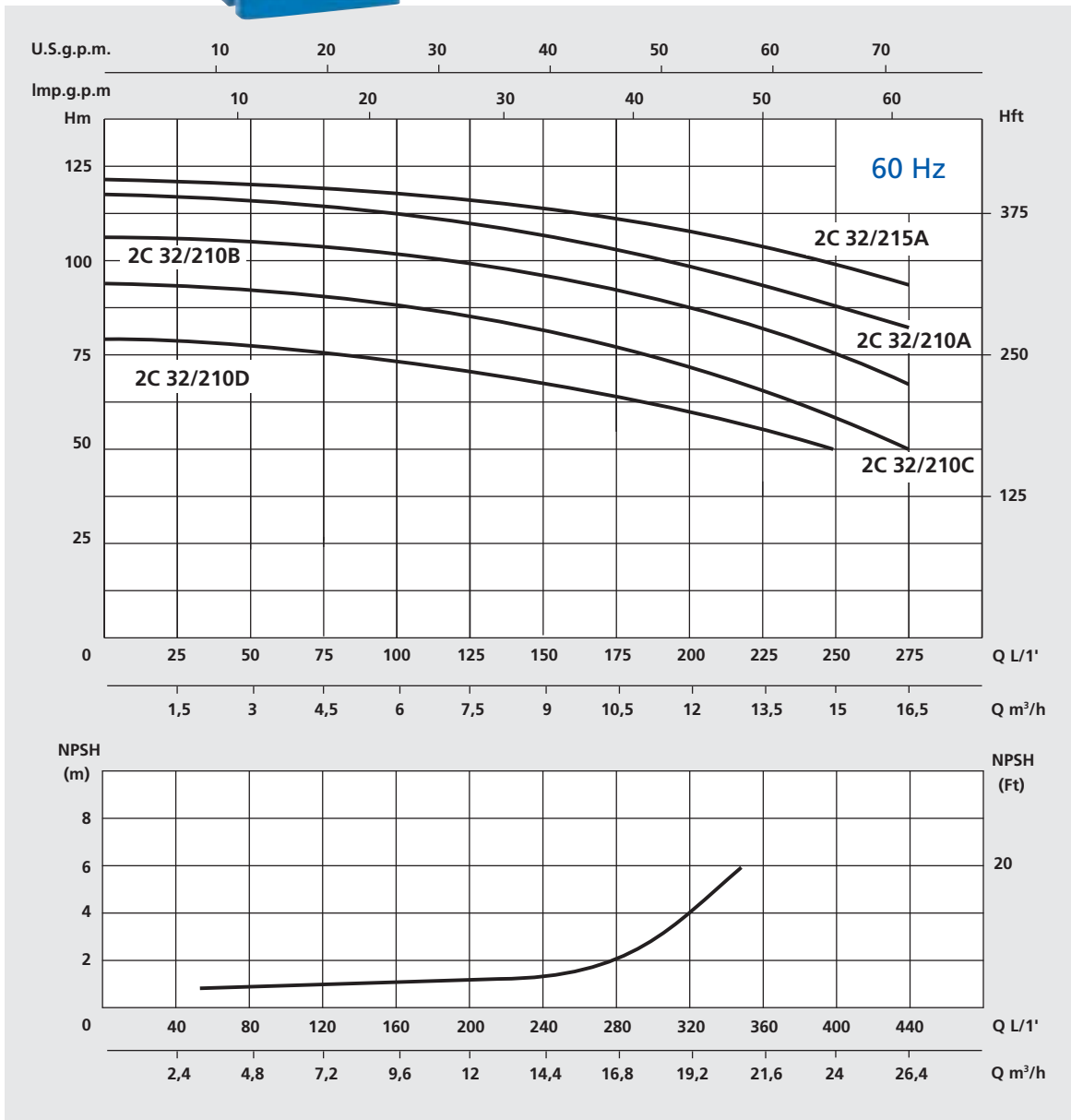


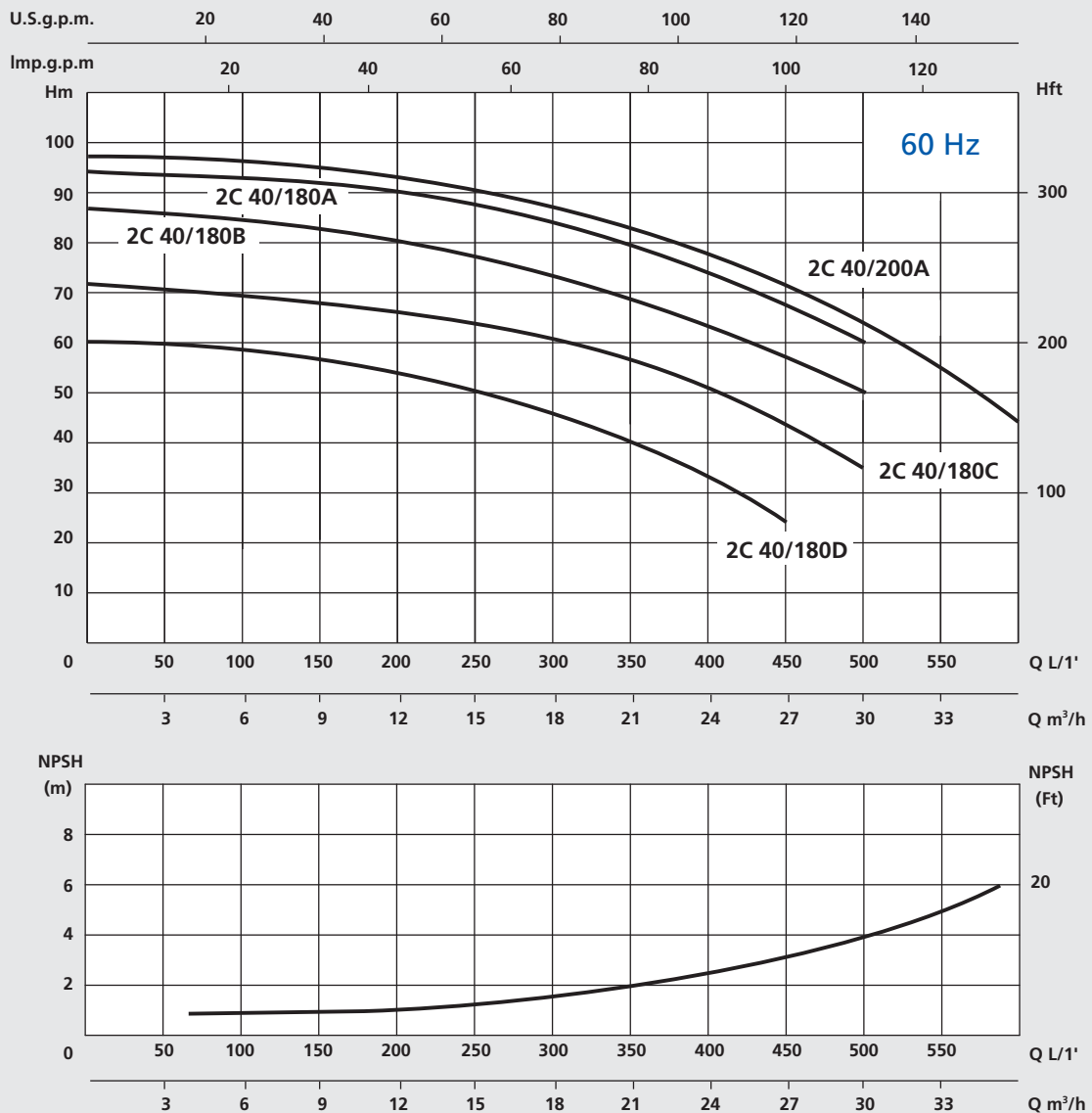
DIMENSIONS AND WEIGHTS

TIPO - TYPE	DIMENSIONS mm												DIMENSIONS mm 			Weight Kg
	A	B	C	D	E	F	G	H	H1	N	DNA	DNM	P	L	H	
<i>Three-phase</i>																
2C 25/160C	95	50	400	208	168	10	222	265	120	85	1"¼	1"	230	412	310	23,5
2C 25/160B	95	50	432	208	168	10	222	265	120	85	1"¼	1"	230	412	310	26
2C 25/160A	108,5	46	440	230	190	12	246	290	132	92,5	1"¼	1"	300	530	460	27
2C 25/180A	108,5	46	440	230	190	12	246	290	132	92,5	1"¼	1"	300	530	460	41
2C 32/190B	120	60	485	250	200	15	272	340	160	94	1"½	1"¼	300	530	460	46
2C 32/190A	120	60	495	250	200	15	272	340	160	94	1"½	1"¼	300	530	460	53
2C 32/210D	121	60	530	280	225	15	300	375	160	107	2"	1"¼	330	610	480	58
2C 32/210C	121	60	575	280	225	15	300	375	160	107	2"	1"¼	330	610	480	71
2C 32/210B	121	60	575	280	225	15	300	375	160	107	2"	1"¼	330	610	480	75
2C 32/210A	121	60	575	280	225	15	300	375	160	107	2"	1"¼	355	790	455	83
2C 32/215A	121	60	612	280	225	15	300	375	160	107	2"	1"¼	330	610	480	90
2C 40/180D	126	60	535	280	225	15	300	375	160	116	2"	1"½	330	610	480	60
2C 40/180C	126	60	580	280	225	15	300	375	160	116	2"	1"½	330	610	480	73
2C 40/180B	126	60	580	280	225	15	300	375	160	116	2"	1"½	330	610	480	77
2C 40/180A	126	60	580	280	225	15	300	375	160	116	2"	1"½	330	610	480	85
2C 40/200A	126	60	612	280	225	15	300	375	160	116	2"	1"½	300	680	450	92









APPLICATION

Twin impeller centrifugal water pumps for suction up to 8 mt.

Suitable for civil and industrial purposes and to drain clean and soda water and non-aggressive liquid.

OPERATING CONDITIONS

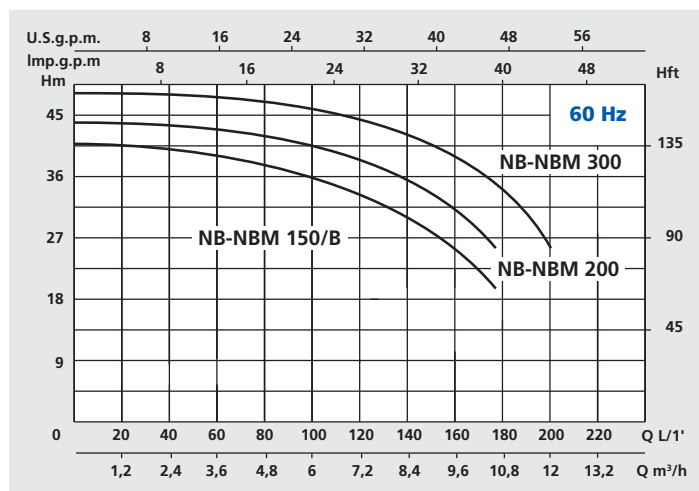
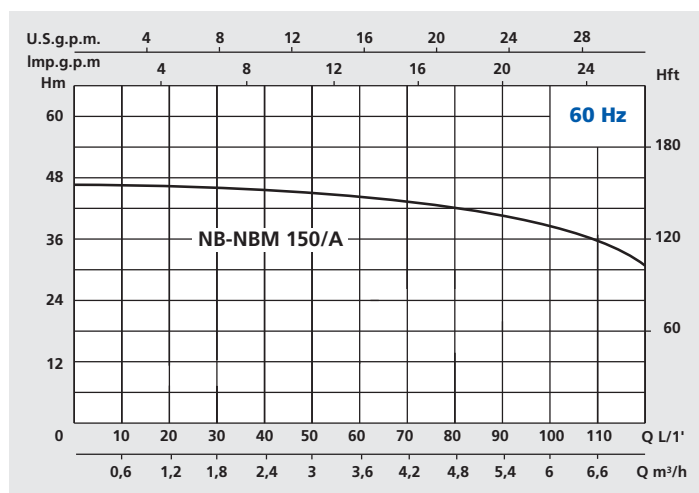
- Liquid temperature up to 35°C
- Ambient temperature up to 40°C
- Total suction lift up to 8 mt.
- Continuous duty

MOTORS

- Two-Pole induction motor (n = 3450 min⁻¹)
- Insulation Class F
- Protection IP 44

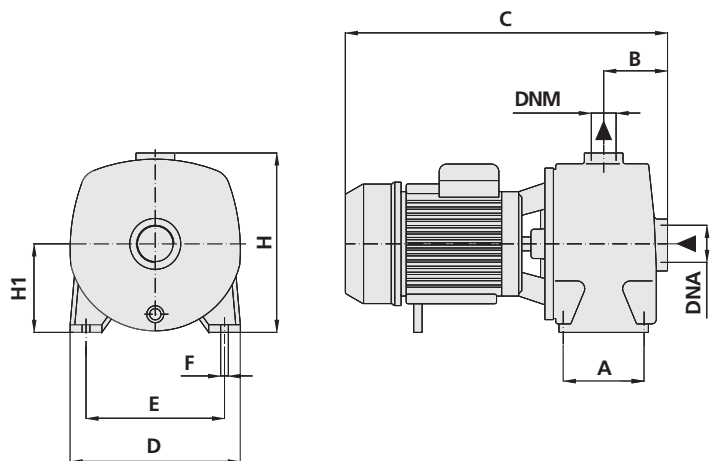
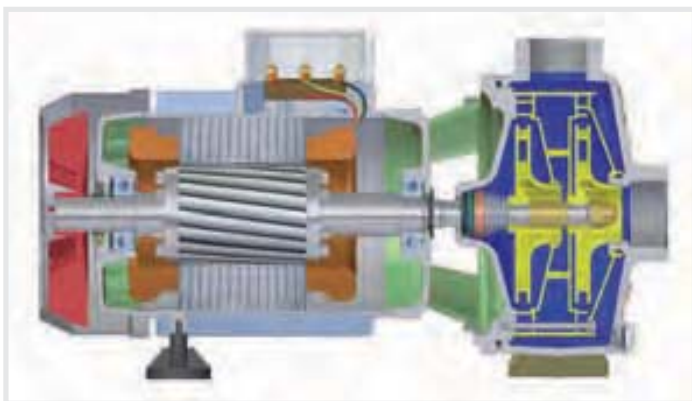
MATERIALS

- Pump body Cast Iron
- Motor Support Cast Iron
- Impeller Noryl
- Diffuser Noryl
- Shaft with rotor Stainless Steel
- Mechanical seal Ceramic/Graphite

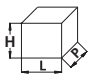


TECHNICAL DATA

TYPE		NOMINAL POWER			INPUT POWER		AMPERE		Q = CAPACITY										
Single-phase	Three-phase	P2		P1	Single-phase	Three-phase	m³/h	0	1,5	3	4,5	5,4	6	7,5	9	10,5	12		
220V-60Hz	220/380V-60Hz	HP	kW	kW	1 x 220V-60Hz	3 x 380V-60Hz	lt/1'	0	25	50	75	90	100	125	150	175	200		
NBM 150/A	NB 150/A	1,5	1,1	2	8,8	4	H (m)	46	45	44	42	40	38	31					
NBM 150/B	NB 150/B	1,5	1,1	2	8,8	4		40	39,5	39	38	37	36	32	27	20			
NBM 200	NB 200	2	1,5	2,3	10,5	4,7		44	43,8	43,5	42,5	41,5	40,5	37	32	25			
NBM 300	NB 300	3	2,2	3	13,5	5,2		49	48	47	46,5	46,3	46	43	38,5	32	25		
Total head in meters w.c.																			



DIMENSIONS AND WEIGHTS

TYPE		DIMENSIONS mm										DIMENSIONS mm 			Weight
Single-phase	Three-phase	A	B	C	D	E	F	H	H1	DNA	DNM	P	L	H	Kg
NBM 150/A	NB 150/A	108	76,5	390	200	160	10	237	114	1"½	1"¼	230	420	260	21
NBM 150/B	NB 150/B	108	76,5	390	200	160	10	237	114	1"½	1"¼	230	420	260	21
NBM 200	NB 200	108	76,5	445	200	160	10	250	114	1"½	1"¼	230	460	260	22
NBM 300	NB 300	108	76,5	445	200	160	10	250	114	1"½	1"¼	230	460	260	23

APPLICATION

Selfpriming Twin impeller centrifugal water pumps for suction up to 8 mt.

Suitable for civil and industrial purposes and to drain clean and soda water and non-aggressive liquid.

OPERATING CONDITIONS

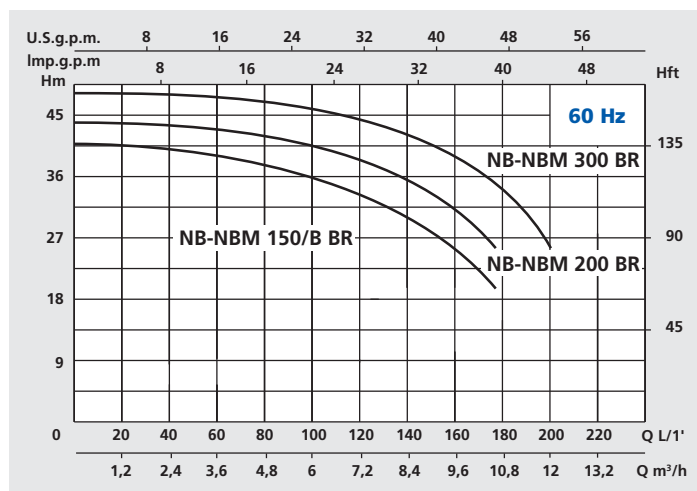
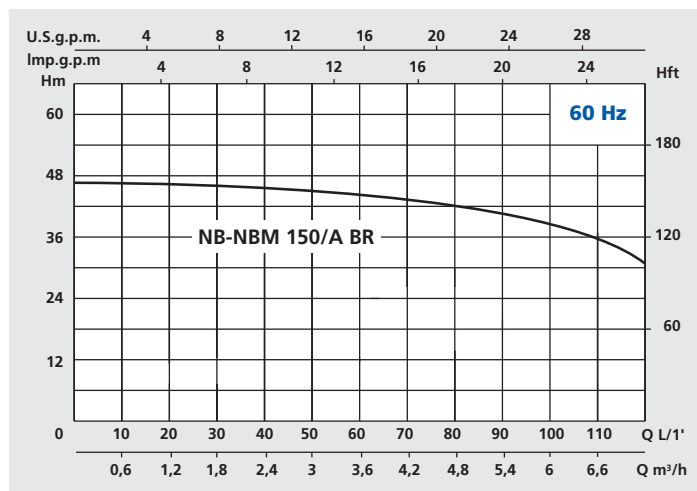
- Liquid temperature up to 35°C
- Ambient temperature up to 40°C
- Total suction lift up to 8 mt.
- Continuous duty

MOTORS

- Two-Pole induction motor (n = 3450 min⁻¹)
- Insulation Class F
- Protection IP 44

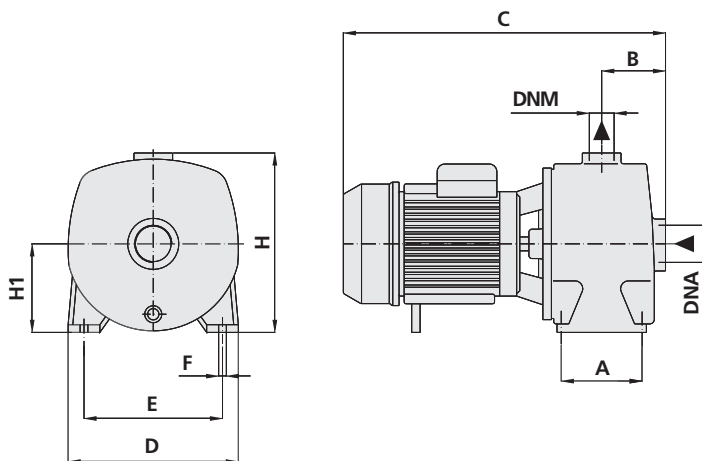
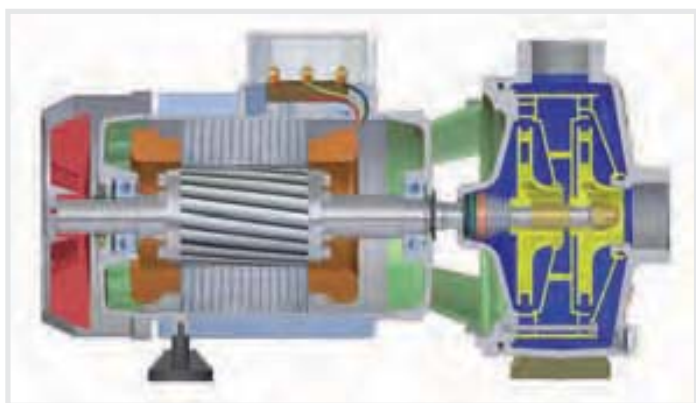
MATERIALS

- Pump body Cast Iron
- Motor Support Cast Iron
- Impeller Bronze
- Diffuser Noryl
- Shaft with rotor Stainless Steel
- Mechanical seal Ceramic/Graphite



TECHNICAL DATA

TYPE		NOMINAL POWER			INPUT POWER		AMPERE		Q = CAPACITY										
Single-phase	Three-phase	P2		P1	Single-phase	Three-phase	m³/h	0	1,5	3	4,5	5,4	6	7,5	9	10,5	12		
220V-60Hz	220/380V-60Hz	HP	kW	kW	1 x 220V-60Hz	3 x 380V-60Hz	lt/1'	0	25	50	75	90	100	125	150	175	200		
NBM 150/A BR	NB 150/A BR	1,5	1,1	2	8,8	4	H (m)	46	45	44	42	40	38	31					
NBM 150/B BR	NB 150/B BR	1,5	1,1	2	8,8	4		40	39,5	39	38	37	36	32	27	20			
NBM 200 BR	NB 200 BR	2	1,5	2,3	10,5	4,7		44	43,8	43,5	42,5	41,5	40,5	37	32	25			
NBM 300 BR	NB 300 BR	3	2,2	3	13,5	5,2		49	48	47	46,5	46,3	46	43	38,5	32	25		
Total head in meters w.c.																			



DIMENSIONS AND WEIGHTS

TYPE		DIMENSIONS mm										DIMENSIONS mm			Weight
Single-phase	Three-phase	A	B	C	D	E	F	H	H1	DNA	DNM	P	L	H	Kg
NBM 150/A BR	NB 150/A BR	108	76,5	390	200	160	10	237	114	1"½	1"¼	230	420	260	21
NBM 150/B BR	NB 150/B BR	108	76,5	390	200	160	10	237	114	1"½	1"¼	230	420	260	21
NBM 200 BR	NB 200 BR	108	76,5	445	200	160	10	250	114	1"½	1"¼	230	460	260	22
NBM 300 BR	NB 300 BR	108	76,5	445	200	160	10	250	114	1"½	1"¼	230	460	260	23

APPLICATION

Centrifugal single impeller low head water pumps for flow irrigation systems with high flow rates.

Suitable to pump clean water or non-aggressive liquids charged with small solid impurities.

To be used in flow irrigation systems in gardening and agriculture and in industrial fittings.

OPERATING CONDITIONS

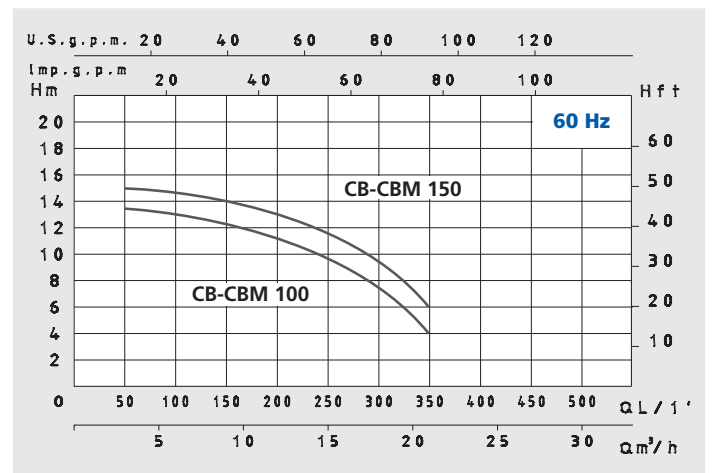
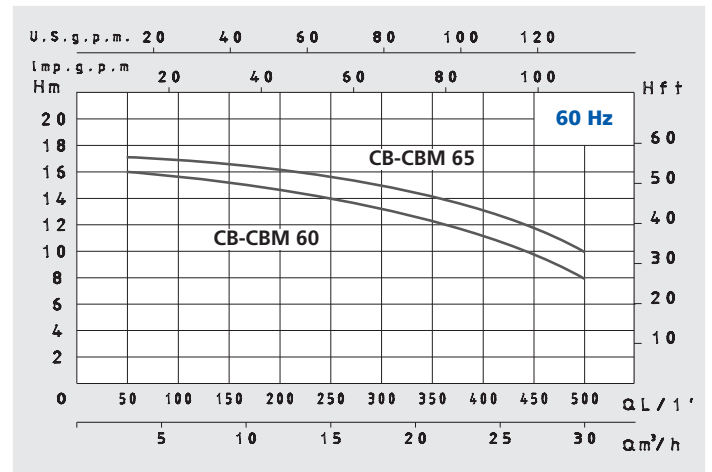
- Max. working pressure 6 bar
- Liquid temperature up to 90°C
- Ambient temperature up to 40°C
- Total suction lift up to 7 mt.
- Continuous duty

MOTOR

- Two-Pole induction motor (n = 3450 min⁻¹)
- Insulation Class F
- Protection IP 44

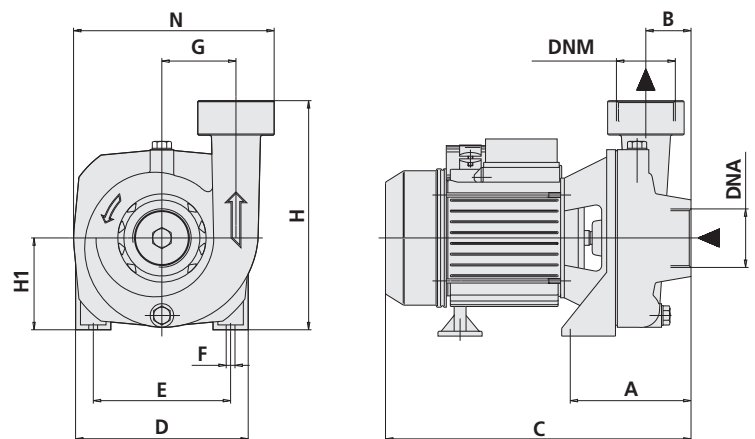
MATERIALS

- Pump body Cast Iron
- Motor Support Cast Iron
- Impeller Cast Iron
- Shaft with rotor Stainless Steel
- Mechanical seal Ceramic/Graphite

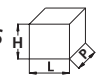


TECHNICAL DATA

TYPE		NOMINAL POWER			INPUT POWER		AMPERE		Q = CAPACITY									
Single-phase	Three-phase	P2		P1	Single-phase	Three-phase	m ³ /h	3	6	9	12	15	18	21	24	27	30	
		HP	kW	kW	1 x 220V-60Hz	3 x 380V-60Hz	lt/1'	50	100	150	200	250	300	350	400	450	500	
220V-60Hz	220/380V-60Hz						<i>Total head in meters w.c.</i>											
CBM 60	CB 60	1,5	1,1	1,9	7,5	3,1	H (m)	16	15,7	15,3	15	14	13	12	11	10	8	
CBM 65	CB 65	2	1,5	2,3	9,3	4,2		17	16,8	16,7	16,5	15,8	15	14	13	12	10	
CBM 100	CB 100	1	0,75	1,1	5,3	2,2		13	12,8	12,2	11,5	10	7	4				
CBM 150	CB 150	1,5	1,1	1,8	6,8	3		15	14,8	14,3	13,8	13	9	6				



DIMENSIONS AND WEIGHTS

TYPE		DIMENSIONS mm											DIMENSIONS mm 			Weight	
Single-phase	Three-phase	A	B	C	D	E	F	G	H	H1	N	DNA	DNM	P	L	H	Kg
CBM 60	CB 60	170	67	350	155	125	9	78	220	92	200	2"	2"	220	365	260	19
CBM 65	CB 65	170	67	350	155	125	9	78	220	92	200	2"	2"	220	365	260	20
CBM 100	CB 100	125	45	310	176	140	9	80	240	94	205	2"	2"	230	355	280	16
CBM 150	CB 150	125	45	310	176	140	9	80	240	94	205	2"	2"	230	355	280	17

APPLICATION

Centrifugal irrigation pumps with single impeller.

Suitable to pump clean water or non-aggressive liquids charged with small solid impurities.

To be used in flow irrigation systems in gardening and agriculture and in industrial fittings.

OPERATING CONDITIONS

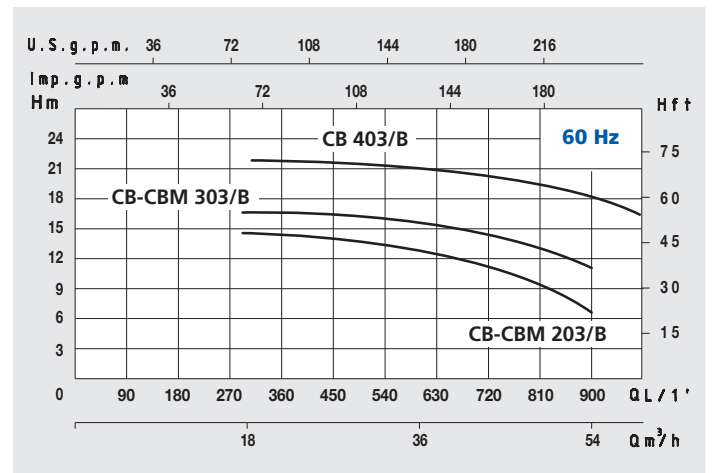
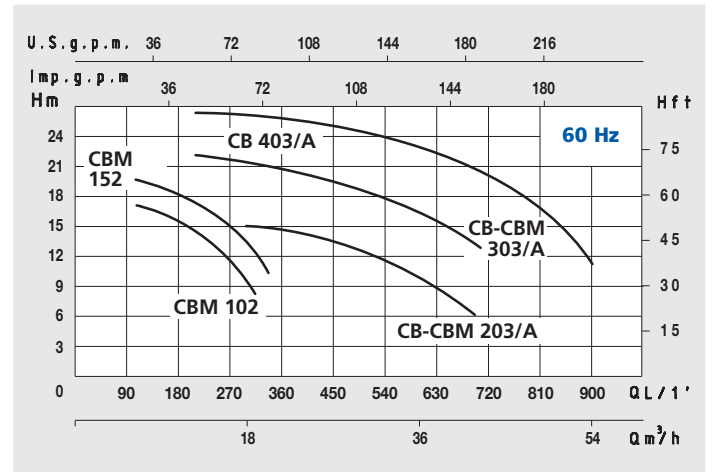
- Max. working pressure 10 bar
- Liquid temperature up to 90°C
- Ambient temperature up to 40°C
- Total suction lift up to 7 mt.
- Continuous duty

MOTOR

- Two-Pole induction motor ($n = 3450 \text{ min}^{-1}$)
- Insulation Class F
- Protection IP 55

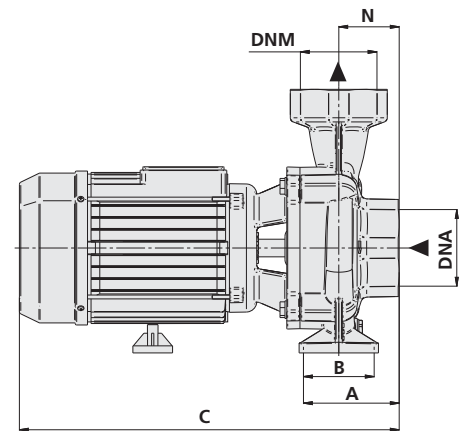
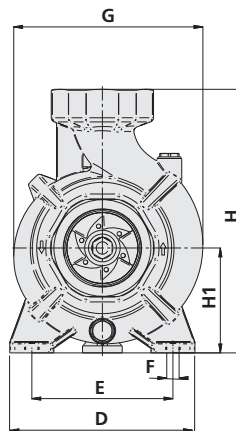
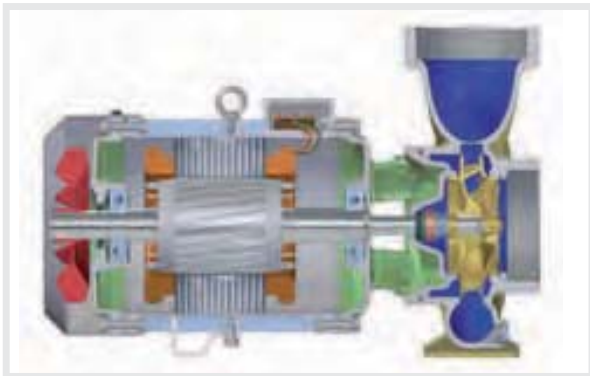
MATERIALS

- Pump body Cast Iron
- Motor Support Cast Iron
- Impeller Cast Iron
- Impeller Cast Iron
- Shaft with rotor Stainless Steel
- Mechanical seal Ceramic/Graphite



TECHNICAL DATA

TYPE		NOMINAL POWER			AMPERE		Q = CAPACITY												
Single-phase	Three-phase	P2		P1	Single-phase	Three-phase	Total head in meters w.c.												
		HP	kW	kW			m³/h	6	12	18	24	30	42	54	72	96	108		
220V-60Hz	220/380V-60Hz				1 x 220V-60Hz	3 x 380V-60Hz	lt/1'	100	200	300	400	500	700	900	1200	1600	1800		
CBM 102		1	0,8	1,15	5,5		H (m)	17	13,5	7,5									
CBM 152		1,5	1,1	1,45	7			19,5	16	10,5									
CBM 203/A	CB 203/A	2	1,5	2,4	10,7	5			16	15	14	12,5	6						
CBM 203/B	CB 203/B	2	1,5	2,4	10,7	5					13,9	13,5	13	10,5	7				
CBM 303/A	CB 303/A	3	2,2	3,3	15	5,5					22	21	20	18,5	13				
CBM 303/B	CB 303/B	3	2,2	3,3	15	5,5						17,4	17,2	17	15	11,5			
	CB 403/A	4	3	4,5		7,3						26,5	26	25	23,5	18,5	11		
	CB 403/B	4	3	4,5		7,3							21,4	21,2	20,5	19	16,5	10	



DIMENSIONS AND WEIGHTS

TYPE		DIMENSIONS mm												DIMENSIONS mm			Weight
Single-phase	Three-phase	A	B	C	D	E	F	G	H	H1	N	DNA	DNM	P	L	H	Kg
CBM 102		144	-	332	182	140	10	193	247	97	69	2"	2"	210	350	270	16
CBM 152		144	-	332	182	140	10	193	247	97	69	2"	2"	210	350	270	24
CBM 203/A	CB 203/A	96	55	433	210	160	14	215	300	120	69	3"	3"	250	450	330	29
CBM 203/B	CB 203/B	96	55	433	210	160	14	222	300	120	69	3"	3"	250	450	330	29
CBM 303/A	CB 303/A	96	55	433	210	160	14	215	300	120	69	3"	3"	250	450	330	32
CBM 303/B	CB 303/B	96	55	433	210	160	14	222	300	120	69	3"	3"	250	450	330	32
	CB 403/A	96	55	496	210	160	14	215	300	120	69	3"	3"	250	520	350	33
	CB 403/B	96	55	496	210	160	14	222	300	120	69	3"	3"	250	450	330	33

APPLICATION

Centrifugal irrigation pumps with single impeller.

Suitable to pump clean water or non-aggressive liquids charged with small solid impurities.

To be used in flow irrigation systems in gardening and agriculture and in industrial fittings.

OPERATING CONDITIONS

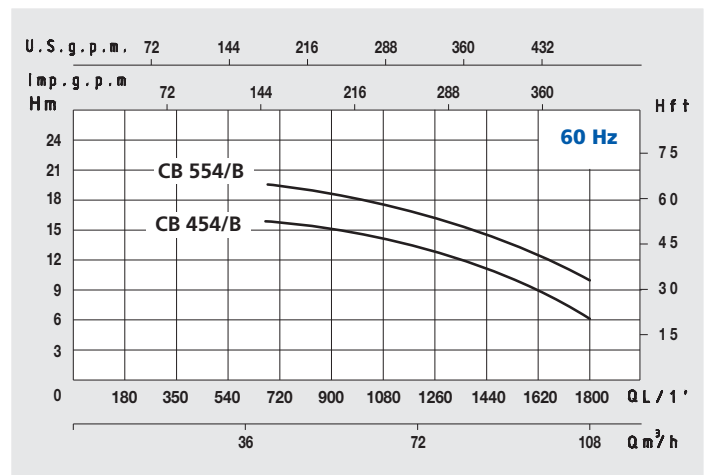
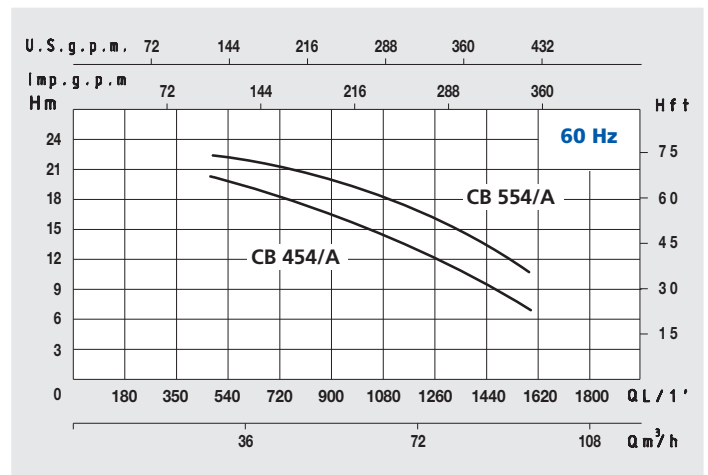
- Max. working pressure 10 bar
- Liquid temperature up to 90°C
- Ambient temperature up to 40°C
- Total suction lift up to 7 mt.
- Continuous duty

MOTOR

- Two-Pole induction motor ($n = 3450 \text{ min}^{-1}$)
- Insulation Class F
- Protection IP 55

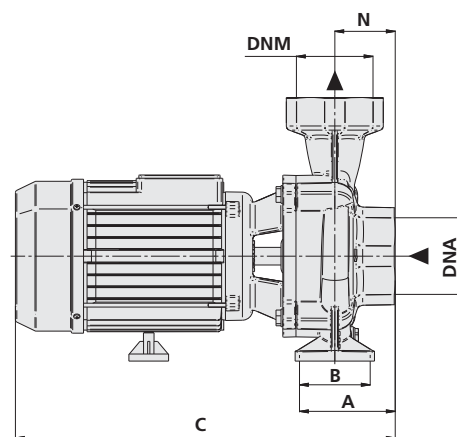
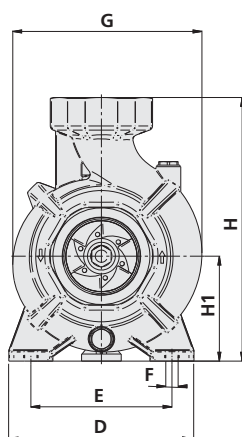
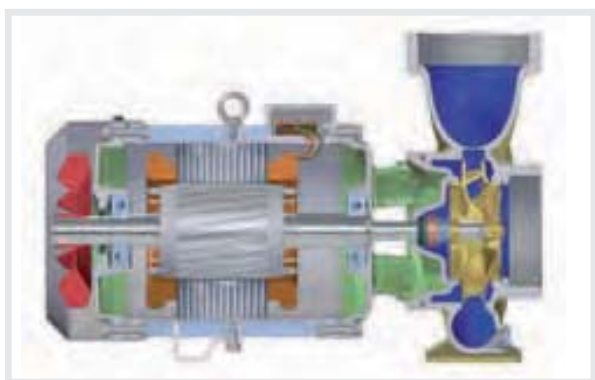
MATERIALS

- | | |
|--------------------|------------------|
| - Pump body | Cast Iron |
| - Motor Support | Cast Iron |
| - Impeller | Cast Iron |
| - Impeller | Cast Iron |
| - Shaft with rotor | Stainless Steel |
| - Mechanical seal | Ceramic/Graphite |



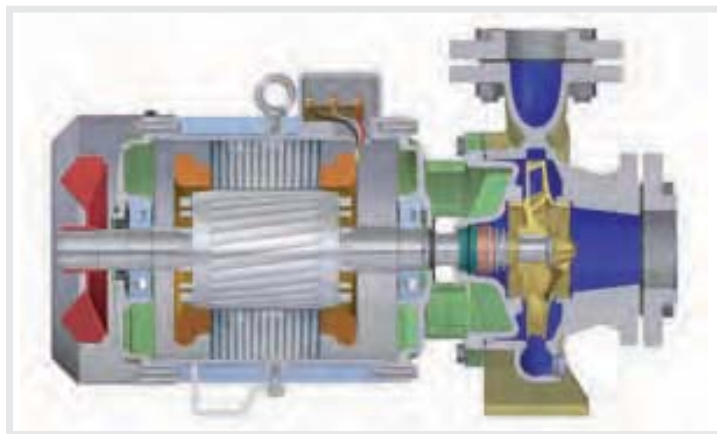
TECHNICAL DATA

TYPE	NOMINAL POWER		INPUT POWER	AMPERE	Q = CAPACITY											
	P2				P1	Three-phase										
Three-phase	HP	kW	kW	Three-phase	m ³ /h	30	36	42	54	72	84	90	96	102	108	
220/380V-60Hz	HP	kW	kW	3 x 380V-60Hz	lt/1'	500	600	700	900	1200	1400	1500	1600	1700	1800	
CB 454/A	4	3	4,5	7,3	H (m)	19	18,8	18,4	16,7	13	10	8,5	7			
CB 454/B	4	3	4,5	7,3				15,5	15,3	14,8	12,5	10,5	9,5	8,5	7,5	6
CB 554/A	5,5	4	5,7	9			22,5	22,3	22	20,8	17,5	14,5	13	11		
CB 554/B	5,5	4	5,7	9				18,5	18,3	17,9	16	14	13	12	11	10



DIMENSIONS AND WEIGHTS

TYPE	DIMENSIONS mm												DIMENSIONS mm			Weight Kg
	A	B	C	D	E	F	G	H	H1	N	DNA	DNM	P	L	H	
Three-phase																
CB 454/A	97,5	60	495	220	165	14	245	330	132	69	4"	4"	270	520	350	42
CB 454/B	97,5	60	495	220	165	14	245	330	132	69	4"	4"	270	520	350	42
CB 554/A	97,5	60	495	220	165	14	245	330	132	69	4"	4"	270	520	350	43
CB 554/B	97,5	60	495	220	165	14	245	330	132	69	4"	4"	270	520	350	43



TECHNICAL DATA

TYPE		NOMINAL POWER P2		INPUT POWER P1	AMPERE		Q = CAPACITY									
Single-phase	Three-phase	HP	kW	kW	Single-phase	Three-phase	0	6	7,5	9	12	15	18	21	24	27
220V-60Hz	220/380V-60Hz				1 x 220V 60Hz	3 x 380V 60Hz	0	100	125	150	200	250	300	350	400	450
Total head in meters w.c.																
CSM 32-160 C	CS 32-160 C	2	1,5	2,7	12	4,8		25,5	25,3	25	24	23	21,5	20	18	15,5
CSM 32-160 B	CS 32-160 B	3	2,2	3,3	15	5		28,8	28,5	28	27	26	24,5	23	21,5	18,5
	CS 32-160 A	4	3	4,3		7		36,5	36	35,5	34,5	33	31,5	30	28,5	26
	CS 32-200 C	5,5	4	5,7		8,8		40,7	40,5	40	39,5	39	38	36,5	35	33
	CS 32-200 B	7,5	5,5	8,6		14		55,7	55,5	55	54,5	54	53	51,5	50	48
	CS 32-200 A	10	7,5	9,5		15		60,7	60,5	60	59,5	58,5	57	55,5	54	52
	CS 32-250 C	12,5	9,2	12		19			70	69,5	68,5	67,5	66	64,5	62,5	59,5
	CS 32-250 B	15	11	13,5		21,5			81	80,5	79,5	78,5	77	75,5	73,5	71
	CS 32-250 A	20	15	15,5		25			90,5	90	89,5	89	87,5	86	84	81,5
	CS 40-160 B	4	3	4,8		7,5				32,7	32,5	32,3	32	31,5	30,5	29,5
	CS 40-160 A	5,5	4	5,7		8,8				36,2	36	35,8	35,5	35	34	33
	CS 40-200 B	7,5	5,5	8,6		14				46,5	46	45,5	45	44,5	43,5	42,5
	CS 40-200 A	10	7,5	11,3		17,5				56	55,5	55	54,5	54	53	52
	CS 40-250 B	15	11	15,5		24,5				74	73,9	73,8	73,7	73,5	73	72
	CS 40-250 A	20	15	20		32				91,5	91,4	91,3	91,2	91	90,5	90
	CS 50-160 D	4	3	4,8		7,5								25	24,5	24
	CS 50-160 C	5,5	4	5,7		8,8								29,5	29,2	28,8
	CS 50-160 B	7,5	5,5	8,2		13,2								37	36,8	36,5
	CS 50-160 A	10	7,5	9,5		15								40	39,8	39,5
	CS 50-200 C	12,5	9,2	12		19									48,7	48,5
	CS 50-200 B	15	11	13,5		21,5									52,7	52,5
	CS 50-200 A	20	15	18		29									64,5	64
	CS 50-250 C	20	15	20		32										71,3
	CS 50-250 B	25	18,5	23		36,5										80,8
	CS 50-250 A	30	22,5	27		43										90
	CS 65-160 E	7,5	5,5	8		13										
	CS 65-160 D	10	7,5	10		16										
	CS 65-160 C	12,5	9,2	11,5		18,5										
	CS 65-160 B	15	11	13,5		21,5										
	CS 65-160 A	20	15	16		26										
	CS 65-200 C	20	15	20		32										
	CS 65-200 B	25	18,5	23		36,5										
	CS 65-200 A	30	22,5	27		43										
	CS 65-250 B	40	30	37		58										
	CS 65-250 A	50	37	46		72										
	CS 80-160 A	30	22,5	22		35										
	CS 80-200 B	40	30	33,5		54										
	CS 80-200 A	50	37	39		62										

APPLICATION

Centrifugal, monoblock and single-impeller electrical pumps with pump body, with connection to the motor by means of a support unit. These machines are ideal for pumping clean water and other chemically and mechanically non-aggressive liquids. These system can be installed in any position, provided the inlet opening faces upwards, and, thanks to their special design - which allows back pull out of the motor and the rotary parts of the pump and subsequent re-assembly without having to remove the pump body and the pipes connected to it - can be easily and conveniently used for a wide variety of applications in civil, agricultural, industrial or general plant uses. Water supply, sp ray or flowing irrigation, a utoclave feed, high pressure system, heating, conditioning and any other general service requiring transfer of clean liquids.

Q = CAPACITY																								
30	33	36	39	42	48	54	60	66	72	78	84	96	108	120	132	144	156	168	180	195	210	225	240	
500	550	600	650	700	800	900	1000	1100	1200	1300	1400	1600	1800	2000	2200	2400	2600	2800	3000	3250	3500	3750	4000	
Total head in meters w.c.																								
15,5																								
23,5																								
31,5	29	26																						
46,5	44,5	42,5																						
49,5	47,5	45,5																						
56	51	45																						
67,5	63,5	58																						
78	74	68,5																						
28	27	25,5	23	21																				
32	31	29,5	28	26	22																			
41,5	40,5	39,5	38,5	37	34,5	31,5																		
51	50	49	48	46,5	44	40,5																		
71	70	68,5	67	65,5	61,5	54																		
89	88	87	85,5	83,5	79,5	73																		
23,5	22,8	22	21,3	20,5	19	17	15	13	10															
28,3	27,8	27,1	26,4	25,6	24	22,5	20,5	18	15,5															
36	35,5	35	34,5	34	32	30,5	28,5	26	23,5	20,5														
39	38,5	38	37,5	37	35	33,5	31,5	29	26,5	23														
48,2	47,8	47,5	47	46,5	45	43,5	42	39,5	37	33														
52,2	51,7	51,2	50,7	50,2	49,2	48	46	43,5	41	38														
63,5	63	62,5	62	61,5	60,5	59,5	58	56,5	54,5	51,5														
71	70,5	70	69,5	68,5	67	65	63	61	58	54														
80,5	80	79,5	79	78,5	77	75	73	70,5	68	65														
89,7	89,3	89	88,5	88	86,5	85	83	81	79	71														
				24,5	24,2	24	23,5	23	22,5	21,5	20,5	18,5	16	12,5										
				28,5	28,2	28	27,5	27	26,5	25,8	25	23	21	18	14									
				32	31,7	31,5	31,2	30,7	30,2	29,7	29	27	25	22	19	16								
				35,5	35	34,8	34,5	34	33,5	33	32,5	31	29	26,5	24	20								
				40	39,5	39	38,5	38	37,5	37	36,5	35,5	33,5	31	28,5	26								
					48,5	48	47,5	47	46,2	45,5	44,5	42,5	40,5	38	34,5	31								
					52,5	52	51,5	51	50,5	50	49	47	45	43	40	36								
					60,5	60	59,5	59	58,5	58	57,5	56	54,5	52,5	49,5	45,5								
					79	78,5	78	77	76	75	74	72	69	66	63	58								
					89,5	89	88,5	87,5	86,5	85,5	84	82,5	80	77	74	70	66							
								38,6	38,5	38,2	38	37,7	37	36,3	35,3	34,2	33	31,6	30	27,8	25	22		
								54,1	54	53,8	53,6	53,1	52,2	51,3	50,4	49,2	47,7	46,2	44,2	41,2	38	33,6	28,5	
								58,8	58,7	58,5	58,3	57,8	57,2	56,3	55,4	54,2	53	51,5	50	48	45	42	39	

OPERATING CONDITIONS

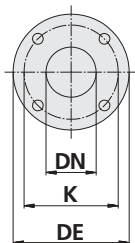
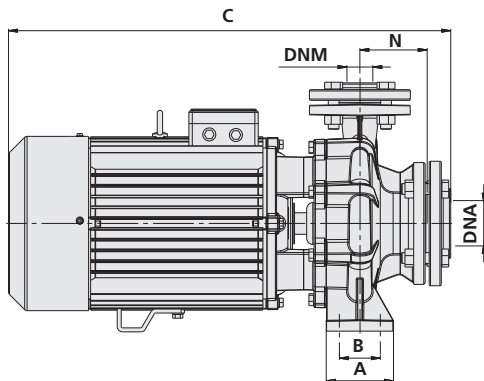
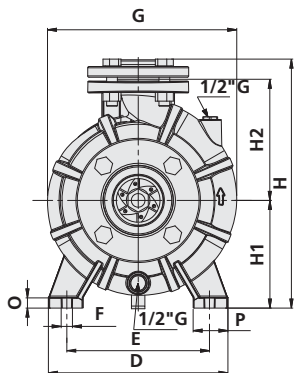
- Max. working pressure 10 bar
- Liquid temperature up to 90°C
- Ambient temperature up to 40°C
- Total suction lift up to 7 mt.
- Continuous duty

MOTOR

- Two-Pole induction motor (n = 3450 min⁻¹)
- Insulation Class F
- Protection IP 55

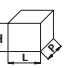
MATERIALS

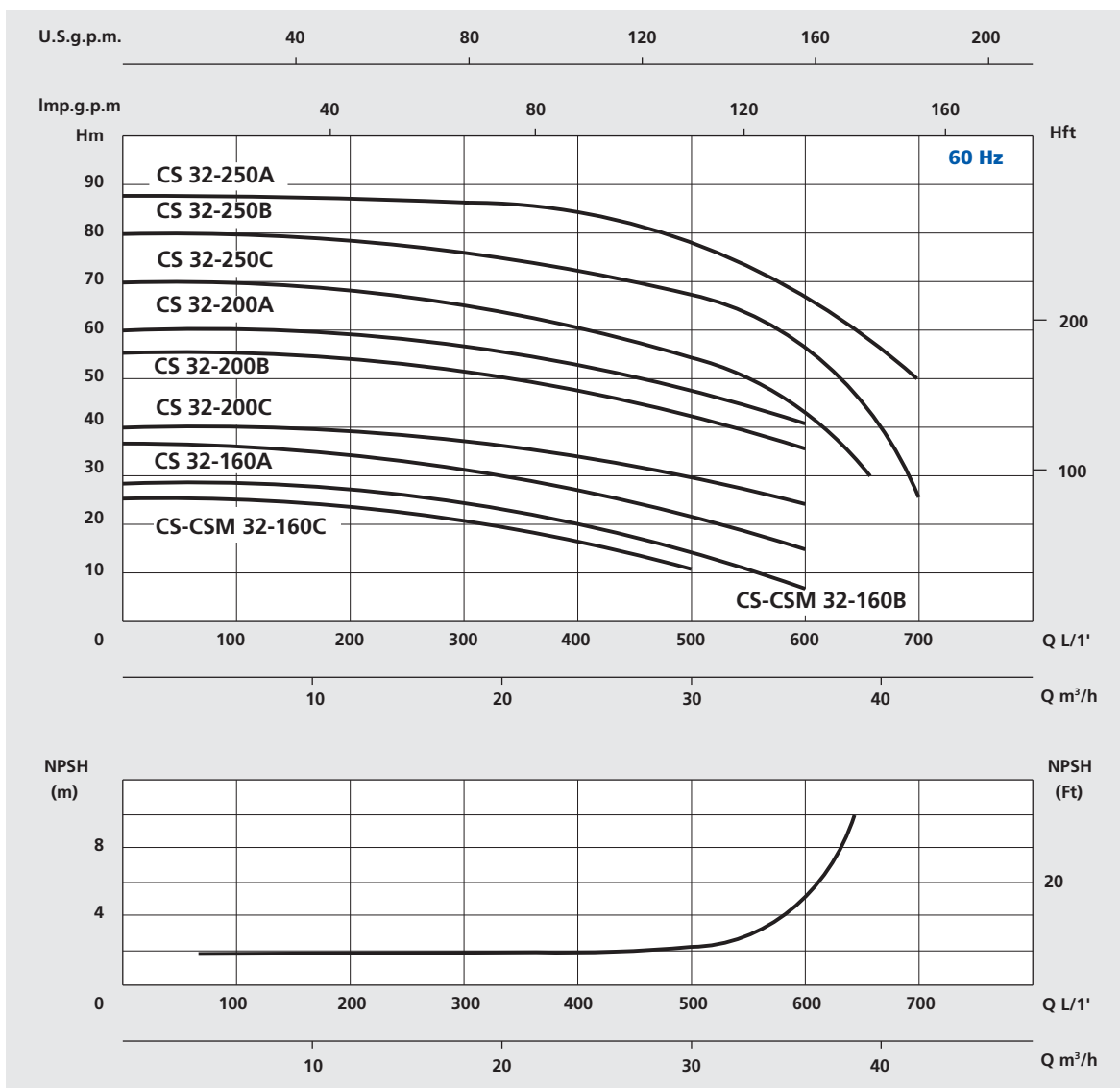
- Pump body in Cast Iron, with flanged inlet and delivery openings (PN 10) and threaded counter-flanges;
- Pump body-motor support in cast iron;
- Impeller in cast iron;
- Shaft in stainless steel;
- Mechanical seal in Ceramic/Graphite

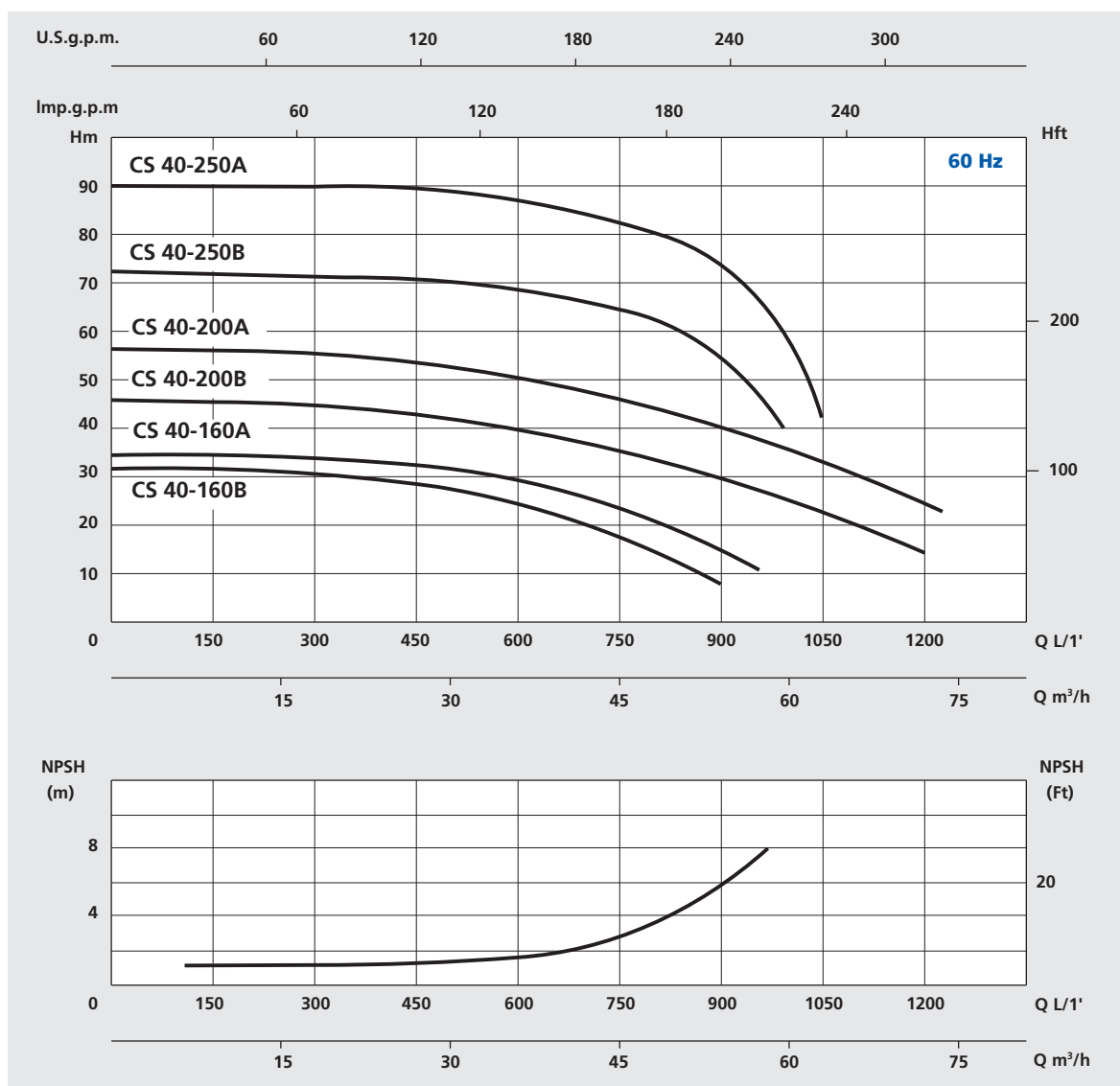
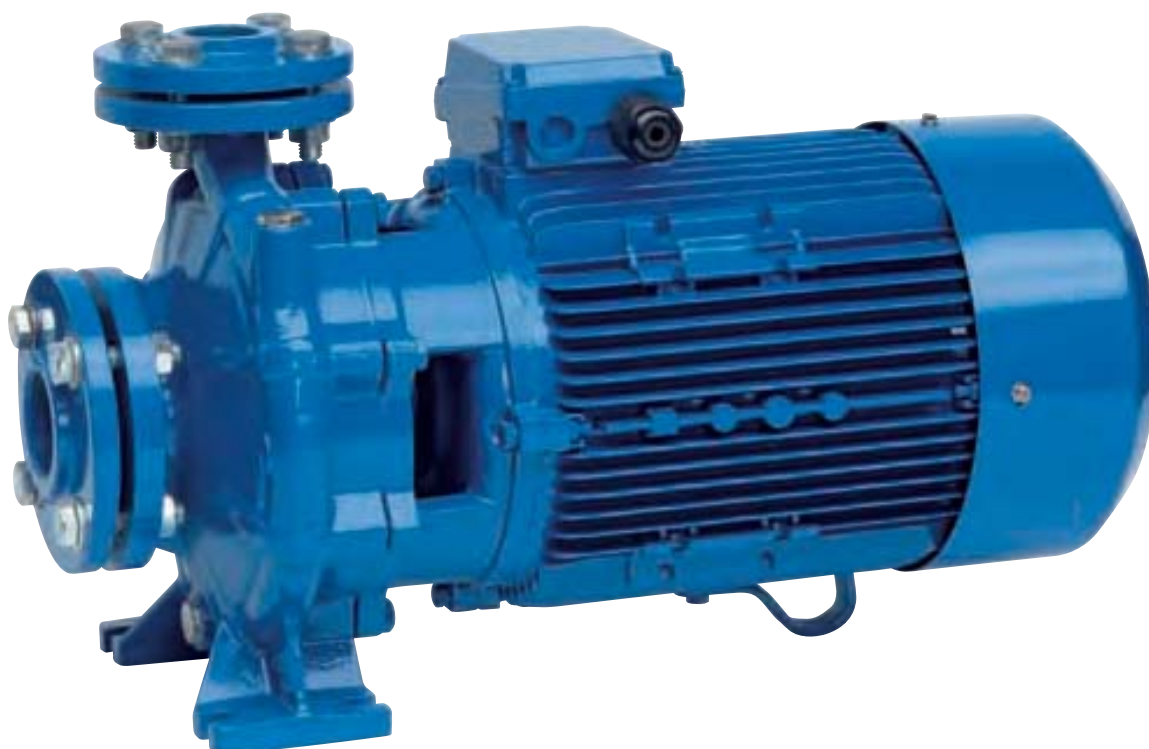


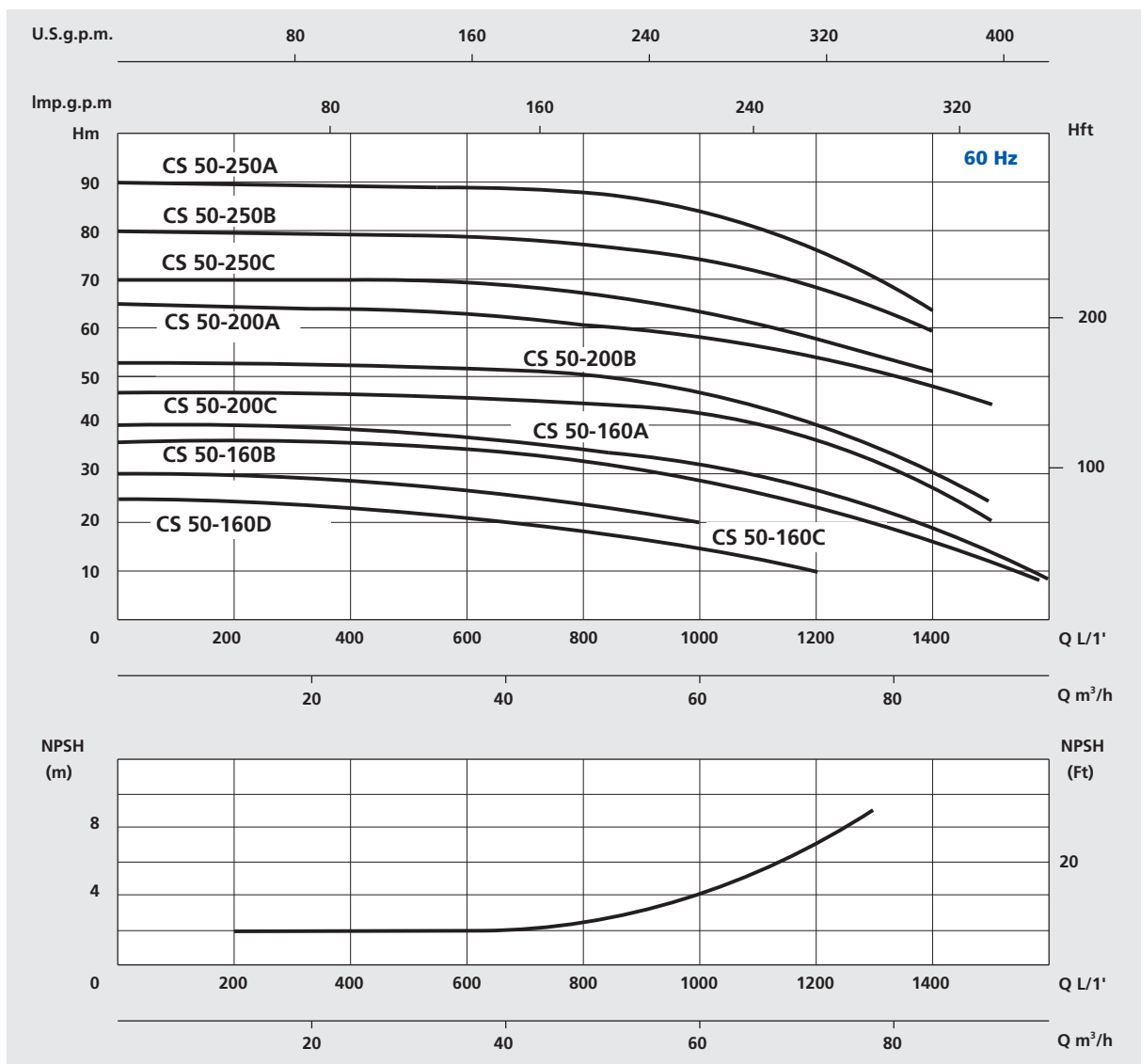
Flanges

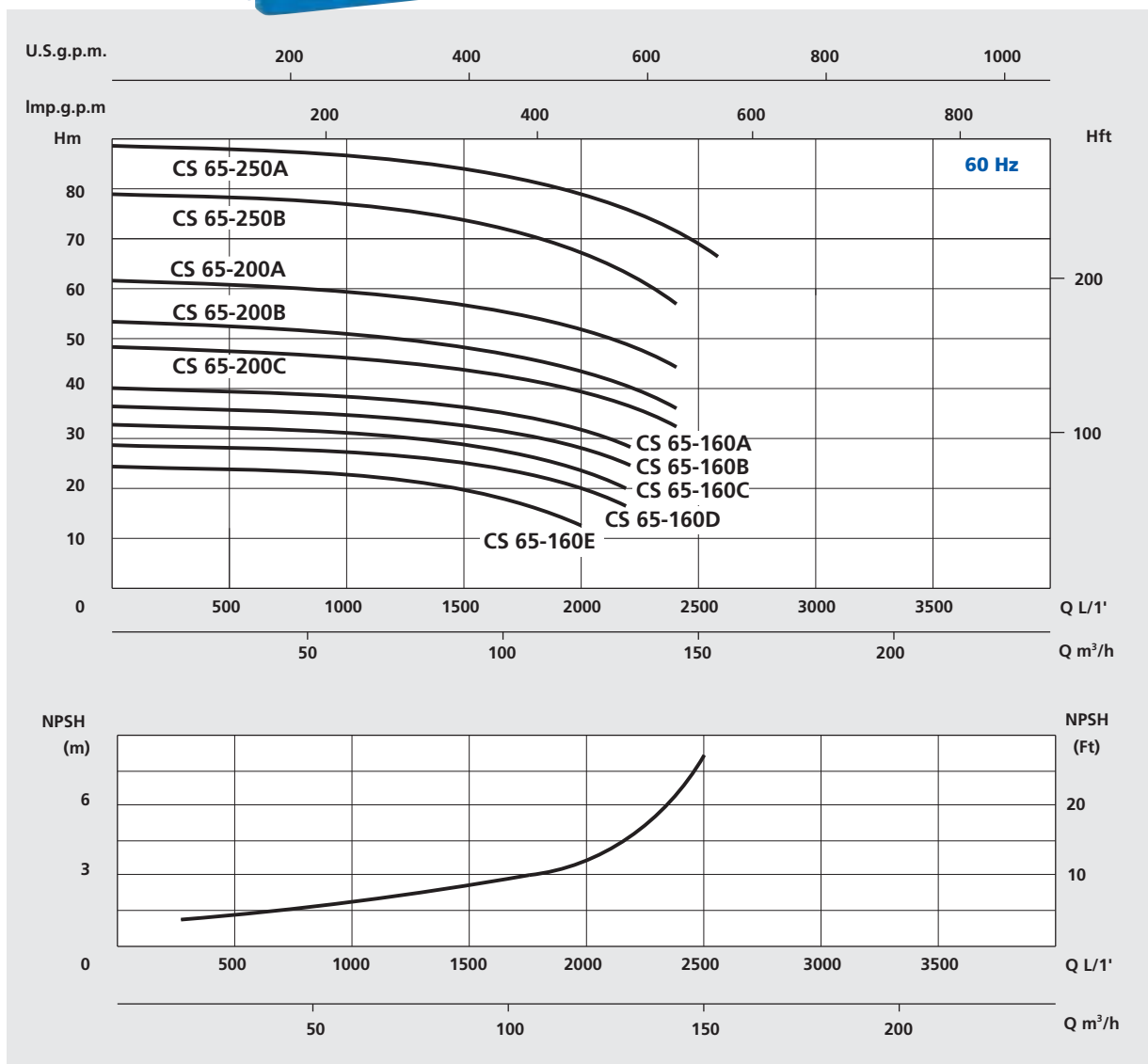
DIMENSIONS mm					
DN	DE	K	holes		
			n°	∅	
32	140	100	4	18	
40	150	110	4	18	
50	165	125	4	18	
65	185	145	4	18	
80	200	160	4	18	
100	220	180	8	18	

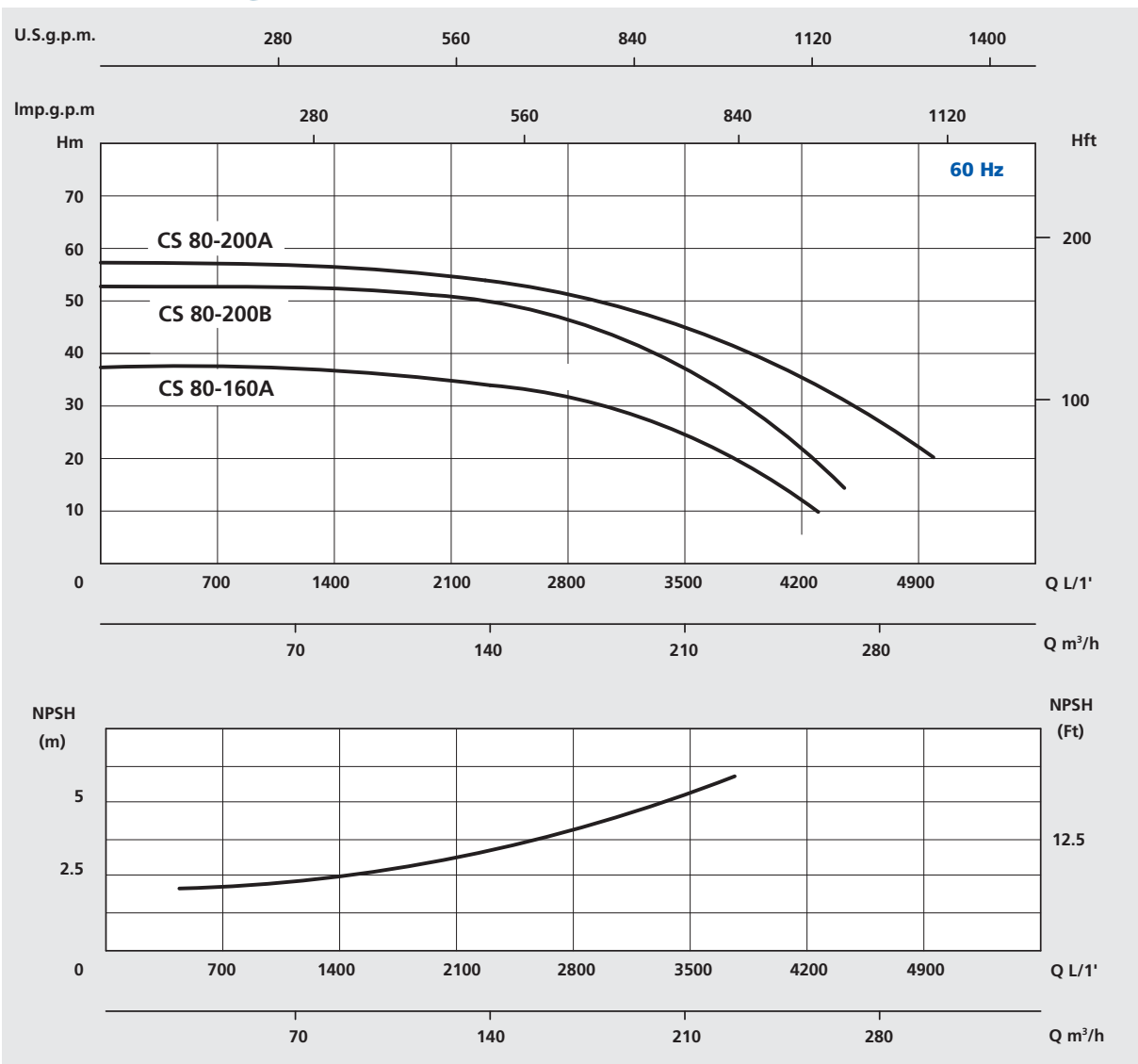
TYPE		DIMENSIONS mm															Dimensions mm 			Weight
Single-phase	Three-phase	A	B	C	D	E	F	G	H	H1	H2	N	O	P	DNA	DNM	P	L	H	Kg
CSM 32-160 C	CS 32-160 C	100	70	480	240	190	15	240	322	132	160	80	13,5	50	50	32	250	520	360	36
CSM 32-160 B	CS 32-160 B	100	70	480	240	190	15	240	322	132	160	80	13,5	50	50	32	250	520	360	39
	CS 32-160 A	100	70	510	240	190	15	240	322	132	160	80	13,5	50	50	32	250	520	360	42
	CS 32-200 C	100	70	530	240	190	15	273	370	160	180	80	15	50	50	32	300	660	390	52
	CS 32-200 B	100	70	630	240	190	15	273	370	160	180	80	15	50	50	32	300	660	390	63
	CS 32-200 A	100	70	630	240	190	15	273	370	160	180	80	15	50	50	32	300	660	390	69
	CS 32-250 C	125	95	745	320	250	15	335	445	180	225	100	18	65	50	32	355	790	455	83
	CS 32-250 B	125	95	745	320	250	15	335	445	180	225	100	18	65	50	32	355	790	455	90
	CS 32-250 A	125	95	745	320	250	15	335	445	180	225	100	18	65	50	32	355	790	455	120
	CS 40-160 B	100	70	550	240	190	15	240	322	132	160	80	15	50	65	40	250	560	370	47
	CS 40-160 A	100	70	550	240	190	15	240	322	132	160	80	15	50	65	40	250	560	370	50
	CS 40-200 B	100	70	640	265	212	15	281	370	160	180	100	15	50	65	40	300	660	390	65
	CS 40-200 A	100	70	640	265	212	15	281	370	160	180	100	15	50	65	40	300	660	390	71
	CS 40-250 B	125	95	745	320	250	15	335	435	180	225	100	18	65	65	40	355	790	455	91
	CS 40-250 A	125	95	745	320	250	15	335	435	180	225	100	18	65	65	40	355	790	455	121
	CS 50-160 D	100	70	570	265	212	15	268	372	160	180	100	15	50	65	50	300	660	390	50
	CS 50-160 C	100	70	570	265	212	15	268	372	160	180	100	15	50	65	50	300	660	390	60
	CS 50-160 B	100	70	650	265	212	15	268	372	160	180	100	15	50	65	50	300	660	390	65
	CS 50-160 A	100	70	650	265	212	15	268	372	160	180	100	15	50	65	50	300	660	390	71
	CS 50-200 C	100	70	745	265	212	15	335	425	160	200	100	18	50	65	50	355	790	455	82
	CS 50-200 B	100	70	745	265	212	15	335	425	160	200	100	18	50	65	50	355	790	455	89
	CS 50-200 A	100	70	745	265	212	15	335	425	160	200	100	18	50	65	50	355	790	455	122
	CS 50-250 C	125	95	750	320	250	15	340	435	180	225	100	18	65	65	50	355	790	455	125
	CS 50-250 B	125	95	795	320	250	15	340	435	180	225	100	18	65	65	50	355	790	455	140
	CS 50-250 A	125	95	825	320	250	15	360	455	180	225	100	18	65	65	50	380	850	465	149
	CS 65-160 E	125	95	610	280	212	15	295	395	160	200	100	18	65	80	65	355	790	455	70
	CS 65-160 D	125	95	610	280	212	15	295	395	160	200	100	18	65	80	65	355	790	455	80
	CS 65-160 C	125	95	750	280	212	15	340	425	160	200	100	18	65	80	65	355	790	455	84
	CS 65-160 B	125	95	750	280	212	15	340	425	160	200	100	18	65	80	65	355	790	455	90
	CS 65-160 A	125	95	750	280	212	15	340	425	160	200	100	18	65	80	65	355	790	455	120
	CS 65-200 C	125	95	745	320	250	15	335	445	180	225	100	18	65	80	65	355	790	455	122
	CS 65-200 B	125	95	790	320	250	15	335	445	180	225	100	18	65	80	65	355	790	455	138
	CS 65-200 A	125	95	825	320	250	15	360	455	180	225	100	18	65	80	65	380	850	465	148
	CS 65-250 B	160	120	825	360	280	18	370	485	200	250	100	18	85	80	65	380	920	485	235
	CS 65-250 A	160	120	825	360	280	18	370	485	200	250	100	18	85	80	65	380	920	485	250
	CS 80-160 A	125	95	870	320	250	15	360	445	180	225	125	18	65	100	80	380	920	485	152
	CS 80-200 B	125	95	900	345	280	15	360	470	180	250	125	18	65	100	80	380	920	485	233
	CS 80-200 A	125	95	900	345	280	15	360	470	180	250	125	18	65	100	80	380	920	485	247











APPLICATION

Centrifugal, monoblock and single-impeller electrical pumps are ideal for pumping clean water and other chemically and mechanically non-aggressive liquids. These system can be installed in any position, provided the inlet opening faces upwards, and, thanks to their special design - which allows back pull out of the motor and the rotary parts of the pump and subsequent re-assembly without having to remove the pump body and the pipes connected to it - can be easily and conveniently used for a wide variety of applications in civil, agricultural, industrial or general plant uses. Water supply, spray or flowing irrigation, autoclave feed, high pressure system, heating, conditioning and any other general service requiring transfer of clean liquids.

OPERATING CONDITIONS

- Liquid temperature up to 90°C
- Ambient temperature up to 40°C
- Total suction lift up to 7 mt.
- Continuous duty

MOTOR

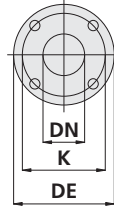
- Two-Pole induction motor (n = 3450 min⁻¹)
- Insulation Class F
- Protection IP 44

MATERIALS

- Pump body Stainless Steel
- Pump flange Stainless Steel
- Impeller Stainless Steel
- Shaft with rotor Stainless Steel
- Mechanical seal Carbon/Silicon carbide

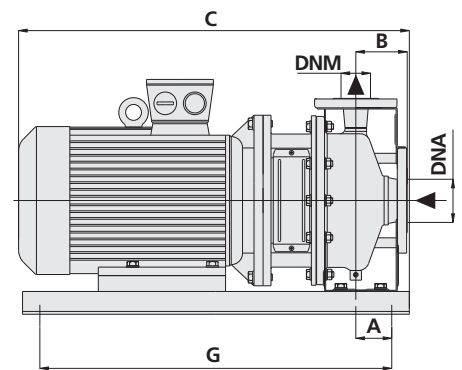
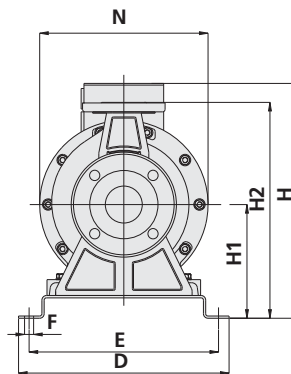
TECHNICAL DATA

TYPE	NOMINAL POWER		INPUT POWER	AMPERE	Q = CAPACITY													
	P2				P1	Three-phase												
Three-phase					m ³ /h	3	6	9	15	21	30	42	54	60	72	78	84	
					lt/1'	50	100	150	250	350	500	700	900	1000	1200	1300	1400	
220/380V-60Hz	HP	kW	kW	3 x 380V-60Hz	Total head in meters w.c.													
CX 32-160/1,5	2	1,5	2,5	4,8	28,1	27,6	26,5	21,7	15									
CX 32-160/2,2	3	2,2	2,9	5,2	35,4	34,4	32,8	27,7	21,6									
CX 32-200/3	4	3	4,1	7,1	40,8	40	38,3	34	27,4									
CX 32-200/4	5,5	4	5,2	9,4	53	51,8	50,3	45,4	38,7									
CX 32-200/5,5	7,5	5,5	8,6	14,2	67	66	64,8	61	56,3									
CX 40-125/2,2	3	2,2	2,9	5,4		20	19,7	19,5	19	16,7								
CX 40-125/3	4	3	4,1	7,4		25,7	25,3	25,1	24,8	22,3								
CX 40-160/4	5,5	4	5,2	9,9		30	29,7	29,3	29	26,5								
CX 40-200/5,5	7,5	5,5	8,6	13,2		37,4	37,2	36,7	36,4	35,5	33,3							
CX 40-200/7,5	10	7,5	9,9	16,8		48	47,5	47	46,6	45,2	43,3							
CX 40-200/11	15	11	14,4	24,2		64	63,5	63	62,5	61,5	59							
CX 50-125/4	5,5	4	5,2	9,2		24,2	24,2	23,9	23,6	22,6	20,7	18	14,8					
CX 50-200/7,5	10	7,5	9,9	15,8		36,6	36,6	36,5	36,4	35,6	34,1	32	29,6					
CX 50-200/11	15	11	14,4	21		51,5	51,5	51,3	51	50	49,3	48	45,6					
CX 50-200/15	20	15	18,1	27		59,7	59,7	59,6	59,5	59,4	59	58	56,2	53				
CX 50-200/18,5	25	18,5	23	41,5		70,2	70,2	70,1	70	70	69,1	68	66,4	64				



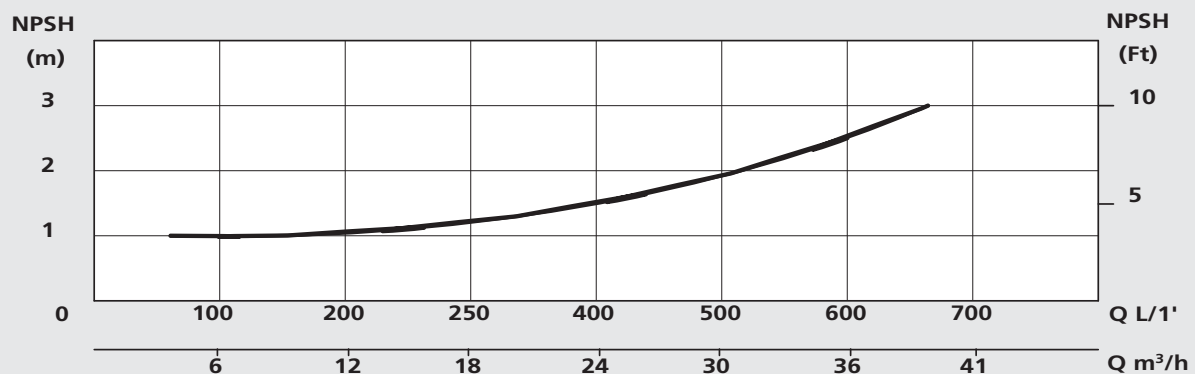
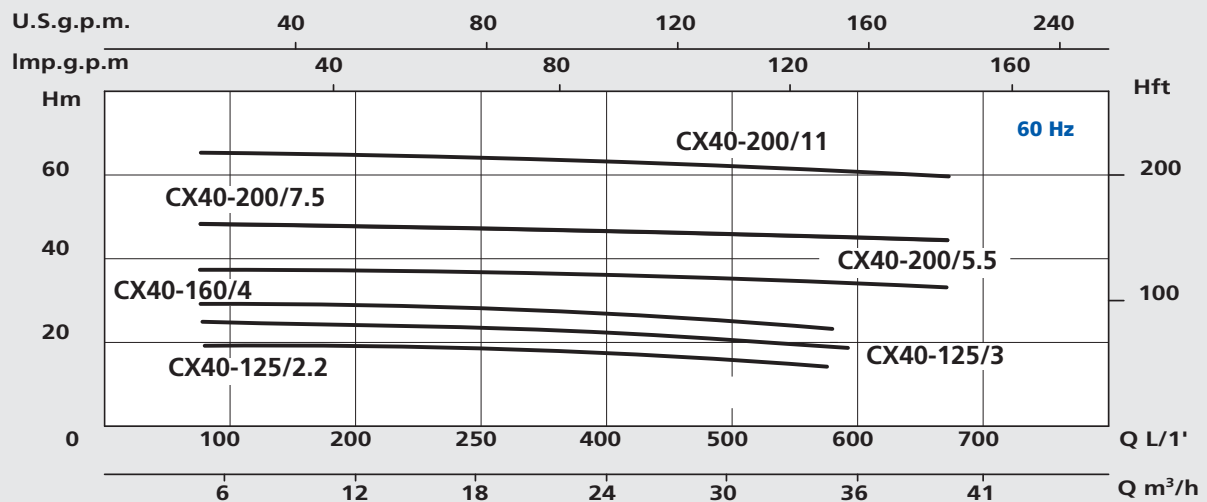
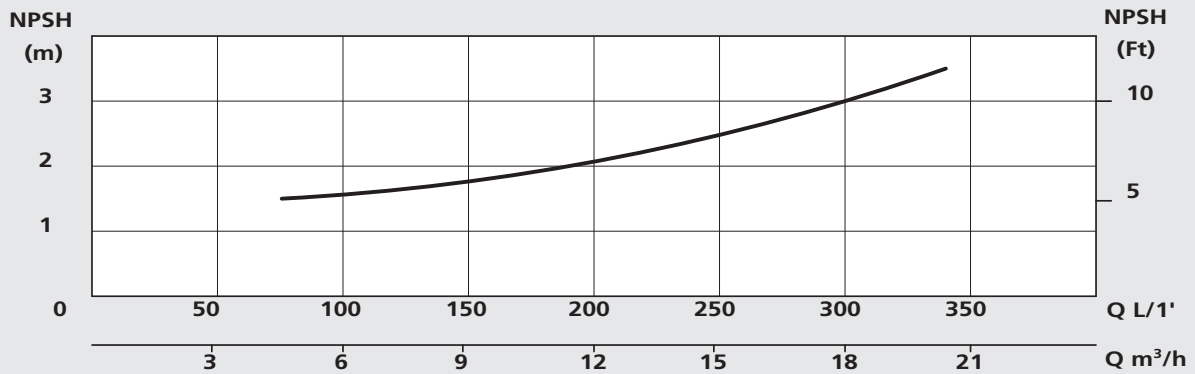
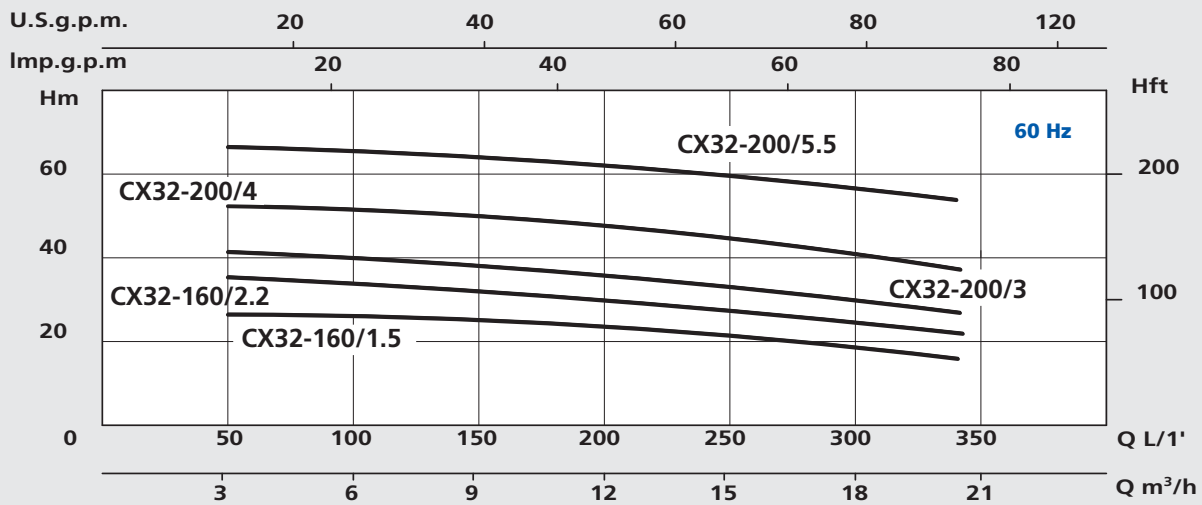
Flanges

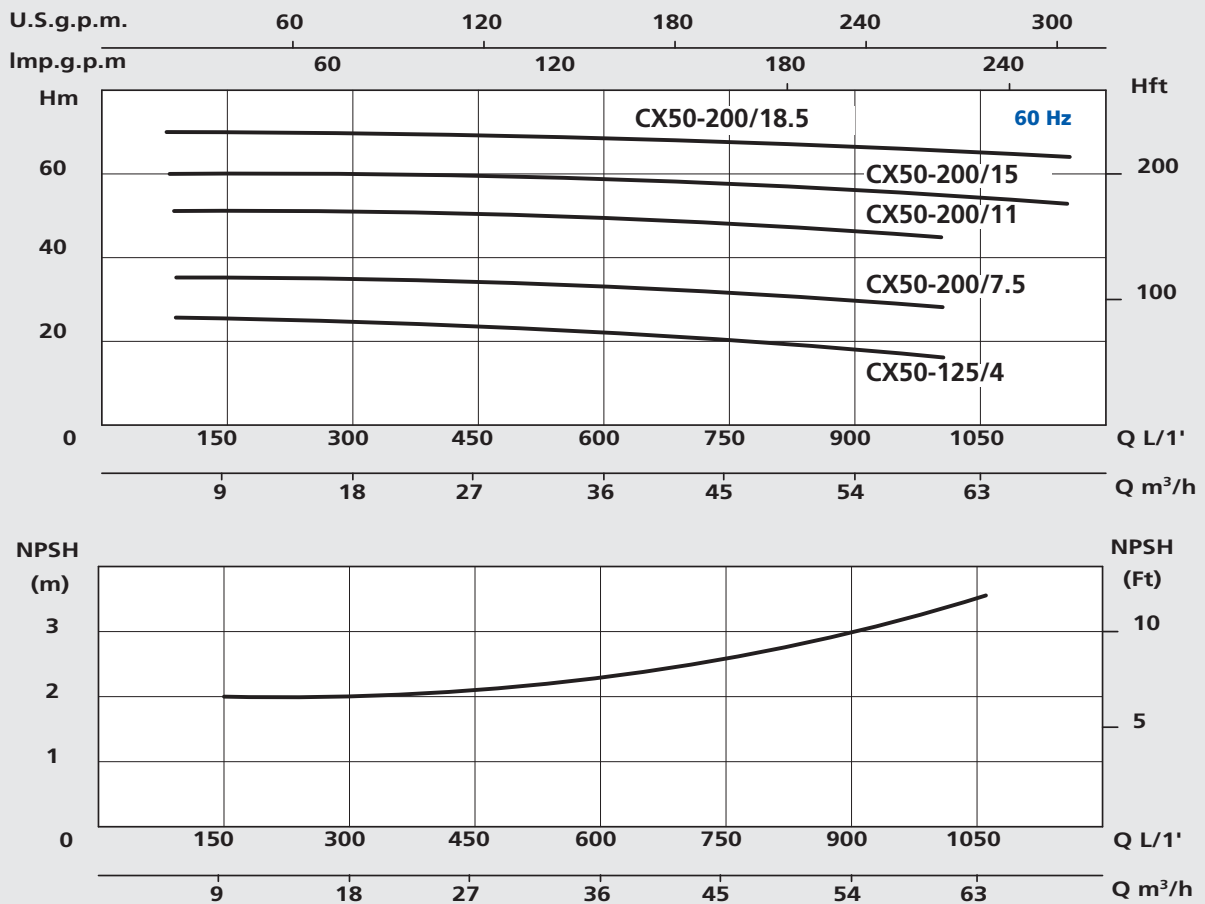
DIMENSIONS mm				
DN	DE	K	fori - holes	
			n°	Ø
32	140	100	4	18
40	145	110	4	18
50	165	125	4	18



DIMENSIONS AND WEIGHTS

TYPE	DIMENSIONS mm												DIMENSIONS mm			Weight Kg
	A	B	C	D	E	G	H	H1	H2	N	DNA	DNM	P	L	H	
<i>Three-phase</i>																
CX 32-160/1,5	45	80	500	310	270	430	327	172	336	250	50	32	340	580	360	43
CX 32-160/2,2	45	80	500	310	270	430	327	172	336	250	50	32	340	580	360	45
CX 32-200/3	45	86	548	330	290	460	370	200	386	300	50	32	340	580	420	60
CX 32-200/4	45	86	568	330	290	480	393	200	386	300	50	32	340	580	420	65
CX 32-200/5,5	45	86	665	370	330	580	413	200	386	300	50	32	430	690	420	85
CX 40-125/2,2	45	80	502	280	240	430	307	152	294	210	65	40	340	580	360	40
CX 40-125/3	45	80	532	300	260	460	322	152	294	250	65	40	340	580	360	53
CX 40-160/4	45	80	557	330	290	480	345	152	294	250	65	40	340	580	360	58
CX 40-200/5,5	50	100	680	370	330	580	413	200	380	300	65	40	430	690	420	86
CX 40-200/7,5	50	100	680	370	330	580	413	200	380	300	65	40	430	690	420	90
CX 40-200/11	50	100	790	420	380	690	456	200	380	350	65	40	430	840	470	171
CX 50-125/4	45	86	570	330	290	490	365	172	338	250	65	50	340	580	420	61
CX 50-200/7,5	50	100	680	370	330	580	413	200	380	300	65	50	430	690	420	91
CX 50-200/11	50	100	790	420	380	690	456	200	380	350	65	50	430	840	470	171
CX 50-200/15	50	100	790	420	380	690	456	200	380	350	65	50	430	840	470	181
CX 50-200/18,5	50	100	830	420	380	730	456	200	380	350	65	50	430	840	470	199





APPLICATION

Selfpriming jet water pumps with a very high hydraulic performance and a considerable pressure capacity. Able to pump up to mt. 8 depth and work perfectly even in soda-water. Suitable for drinkable water, water lifting and distribution in domestic fittings by small and medium sized tanks.

OPERATING CONDITIONS

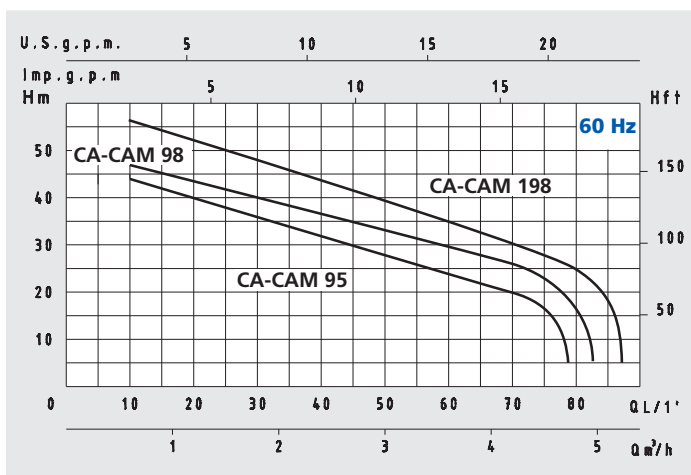
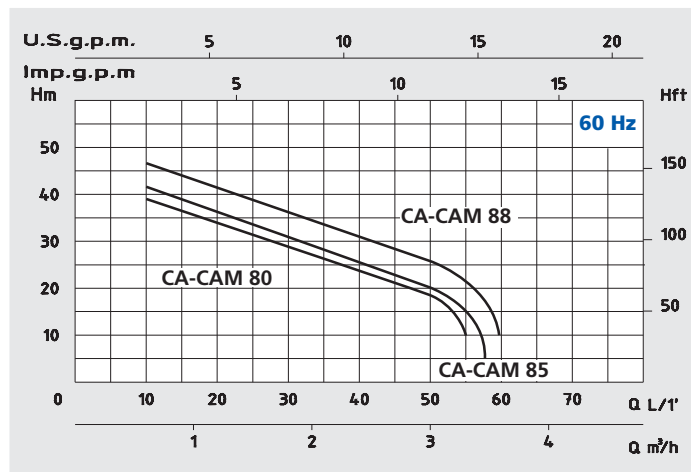
- Max. working pressure 6 bar (CAM 80-85-88)
- Max. working pressure 8 bar (CAM 95-98-198)
- Liquid temperature up to 35°C
- Ambient temperature up to 40°C
- Total suction lift up to 8 mt.
- Continuous duty

MOTOR

- Two-Pole induction motor ($n = 3450 \text{ min}^{-1}$)
- Insulation Class F
- Protection IP 44

MATERIALS

- Pump body Stainless Steel
- Motor Support Aluminium
- Impeller (CAM 80-85) Noryl
- Impeller Stainless Steel
- Diffuser Noryl
- Pump flange Stainless Steel
- Shaft with rotor Stainless Steel
- Mechanical seal Ceramic/Graphite



TECHNICAL DATA

TYPE		NOMINAL POWER P2		INPUT POWER P1	AMPERE		Q = CAPACITY										
Single-phase	Three-phase	HP	kW	kW	Single-phase	Three-phase	m³/h	0,6	0,9	1,2	1,5	1,8	2,1	2,4	2,7	3	3,6
220V-60Hz	220/380V-60Hz				1 x 220V 60Hz	3 x 380V 60Hz	lt/1'	10	15	20	25	30	35	40	45	50	60
CAM 80	CA 80	0,8	0,6	0,8	3,8	1,9	Total head in meters w.c.										
CAM 85	CA 85	0,9	0,7	0,9	4	2,1	H (m)	38	36	34	32	29	27	24	22	19	
CAM 88	CA 88	1	0,75	1,1	5	2,5		42	40	36	33	31	28	26	24	20	
								46	43	40	38	35	32	30	29	26	

TYPE		NOMINAL POWER P2		INPUT POWER P1	AMPERE		Q = CAPACITY										
Single-phase	Three-phase	HP	kW	kW	Single-phase	Three-phase	m³/h	0,6	0,9	1,2	1,5	1,8	2,4	3	3,6	4,2	4,8
220V-60Hz	220/380V-60Hz				1 x 220V 60Hz	3 x 380V 60Hz	lt/1'	10	15	20	25	30	40	50	60	70	80
CAM 95	CA 95	1	0,75	1,1	5	2,5	Total head in meters w.c.										
CAM 98	CA 98	1,3	1	1,3	5,8	2,8	H (m)	44	40	38	36	34	30	27	24	20	
CAM 198	CA 198	1,6	1,1	1,6	7,5	3,5		47	45	44	41	39	35	32	28	26	
								56	53	50	48	46	42	36	34	32	25

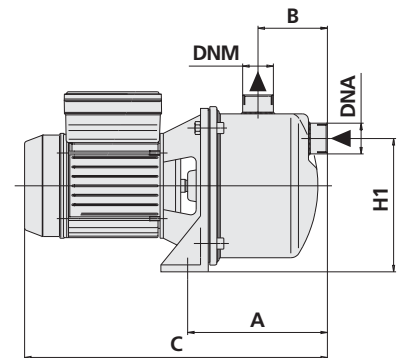
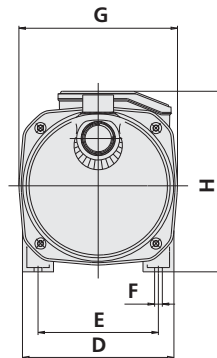


CAM 80-85-88

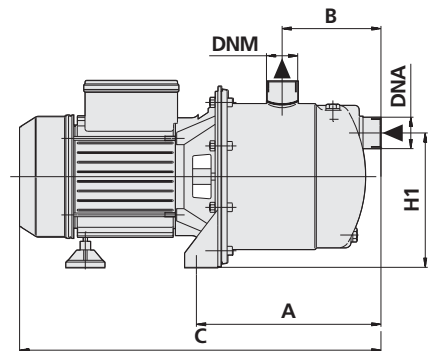
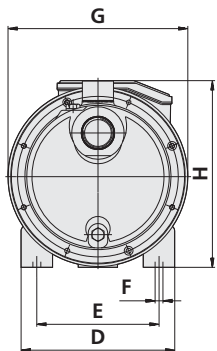
CAM 95-98-198



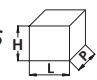
CAM 80-85-88



CAM 95-98-198



DIMENSIONS AND WEIGHTS

TYPE		DIMENSIONS mm											DIMENSIONS mm 			Weight
Single-phase	Three-phase	A	B	C	D	E	F	G	H	H1	DNA	DNM	P	L	H	Kg
CAM 80	CA 80	163	72	320	162	126	9	166	180	123	1"	1"	180	360	200	7
CAM 85	CA 85	163	81	343	176	140	9	184	200	149	1"	1"	190	420	230	8,5
CAM 88	CA 88	163	81	370	176	140	9	184	200	149	1"	1"	190	420	230	11
CAM 95	CA 95	210	113	415	176	140	9	206	212	154	1"	1"	210	450	240	12
CAM 98	CA 98	210	113	415	176	140	9	206	212	154	1"	1"	210	450	240	12,5
CAM 198	CA 198	210	113	432	176	140	9	206	230	154	1 1/4"	1"	210	480	250	15,5

APPLICATION

Automatic high pressure groups coupled with selfpriming jet pumps.

They are very silent and reliable and particularly suitable to increase pressure from a water system, to supply water from wells and in domestic high pressure groups.

OPERATING CONDITIONS

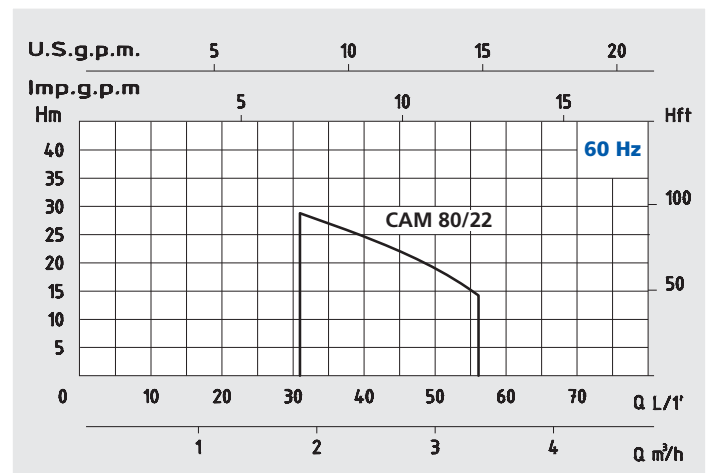
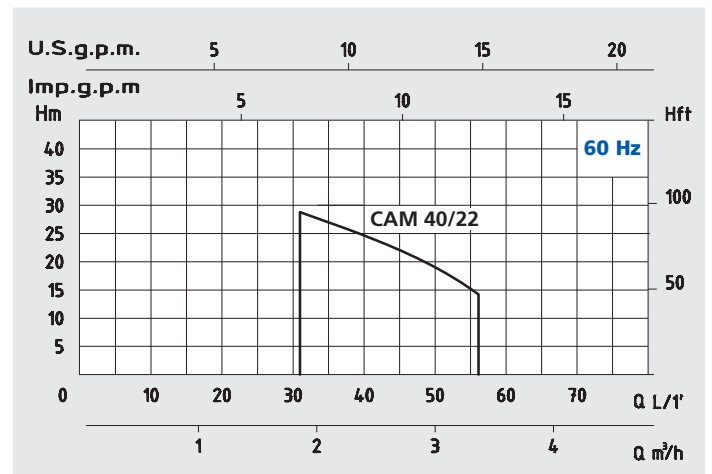
- Liquid temperature up to 35°C
- Ambient temperature up to 40°C
- Total suction lift up to 8 mt.
- Continuous duty

MOTOR

- Two-Pole induction motor ($n = 3450 \text{ min}^{-1}$)
- Insulation Class F
- Protection IP 44

COMPONENTS

- Membrane tank
- Flexible hose with connection
- Adjusted switch on/off pressure 1,4÷2,8 bar with cable
- Pressure gauge
- Brass connection



TECHNICAL DATA

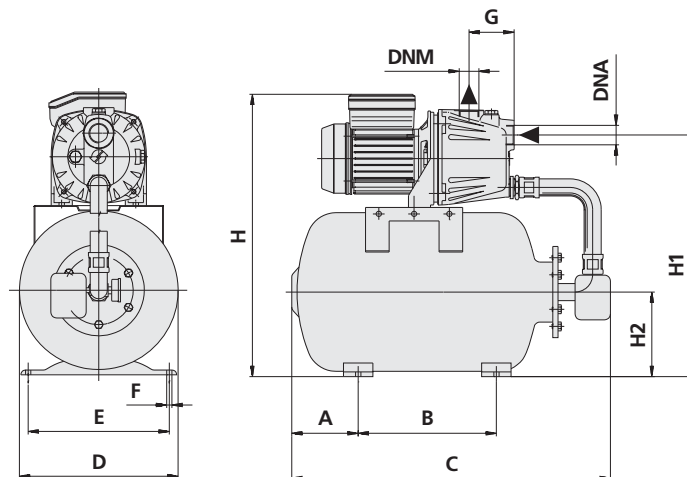
TYPE	NOMINAL POWER P2		INPUT POWER P1	AMPERE	Adjusted switch on/off pressure	Q = CAPACITY										
	HP	kW	kW			Single-phase	m³/h	0,6	0,9	1,2	1,5	1,8	2,1	2,4	2,7	3
Single-phase						lt/1'	10	15	20	25	30	35	40	45	50	60
220V-60Hz				1 x 220V-60Hz	Bar	Total head in meters w.c.										
CAM 40/22	0,8	0,6	0,8	3,8	1,4 ÷ 2,8	H (m)	38	36	34	32	29	27	25	22	19	
CAM 80/22	0,8	0,6	0,8	3,8	1,4 ÷ 2,8	H (m)	38	36	34	32	29	27	25	22	19	



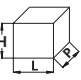
CAM 40-22



CAM 80-22



DIMENSIONS AND WEIGHTS

TYPE	DIMENSIONS mm												DIMENSIONS mm 			Weight Kg	
	A	B	C	D	E	F	G	H	H1	H2	DNA	DNM	P	L	H		
Single-phase																	
CAM 40/22	113	235	542	270	240	9	76	480	411	144	1"	1"	280	490	480	14	
CAM 80/22	113	235	542	270	240	9	72	460	411	144	1"	1"	280	490	480	12	

APPLICATION

Automatic high pressure groups coupled with selfpriming jet pumps.

They are very silent and reliable and particularly suitable to increase pressure from a water system, to supply water from wells and in domestic high pressure groups.

OPERATING CONDITIONS

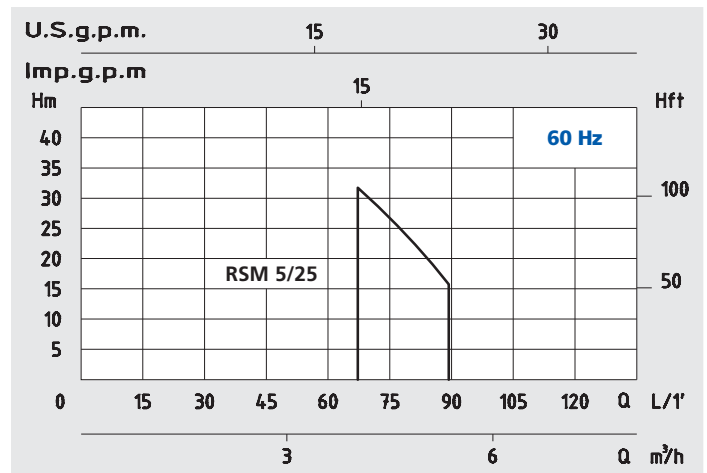
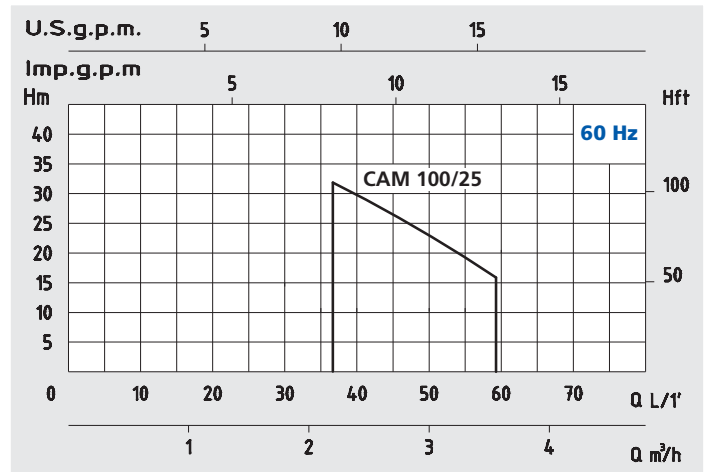
- Liquid temperature up to 35°C
- Ambient temperature up to 40°C
- Total suction lift up to 8 mt.
- Continuous duty

MOTOR

- Two-Pole induction motor ($n = 3450 \text{ min}^{-1}$)
- Insulation Class F
- Protection IP 44

COMPONENTS

- Membrane tank
- Flexible hose with connection
- Adjusted switch on/off pressure 1,6÷3,2 bar with cable
- Pressure gauge
- Brass connection



TECHNICAL DATA

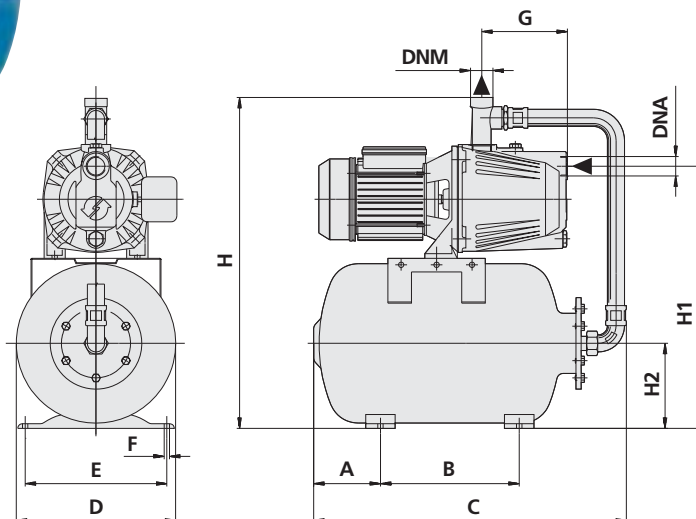
TYPE	NOMINAL POWER		INPUT POWER	AMPERE	Adjusted switch on/off pressure	Q = CAPACITY										
	P2					P1	Total head in meters w.c.									
Single-phase	HP	kW	kW	Single-phase	Bar	m³/h	0,6	0,9	1,2	1,5	1,8	2,1	2,4	2,7	3	3,6
220V-60Hz				1 x 220V-60Hz		lt/1'	10	15	20	25	30	35	40	45	50	60
CAM 100/25	1	0,75	1,1	5	1,6 ÷ 3,2	H	45	43	40	38	35	33	30	29	26	22
RSM 5/25	1,5	1,1	1,4	6,2	1,6 ÷ 3,2	(m)	62	61	60	58	55	54	52	50	45	40



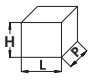
RSM 5



CAM 100



DIMENSIONS AND WEIGHTS

TYPE	DIMENSIONS mm												DIMENSIONS mm 			Weight Kg	
	A	B	C	D	E	F	G	H	H1	H2	DNA	DNM	P	L	H		
Single-phase																	
CAM 100/25	113	235	530	270	240	9	145	560	444	144	1"	1"	280	550	600	22	
RSM 5/25	113	235	530	270	240	9	220	520	440	144	1"	1"	310	560	580	23	

APPLICATION

Automatic high pressure groups coupled with selfpriming jet pumps.

They are very silent and reliable and particularly suitable to increase pressure from a water system, to supply water from wells and in domestic high pressure groups.

OPERATING CONDITIONS

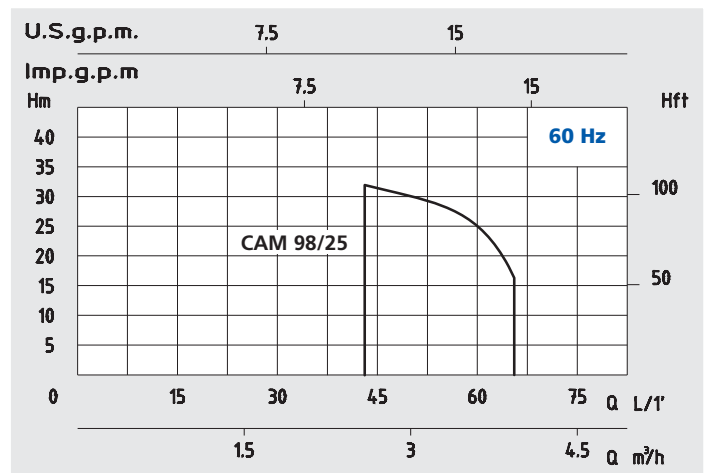
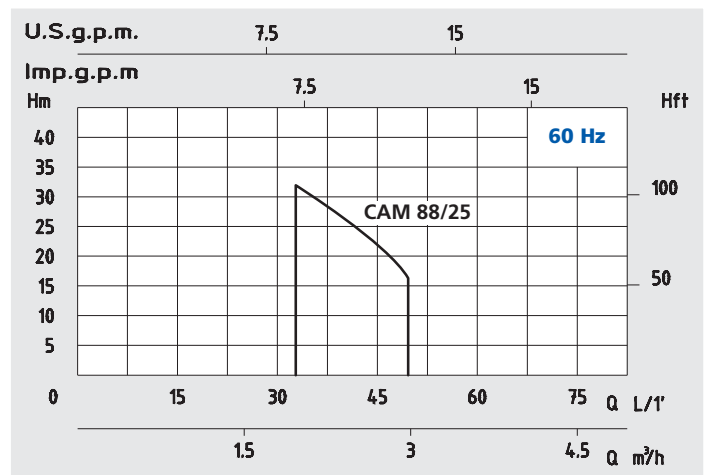
- Liquid temperature up to 35°C
- Ambient temperature up to 40°C
- Total suction lift up to 8 mt.
- Continuous duty

MOTOR

- Two-Pole induction motor (n = 3450 min⁻¹)
- Insulation Class F
- Protection IP 44

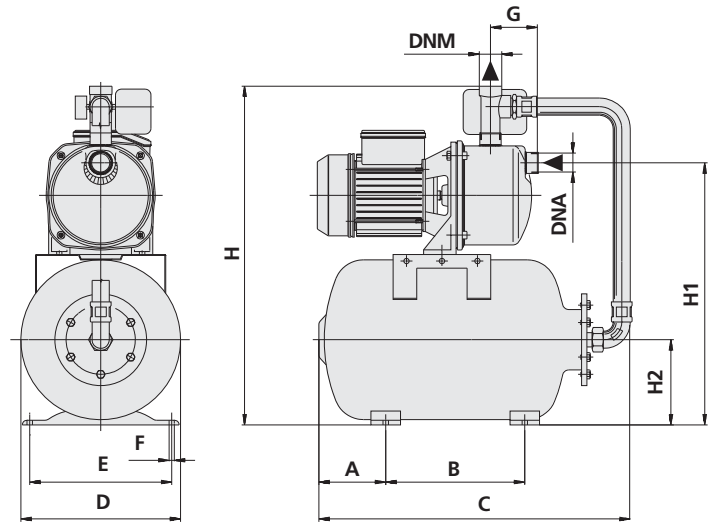
MATERIALS

- Membrane tank
- Flexible hose with connection
- Adjusted switch on/off pressure 1,6÷3,2 bar with cable
- Pressure gauge
- Brass connection

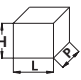


TECHNICAL DATA

TYPE	NOMINAL POWER P2		INPUT POWER P1	AMPERE	Adjusted switch on/off pressure	Q = CAPACITY										
	HP	kW	kW	Single-phase		m ³ /h	0,6	0,9	1,2	1,5	1,8	2,1	2,4	2,7	3	3,6
Single-phase						lt/1'	10	15	20	25	30	35	40	45	50	60
220V-60Hz				1 x 220V-60Hz	Bar	Total head in meters w.c.										
CAM 88/25	1	0,75	1,1	5	1,6 ÷ 3,2	H (m)	46	43	40	38	35	32	30	29	26	
CAM 98/25	1,3	1	1,3	5,8	1,6 ÷ 3,2	H (m)	47	45	44	41	39	37	35	33	32	28



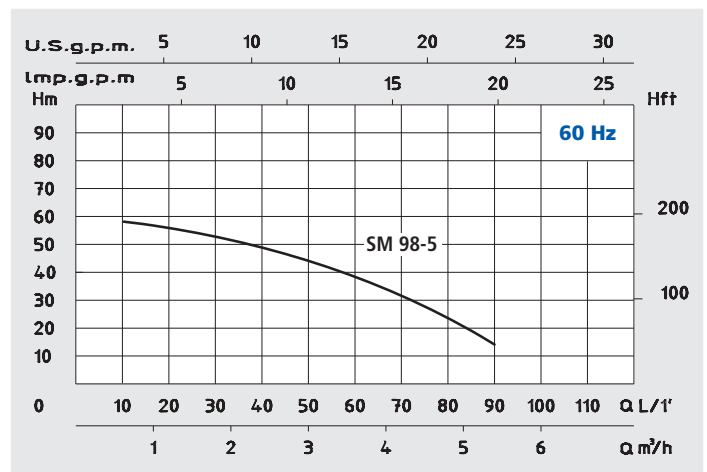
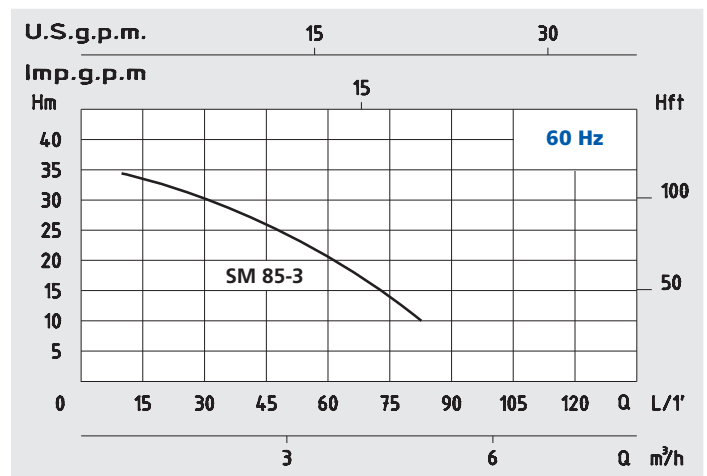
DIMENSIONS AND WEIGHTS

TYPE	DIMENSIONS mm												DIMENSIONS mm 			Weight Kg
	A	B	C	D	E	F	G	H	H1	H2	DNA	DNM	P	L	H	
Single-phase																
CAM 88/25	113	235	530	270	240	9	81	575	437	144	1"	1"	280	550	600	19
CAM 98/25	113	235	530	270	240	9	112	575	445	144	1"	1"	280	550	600	21

APPLICATION

Centrifugal selfpriming multistage water pumps able to develop high pressure and a high water lift with a comparatively low power consumption.

Universal pump for civil and industrial purposes, for high pressure system and for irrigation in agriculture and sports fittings.



OPERATING CONDITIONS

- Max. working pressure 8 bar
- Liquid temperature up to 35°C
- Ambient temperature up to 40°C
- Total suction lift up to 8 mt.
- Continuous duty

MOTOR

- Two-Pole induction motor ($n = 3450 \text{ min}^{-1}$)
- Insulation Class F
- Protection IP 44

MATERIALS

- Pump body: Stainless Steel
- Motor Support: Aluminium
- Impeller Noryl
- Diffuser Noryl
- Pump flange: Stainless Steel
- Shaft with rotor: Stainless Steel
- Mechanical seal: Ceramic/Graphite

TECHNICAL DATA

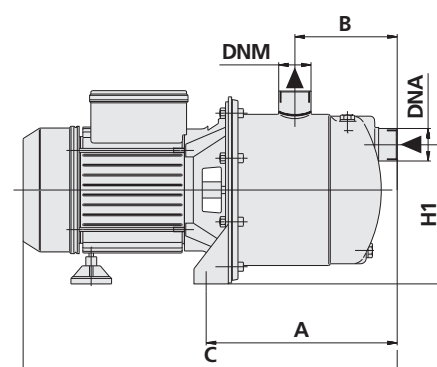
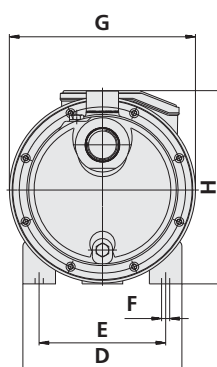
TYPE	NOMINAL POWER		INPUT POWER	AMPERE	Q = CAPACITY										
	P2				P1	Single-phase	m³/h	0,6	1,2	1,8	2,4	3	3,6	4,2	4,8
Single-phase				Single-phase	lt/1'	10	20	30	40	50	60	70	80	90	100
220V-60Hz	HP	kW	kW	1 x 220V-60Hz	Total head in meters w.c.										
SM 85-3	0,9	0,7	0,9	4	H (m)	34	32	30	28	24	20	15	10		
SM 98-5	1,3	1	1,3	5,8	H (m)	58	56	52	48	44	39	31	23	15	



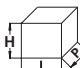
SM 85-3



SM 98-5



DIMENSIONS AND WEIGHTS

TYPE	DIMENSIONS mm												DIMENSIONS mm 			Weight Kg
	A	B	C	D	E	F	G	H	H1	Impellers	DNA	DNM	P	L	H	
Single-phase																
SM 85-3	163	81	343	176	140	9	184	200	149	3	1"	1"	190	420	230	8,5
SM 98-5	210	113	415	176	140	9	206	212	154	5	1"	1"	210	450	240	13

APPLICATION

Centrifugal horizontal multi-impeller water pumps able to develop high pressure and a high water lift with a comparatively low power consumption. Thanks to their silent running and very good features, they are suitable in domestic fittings by tank pressure groups, for small sprinkler irrigations and car washing.

OPERATING CONDITIONS

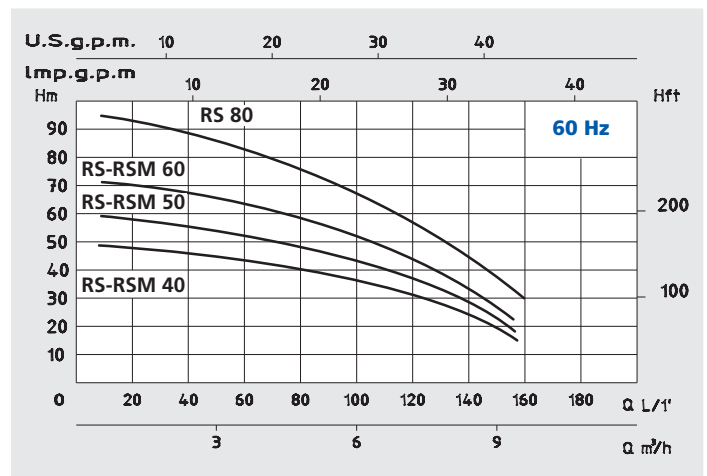
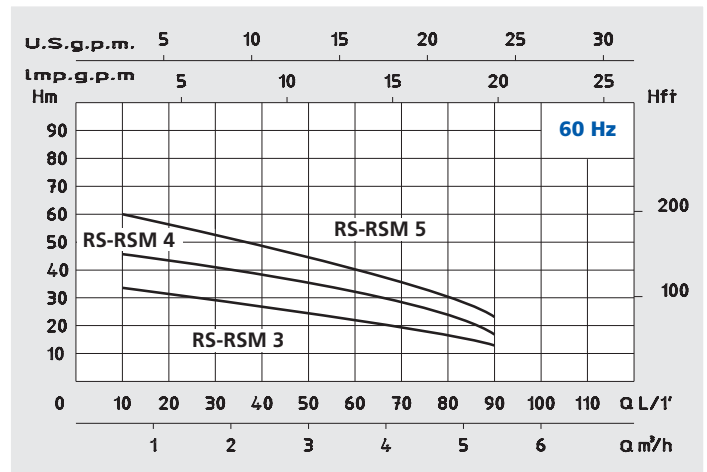
- Max working pressure: 10 bar
- Liquid temperature up to 35°C
- Ambient temperature up to 40°C
- Total suction lift up to 7 mt.
- Continuous duty

MOTOR

- Two-Pole induction motor ($n = 3450 \text{ min}^{-1}$)
- Insulation Class F
- Protection IP 44 (RS-RSM 3-4-5)
- Protection IP 55

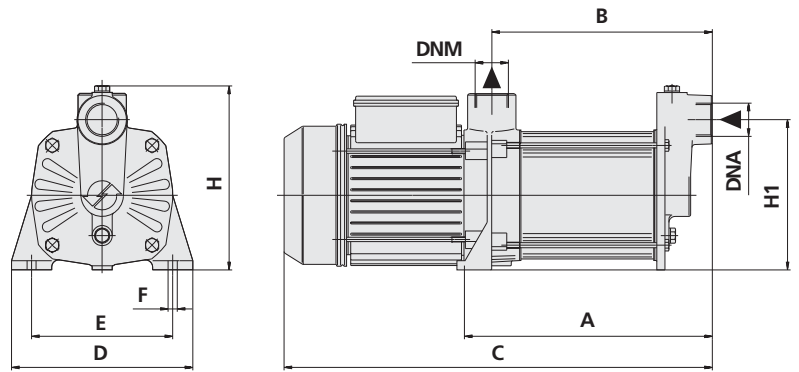
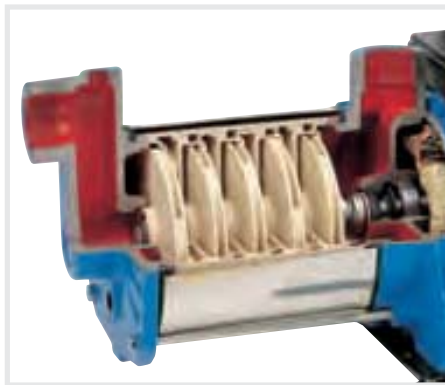
MATERIALS

- Pump body Cast Iron
- Motor support Cast Iron
- Impeller Noryl
- Diffusers Noryl
- Pump casing Stainless Steel
- Shaft with rotor Stainless Steel
- Mechanical seal Ceramic/Graphite
- Mechanical seal Silicon/Silicon (RS-RSM 40-50-60-80)

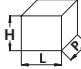


TECHNICAL DATA

TYPE		NOMINAL POWER P2		INPUT POWER P1	AMPERE		Q = CAPACITY												
Single-phase	Three-phase	HP	kW	kW	Single-phase	Three-phase	m³/h	0,6	1,2	1,8	2,7	3,6	4,5	5,4	7,2	8,4	9,6		
220V-60Hz	220/380V-60Hz				1 x 220V 60Hz	3 x 380V 60Hz	lt/1'	10	20	30	45	60	75	90	120	140	160		
RSM 3	RS 3	0,8	0,6	0,8	3,5	1,8	H (m)	34	33	31	28	23	18	13					
RSM 4	RS 4	1	0,7	1	4,8	2,2		45	44	43	38	33	25	18					
RSM 5	RS 5	1,5	1,1	1,4	6,2	3		60	56	53	47	40	33	24					
RSM 40	RS 40	2	1,5	2	9,3	4,2		49	48	47	44	43	40	37	30	23	15		
RSM 50	RS 50	2,5	1,9	2,2	10	4,6		59	57	56	55	52	48	44	34	25	18		
RSM 60	RS 60	3	2,2	2,7	12	5,3		71	68	67	65	64	58	53	41	32	22		
	RS 80	4	3	3,5		6,6		95	92	90	88	83	78	73	58	46	30		
								Total head in meters w.c.											



DIMENSIONS AND WEIGHTS

TYPE		DIMENSIONS mm										DIMENSIONS mm 			Weight	
Single-phase	Three-phase	A	B	C	D	E	F	H	H1	Impellers	DNA	DNM	P	L	H	Kg
RSM 3	RS 3	195	170	375	180	140	9,5	185	150	3	1"	1"	200	445	210	13,2
RSM 4	RS 4	220	194	400	180	140	9,5	185	150	4	1"	1"	200	445	210	14,5
RSM 5	RS 5	245	218	420	180	140	9,5	185	150	5	1"	1"	200	445	210	14,8
RSM 40	RS 40	269	228	514	194	150	13	242	189	4	1 1/4"	1"	210	540	260	22
RSM 50	RS 50	298	257	543	194	150	13	242	189	5	1 1/4"	1"	210	540	260	23
RSM 60	RS 60	327	286	572	194	150	13	242	189	6	1 1/4"	1"	240	610	270	24
	RS 80	385	344	630	194	150	13	242	189	8	1 1/4"	1"	240	680	300	25

APPLICATION

Selfpriming horizontal multi-impeller water pumps able to develop high pressure and a high water lift with a comparatively low power consumption.

Thanks to their silent running and very good features, they are suitable in domestic fittings by tank pressure groups, for small sprinkler irrigations and car washing.

OPERATING CONDITIONS

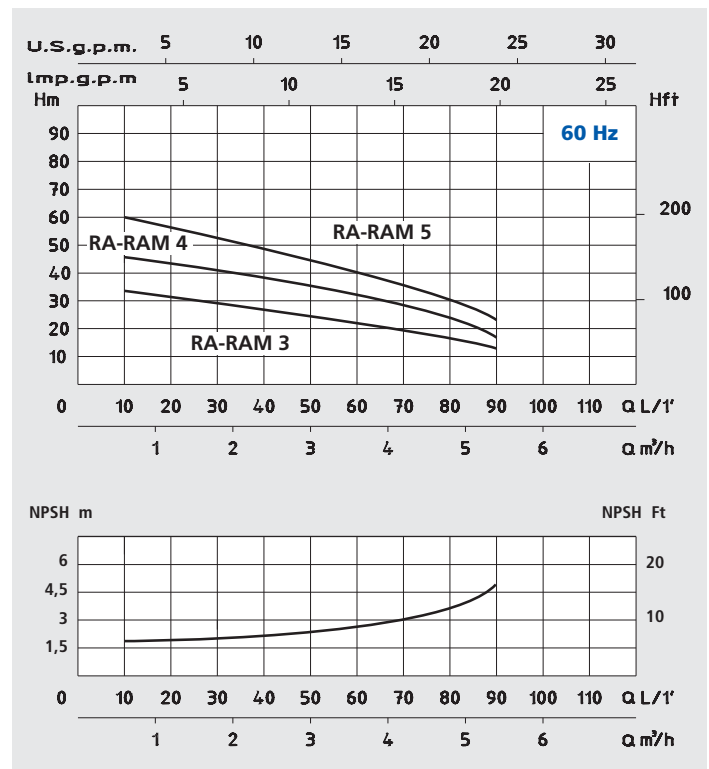
- Max working pressure: 10 bar
- Liquid temperature up to 35°C
- Ambient temperature up to 40°C
- Total suction lift up to 7 mt.
- Continuous duty

MOTOR

- Two-Pole induction motor (n = 3450 min⁻¹)
- Insulation Class F
- Protection IP 44

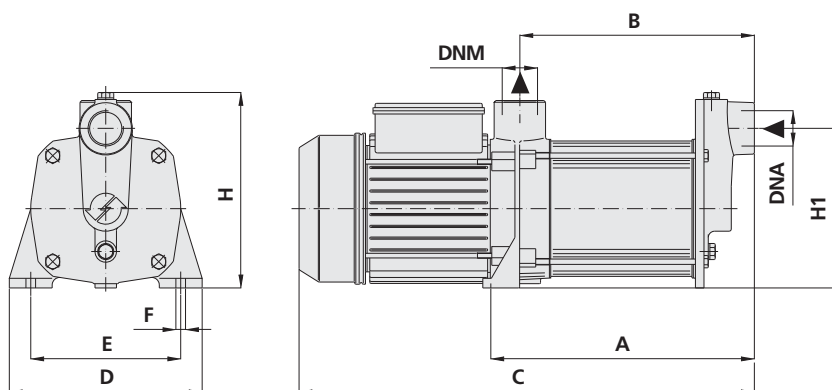
MATERIALS

- Pump body Cast Iron
- Motor support Cast Iron
- Impeller Noryl
- Diffusers Noryl
- Pump casing Stainless Steel
- Shaft with rotor Stainless Steel
- Mechanical seal Ceramic/Graphite

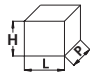


TECHNICAL DATA

TYPE		NOMINAL POWER			INPUT POWER		AMPERE		Q = CAPACITY										
Single-phase	Three-phase	P2		P1	Single-phase	Three-phase	Total head in meters w.c.												
		HP	kW				kW	1 x 220V 60Hz	3 x 380V 60Hz	m³/h	0,6	0,9	1,2	1,8	2,7	3	3,6	4,2	4,8
220-60Hz	220/380V-60Hz						lt/1'	10	15	20	30	45	50	60	70	80	90		
RAM 3	RA 3	0,8	0,6	0,8	3,6	2	H (m)	34	33,5	33	31	28	26	23	18	15	13		
RAM 4	RA 4	1	0,7	1,1	5	2,2		45	44,5	44	43	38	35	33	25	22	18		
RAM 5	RA 5	1,5	1,1	1,4	6,2	3		60	58	56	53	47	44	40	33	28	24		



DIMENSIONS AND WEIGHTS

TYPE		DIMENSIONS mm											DIMENSIONS mm 			Weight
Single-phase	Three-phase	A	B	C	D	E	F	H	H1	Impellers	DNA	DNM	P	L	H	Kg
RAM 3	RA 3	214	190	398	180	140	9,5	185	150	3	1"	1"	190	480	200	13
RAM 4	RA 4	238	214	422	180	140	9,5	185	150	4	1"	1"	190	480	200	14
RAM 5	RA 5	262	238	446	180	140	9,5	185	150	5	1"	1"	190	480	200	15

APPLICATION

Centrifugal horizontal multi-impeller water pumps able to develop high pressure and a high water lift with a comparatively low power consumption.

Thanks to their silent running and very good features, they are suitable in domestic fittings by tank pressure groups, for small sprinkler irrigations and car washing.

OPERATING CONDITIONS

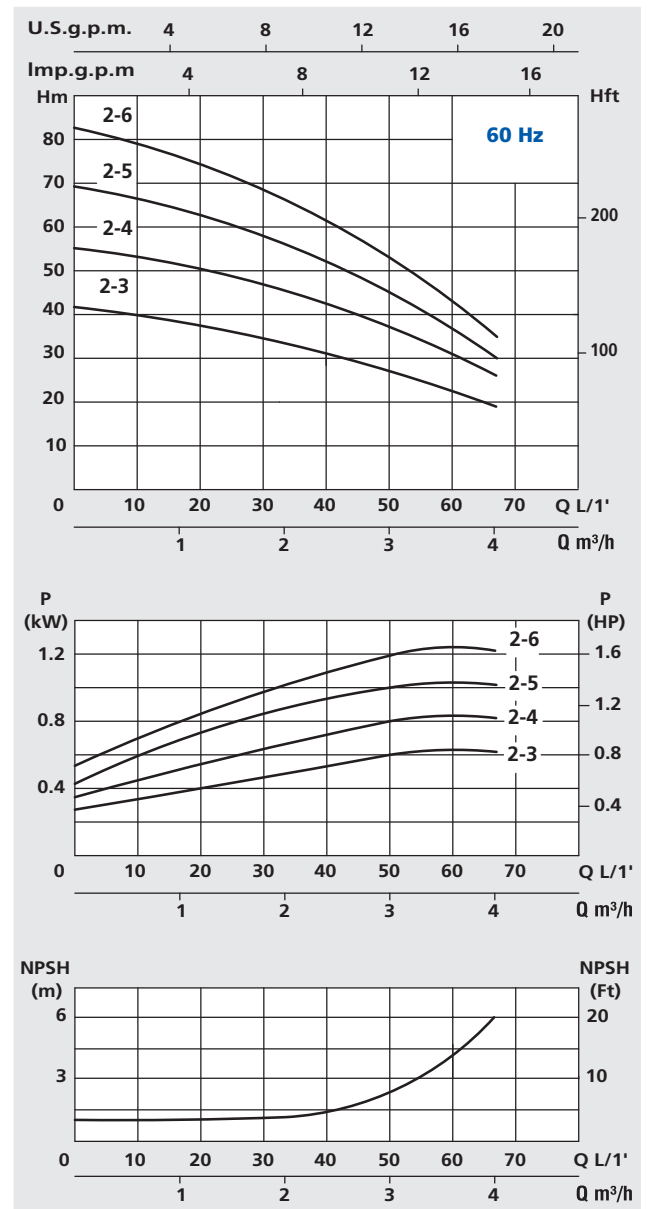
- Max working pressure: 10 bar
- Liquid temperature up to 90°C
- Ambient temperature up to 40°C
- Total suction lift up to 7 mt.
- Continuous duty

MOTOR

- Two-Pole induction motor ($n = 3450 \text{ min}^{-1}$)
- Insulation Class F
- Protection IP 44

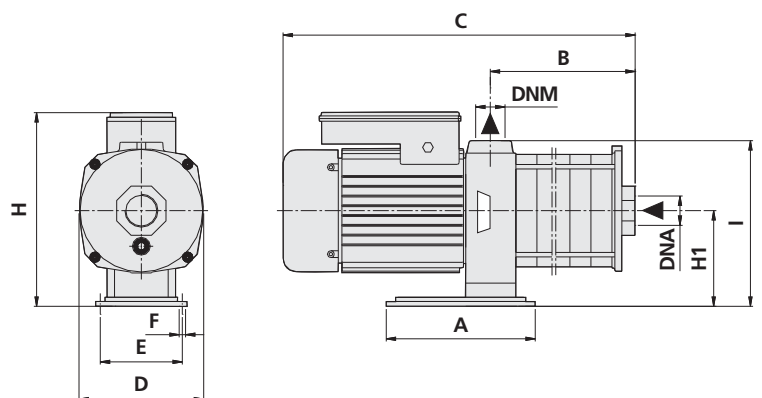
MATERIALS

- | | |
|--------------------|-------------------|
| - Pump body | Stainless Steel |
| - Motor support | Stainless Steel |
| - Impeller | Stainless Steel |
| - Diffusers | Stainless Steel |
| - Pump casing | Stainless Steel |
| - Shaft with rotor | Stainless Steel |
| - Mechanical seal | Graphite/Graphite |



TECHNICAL DATA

TYPE		NOMINAL POWER P2		INPUT POWER P1	AMPERE		Q = CAPACITY										
Single-phase	Three-phase	HP	kW	kW	Single-phase	Three-phase	m³/h	1	1,5	2	2,5	3	3,5	4	5	6	7
220V-60Hz	220/380V-60Hz				1 x 220V 60Hz	3 x 380V 60Hz	lt/1'	16	24,5	33	41,5	50	58	66	83	100	116
RSXM 2-3	RSX 2-3	1	0,75	0,8	3,5	1,4	Total head in meters w.c.										
RSXM 2-4	RSX 2-4	1,5	1,1	1,4	6,3	2,2	H (m)	38	36	33	29	27	24	19			
RSXM 2-5	RSX 2-5	1,5	1,1	1,4	6,3	2,2		51	48	44	40	36	32	26			
RSXM 2-6	RSX 2-6	2	1,5	1,7	7,4	3		63	60	55	50	46	40	30			
								75	72	66	60	53	46	35			



DIMENSIONS AND WEIGHTS

TYPE		DIMENSIONS mm											DIMENSIONS mm			Weight
Single-phase	Three-phase	A	B	C	D	E	F	H	H1	I	DNA	DNM	P	L	H	Kg
RSXM 2-3	RSX 2-3	160	102	370	170	108	9	230	110	182	1"	1"	200	450	280	17
RSXM 2-4	RSX 2-4	160	120	388	170	108	9	230	110	182	1"	1"	200	450	280	17
RSXM 2-5	RSX 2-5	160	138	406	170	108	9	230	110	182	1"	1"	200	450	280	17
RSXM 2-6	RSX 2-6	160	156	424	170	108	9	240	118	190	1"	1"	200	450	280	20

APPLICATION

Centrifugal horizontal multi-impeller water pumps able to develop high pressure and a high water lift with a comparatively low power consumption.

Thanks to their silent running and very good features, they are suitable in domestic fittings by tank pressure groups, for small sprinkler irrigations and car washing.

OPERATING CONDITIONS

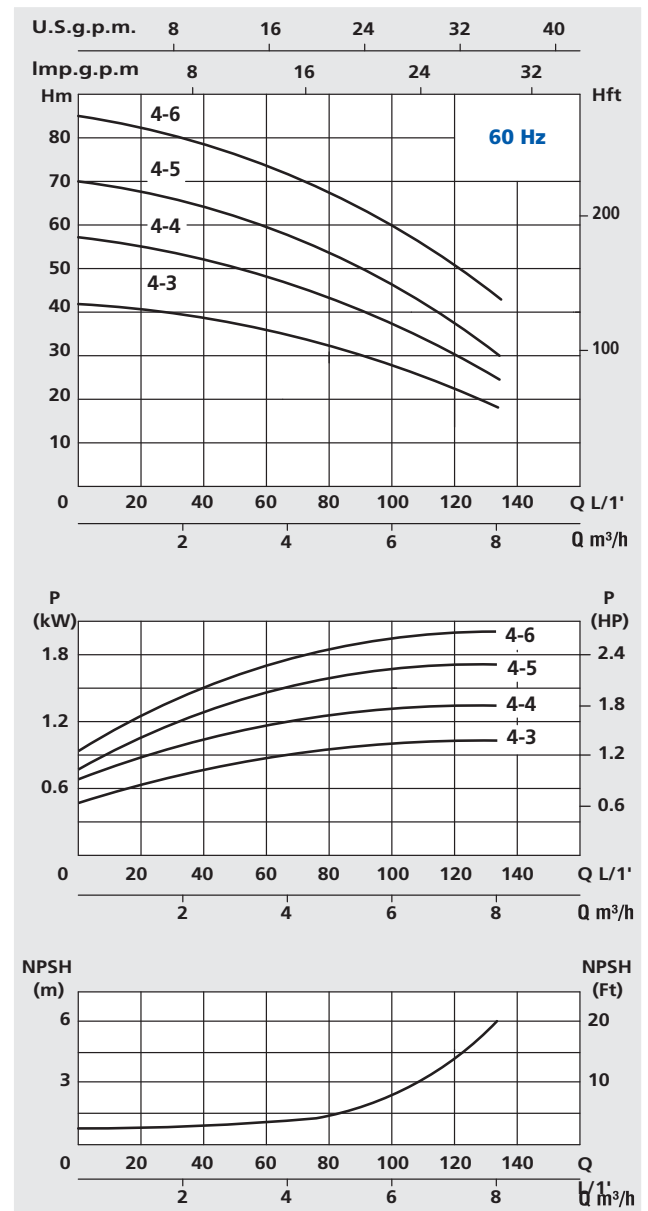
- Max working pressure: 10 bar
- Liquid temperature up to 90°C
- Ambient temperature up to 40°C
- Total suction lift up to 7 mt.
- Continuous duty

MOTOR

- Two-Pole induction motor ($n = 3450 \text{ min}^{-1}$)
- Insulation Class F
- Protection IP 44

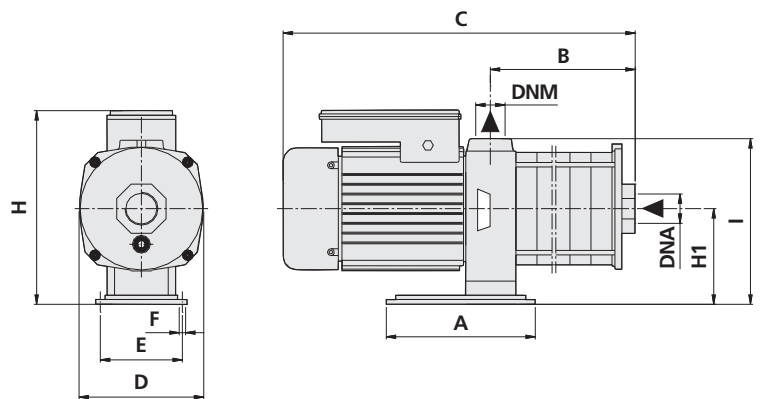
MATERIALS

- Pump body: Stainless Steel
- Motor support: Stainless Steel
- Impeller: Stainless Steel
- Diffusers: Stainless Steel
- Pump casing: Stainless Steel
- Shaft with rotor: Stainless Steel
- Mechanical seal: Graphite/Graphite

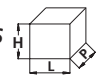


TECHNICAL DATA

TYPE		NOMINAL POWER P2		INPUT POWER P1	AMPERE		Q = CAPACITY										
Single-phase	Three-phase	HP	kW	kW	Single-phase	Three-phase	m³/h	2	2,5	3	3,5	4	5	6	7	8	9
220V-60Hz	220/380V-60Hz				1 x 220V 60Hz	3 x 380V 60Hz	lt/1'	33	41,5	50	58	66	83	100	116	133	150
RSXM 4-3	RSX 4-3	1,5	1,1	1,4	6,3	2,2	Total head in meters w.c.										
RSXM 4-4	RSX 4-4	2	1,5	1,7	7,4	3	H (m)	39	37	36	34	33	31	28	23	18	
	RSX 4-5	3	2,2	2,4		3,6		53	50	49	46	44	42	38	31	24	
	RSX 4-6	3	2,2	2,4		3,6		65	63	62	60	56	52	48	42	32	
								80	78	75	73	69	62	58	50	42	



DIMENSIONS AND WEIGHTS

TYPE		DIMENSIONS mm											DIMENSIONS mm 			Weight
Single-phase	Three-phase	A	B	C	D	E	F	H	H1	I	DNA	DNM	P	L	H	Kg
RSXM 4-3	RSX 4-3	160	129	395	170	108	9	230	110	182	1" 1/4	1"	200	450	280	17
RSXM 4-4	RSX 4-4	160	156	422	170	108	9	240	118	190	1" 1/4	1"	200	450	280	20
	RSX 4-5	160	183	469	180	108	9	240	118	190	1" 1/4	1"	210	530	290	25
	RSX 4-6	160	210	496	180	108	9	240	118	190	1" 1/4	1"	210	530	290	25

APPLICATION

Centrifugal horizontal multi-impeller water pumps able to develop high pressure and a high water lift with a comparatively low power consumption.

Thanks to their silent running and very good features, they are suitable in domestic fittings by tank pressure groups, for small sprinkler irrigations and car washing.

OPERATING CONDITIONS

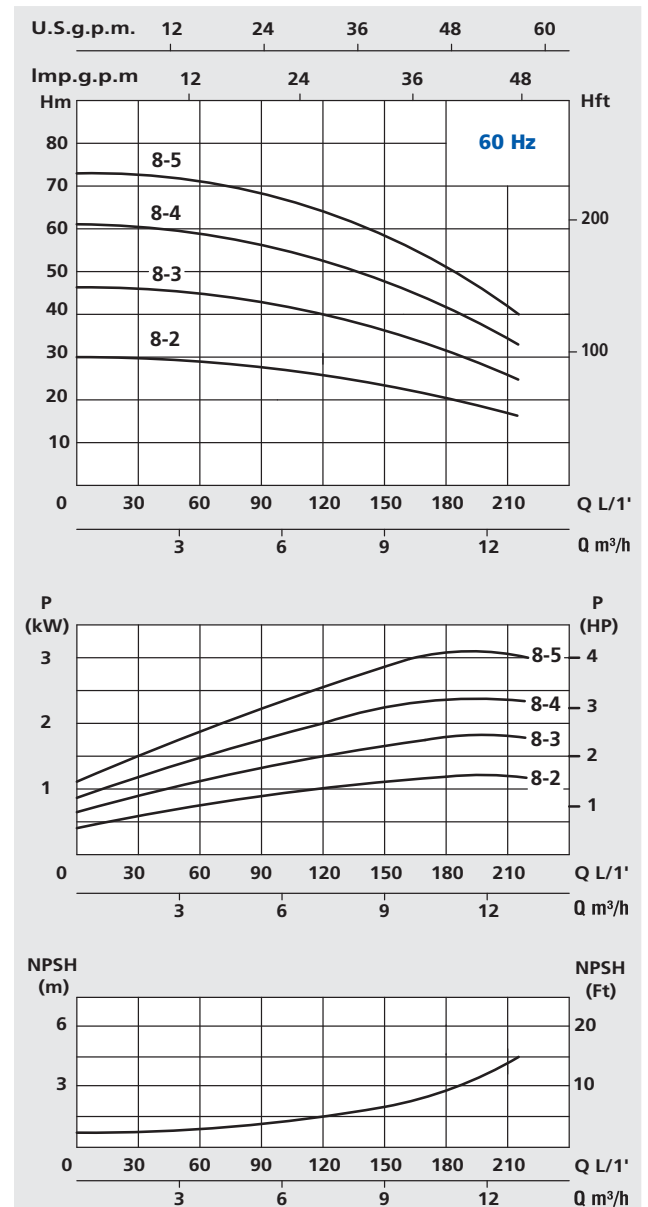
- Max working pressure: 10 bar
- Liquid temperature up to 90°C
- Ambient temperature up to 40°C
- Total suction lift up to 7 mt.
- Continuous duty

MOTOR

- Two-Pole induction motor ($n = 3450 \text{ min}^{-1}$)
- Insulation Class F
- Protection IP 44

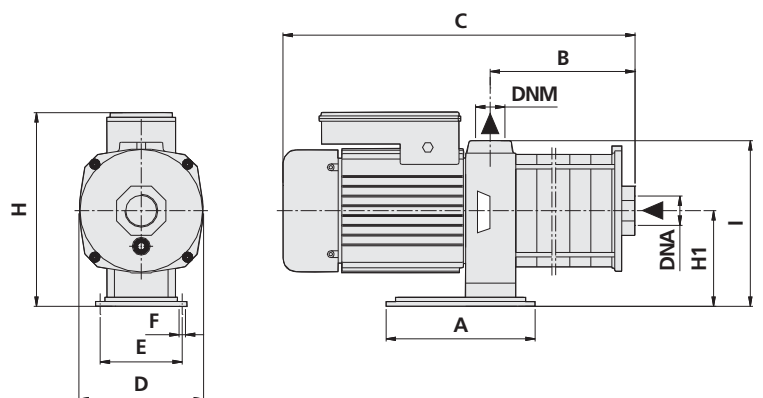
MATERIALS

- | | |
|--------------------|-------------------|
| - Pump body | Stainless Steel |
| - Motor support | Stainless Steel |
| - Impeller | Stainless Steel |
| - Diffusers | Stainless Steel |
| - Pump casing | Stainless Steel |
| - Shaft with rotor | Stainless Steel |
| - Mechanical seal | Graphite/Graphite |

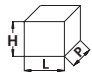


TECHNICAL DATA

TYPE		NOMINAL POWER P2		INPUT POWER P1	AMPERE		Q = CAPACITY										
Single-phase	Three-phase	HP	kW	kW	Single-phase	Three-phase	m³/h	6	7	7,5	8	9	10	10,5	11	12	13
220V-60Hz	220/380V-60Hz				1 x 220V 60Hz	3 x 380V 60Hz	lt/1'	100	116	124	133	150	166	174,5	183	200	216
RSXM 8-2	RSX 8-2	2	1,5	1,7	7,4	3	Total head in meters w.c.										
	RSX 8-3	3	2,2	2,4		3,6	H (m)	27	26	25,5	25	24	23	22	21	19	16
	RSX 8-4	4	3	3,5		6,6		41	40	39,5	39	37	34	32	33	29	25
	RSX 8-5	4	3	3,5		6,6		55	54	53	52	50	45	44	43	39	33
								69	67	66	65	62	55	54	53	49	40



DIMENSIONS AND WEIGHTS

TYPE		DIMENSIONS mm											DIMENSIONS mm 			Weight
Single-phase	Three-phase	A	B	C	D	E	F	H	H1	I	DNA	DNM	P	L	H	Kg
RSXM 8-2	RSX 8-2	160	108	430	170	108	9	260	118	228	1" 1/4	1" 1/2	210	530	290	25
	RSX 8-3	160	138	460	170	108	9	260	118	228	1" 1/4	1" 1/2	210	530	290	27
	RSX 8-4	160	168	550	180	108	9	270	128	238	1" 1/4	1" 1/2	210	600	300	32
	RSX 8-5	160	198	580	180	108	9	270	128	238	1" 1/4	1" 1/2	210	600	300	32

APPLICATION

Centrifugal vertical multistage water pumps able to develop high pressure and a high water lift with a comparatively low power consumption.

Universal pump for civil and industrial purposes, for high pressure system and for irrigation in agriculture and sports fittings.

OPERATING CONDITIONS

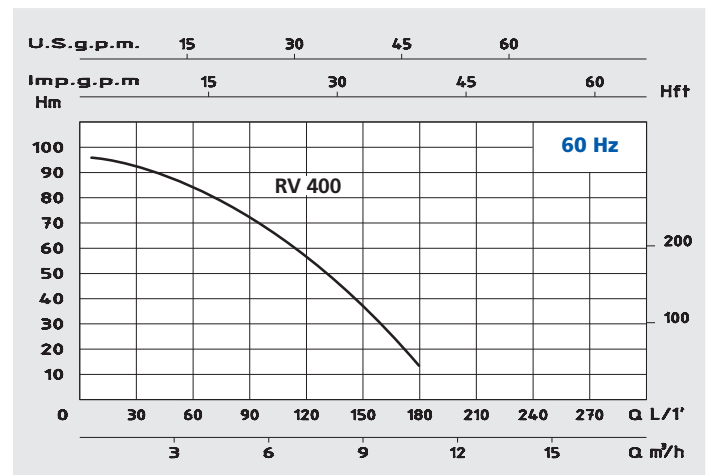
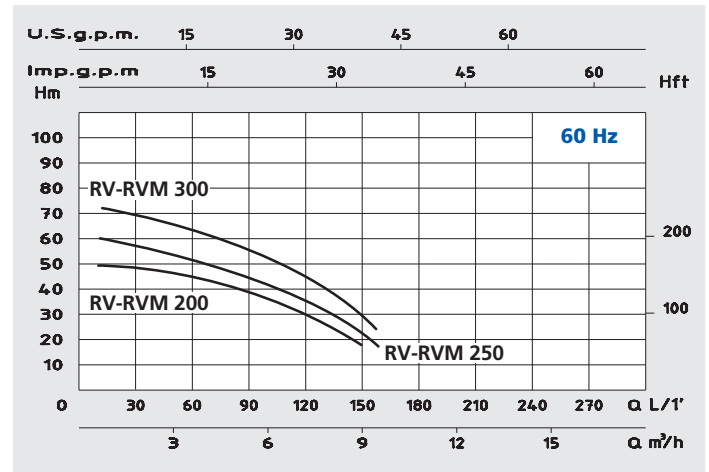
- Max working pressure: 10 bar
- Liquid temperature up to 35°C
- Ambient temperature up to 40°C
- Total suction lift up to 7 mt.
- Continuous duty

MOTOR

- Two-Pole induction motor ($n = 3450 \text{ min}^{-1}$)
- Insulation Class F
- Protection IP 55

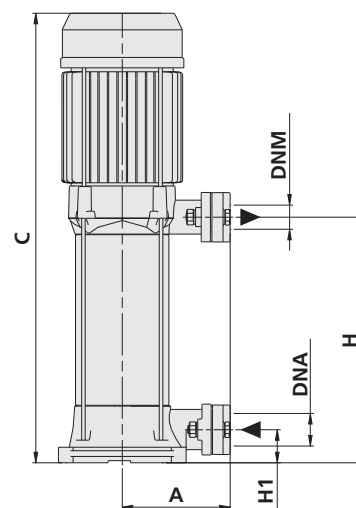
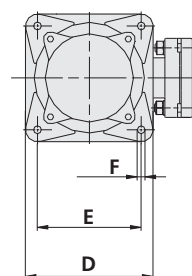
MATERIALS

- Pump body Cast Iron
- Motor Support Cast Iron
- Impeller Noryl
- Diffuser Noryl
- Pump casing Stainless Steel
- Shaft with rotor Stainless Steel
- Mechanical seal Silicon/Silicon

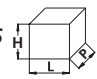


TECHNICAL DATA

TYPE		NOMINAL POWER P2		INPUT POWER P1	AMPERE		Q = CAPACITY										
Single-phase	Three-phase	HP	kW	kW	Single-phase	Three-phase	m³/h	0	1,2	2,4	3,6	4,8	6	7,2	8,4	9,6	10,8
220-60Hz	220/380V-60Hz				1 x 220V 60Hz	3 x 380V 60Hz	lt/1'	0	20	40	60	80	100	120	140	160	180
RVM 200	RV 200	2	1,5	2	9,3	4,2	Total head in meters w.c.										
RVM 250	RV 250	2,5	1,85	2,2	10	4,6	H (m)	50	48	45	43	39	35	30	23	15	
RVM 300	RV 300	3	2,2	2,7	12	5,3		60	57	54	52	47	41	34	25	18	
	RV 400	4	3	3,5		6,6		73	68	66	64	57	49	41	32	22	
								97	92	87	83	77	69	58	46	30	15



DIMENSIONS AND WEIGHTS

TYPE		DIMENSIONS mm									DIMENSIONS mm 			Weight	
Single-phase	Three-phase	A	C	D	E	F	H	H1	Impellers	DNA	DNM	P	L	H	Kg
RVM 200	RV 200	156	525	181	147	11	239	41	4	1"¼	1"	240	610	270	26
RVM 250	RV 250	156	554	181	147	11	268	41	5	1"¼	1"	240	610	270	27
RVM 300	RV 300	156	583	181	147	11	297	41	6	1"¼	1"	240	610	270	28
	RV 400	156	641	181	147	11	355	41	8	1"¼	1"	240	680	300	32

APPLICATION

Universal pumps for domestic or municipal water supply systems, for clean non-explosive liquids without solid or abrasive substances, for agricultural irrigation and sports application, for civil and industrial use, boiler feeding and condensate systems and for high pressure washing plants.

OPERATING CONDITIONS

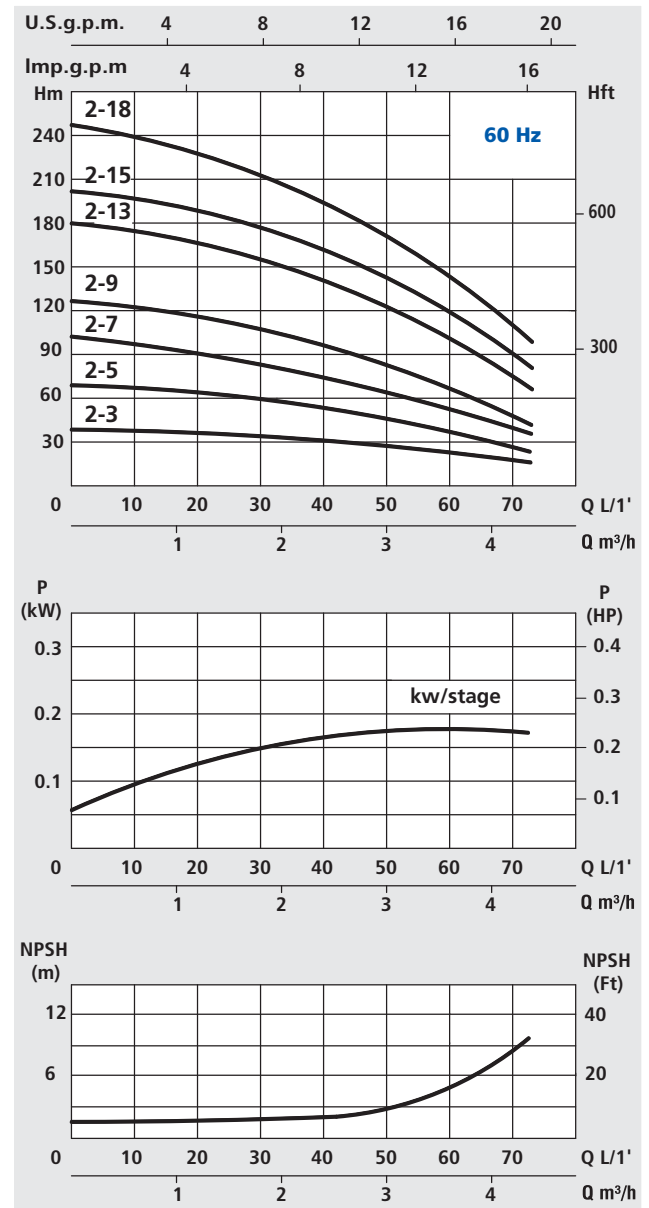
- Temperature of liquid from 0°C to 110°C (max)
- Ambient temperature max to 40°C
- Max. working pressure 25 bar

MOTOR

- Electric standard motor (n = 3450 min⁻¹)
- Insulation Class F
- Protection IP 55

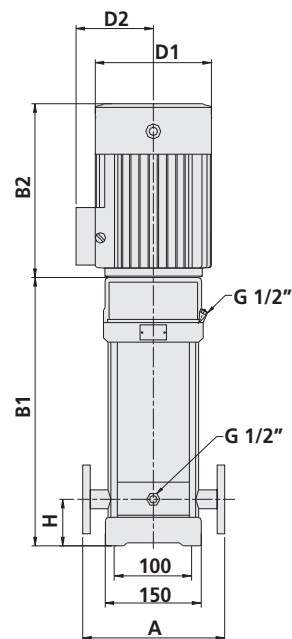
MATERIALS

- | | |
|-------------------|--------------------------|
| - Suction casing | Stainless Steel Aisi 304 |
| - Delivery casing | Stainless Steel Aisi 304 |
| - Impeller | Stainless Steel Aisi 304 |
| - External jacket | Stainless Steel Aisi 304 |
| - Counterflanges | Stainless Steel Aisi 304 |
| - Upper cover | Stainless Steel Aisi 304 |
| - Lower cover | Stainless Steel Aisi 304 |
| - Pump shaft | Stainless Steel Aisi 303 |
| - Mechanical seal | Silicon/Graphite |

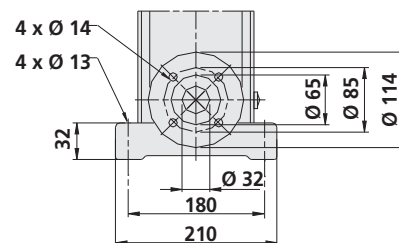


TECHNICAL DATA

TYPE		NOMINAL POWER P2		AMPERE		Q = CAPACITY									
Single-phase	Three-phase			Single-phase	Three-phase	m³/h	1	1,5	2	2,5	3	3,5	4	4,5	5
220V-60Hz	220/380V-60Hz	HP	kW	1 x 220V-60Hz	3 x 380V-60Hz	lt/1'	16	25	33	41,5	50	58	66	74,5	83
VSSM 2-3	VSS 2-3	1	0,75	4,4	2,2	Total head in meters w.c.									
VSSM 2-5	VSS 2-5	1,5	1,1	6,9	3	H (m)	39	36	33	31	27	24	19	15	
VSSM 2-7	VSS 2-7	2	1,5	9,1	4,2		65	60	57	52	46	41	32	25	
VSSM 2-9	VSS 2-9	3	2,2	12,4	5,3		91	86	81	74	66	57	47	35	
	VSS 2-13	4	3		6,6		117	111	104	95	86	75	61	45	
	VSS 2-15	4	3		6,6		171	163	152	139	126	108	90	66	
	VSS 2-18	5,5	4		9,4		195	186	176	160	142	125	103	77	
							234	228	212	195	171	151	126	94	



DN 32 1" 1/4



DIMENSIONS AND WEIGHTS

TYPE		DIMENSIONS mm								DIMENSIONS mm			Weight
Single-phase	Three-phase	A	H	B1	B2	B1 + B2	D1	D2	Flange	P	L	H	Kg
VSSM 2-3	VSS 2-3	250	75	286	245	531	170	142	DN 25 1"	300	750	300	20
VSSM 2-5	VSS 2-5	250	75	322	245	567	170	142	DN 25 1"	300	750	300	25
VSSM 2-7	VSS 2-7	250	75	368	290	658	170	155	DN 25 1"	300	750	300	30
VSSM 2-9	VSS 2-9	250	75	404	290	694	190	155	DN 25 1"	350	950	350	35
	VSS 2-13	250	75	486	315	801	197	165	DN 25 1"	350	950	350	40
	VSS 2-15	250	75	522	315	837	197	165	DN 25 1"	350	950	350	40
	VSS 2-18	250	75	576	335	911	230	185	DN 25 1"	350	1100	350	45

APPLICATION

Universal pumps for domestic or municipal water supply systems, for clean non-explosive liquids without solid or abrasive substances, for agricultural irrigation and sports application, for civil and industrial use, boiler feeding and condensate systems and for high pressure washing plants.

OPERATING CONDITIONS

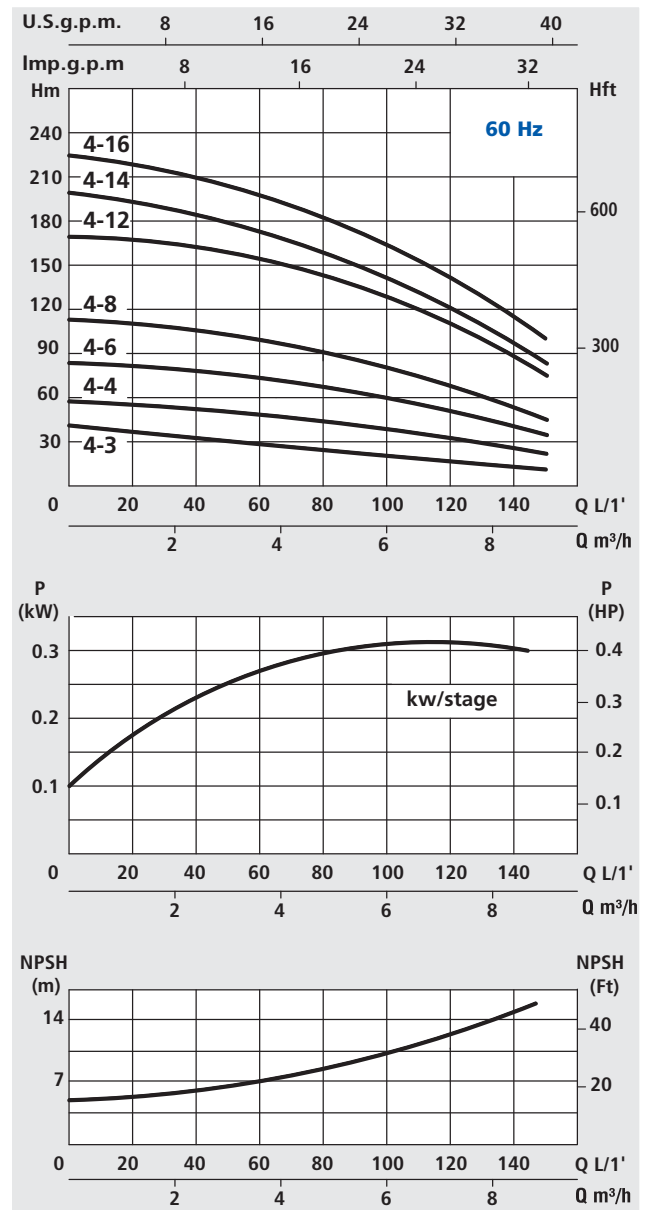
- Temperature of liquid from 0°C to 110°C (max)
- Ambient temperature max to 40°C
- Max. working pressure 25 bar

MOTOR

- Electric standard motor (n = 3450 min⁻¹)
- Insulation Class F
- Protection IP 55

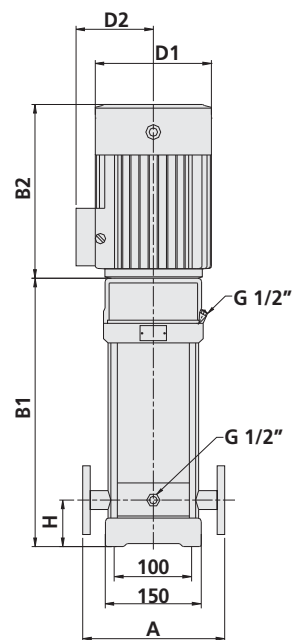
MATERIALS

- Suction casing	Stainless Steel Aisi 304
- Delivery casing	Stainless Steel Aisi 304
- Impeller	Stainless Steel Aisi 304
- External jacket	Stainless Steel Aisi 304
- Counterflanges	Stainless Steel Aisi 304
- Upper cover	Stainless Steel Aisi 304
- Lower cover	Stainless Steel Aisi 304
- Pump shaft	Stainless Steel Aisi 303
- Mechanical seal	Silicon/Graphite

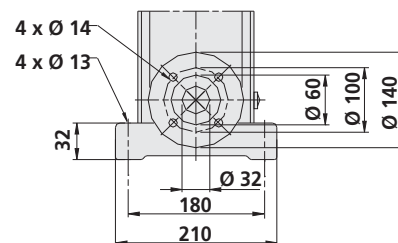


TECHNICAL DATA

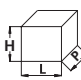
TYPE		NOMINAL POWER P2		AMPERE		Q = CAPACITY									
Single-phase	Three-phase	HP	kW	Single-phase	Three-phase	m³/h	2	2,5	3	4	5	6	7	8	9
220V-60Hz	220/380V-60Hz			1 x 220V-60Hz	3 x 380V-60Hz	lt/1'	33	41,5	50	66	83	100	116	133	150
VSSM 4-3	VSS 4-3	1,5	1,1	6,9	3	Total head in meters w.c.									
	VSS 4-4	2	1,5	9,1	4,2	H (m)	39	38	36	32	28	24	21	18	
	VSS 4-6	3	2,2	12,4	5,3		52	50	48	44	38	35	31	22	
	VSS 4-8	4	3		6,6		78	75	72	67	59	54	47	33	
	VSS 4-12	5,5	4		9,4		104	100	95	90	79	72	63	44	
	VSS 4-14	7,5	5,5		12		156	150	145	136	122	109	96	74	
	VSS 4-16	7,5	5,5		12		182	176	170	159	145	129	112	86	
							207	201	196	183	165	146	128	98	



DN 32 1" 1/4



DIMENSIONS AND WEIGHTS

TYPE		DIMENSIONS mm								DIMENSIONS mm 			Weight
Single-phase	Three-phase	A	H	B1	B2	B1 + B2	D1	D2	Flange	P	L	H	Kg
VSSM 4-3	VSS 4-3	250	75	313	245	558	170	142	DN 32 1" 1/4	300	750	300	20
VSSM 4-4	VSS 4-4	250	75	350	290	640	190	155	DN 32 1" 1/4	300	750	300	25
VSSM 4-6	VSS 4-6	250	75	404	290	694	190	155	DN 32 1" 1/4	300	750	300	35
	VSS 4-8	250	75	468	315	783	197	165	DN 32 1" 1/4	350	950	350	40
	VSS 4-12	250	75	576	335	911	230	188	DN 32 1" 1/4	350	1100	350	45
	VSS 4-14	250	75	650	430	1080	360	208	DN 32 1" 1/4	400	1200	350	70
	VSS 4-16	250	75	704	430	1134	260	208	DN 32 1" 1/4	400	1200	350	70

APPLICATION

Universal pumps for domestic or municipal water supply systems, for clean non-explosive liquids without solid or abrasive substances, for agricultural irrigation and sports application, for civil and industrial use, boiler feeding and condensate systems and for high pressure washing plants.

OPERATING CONDITIONS

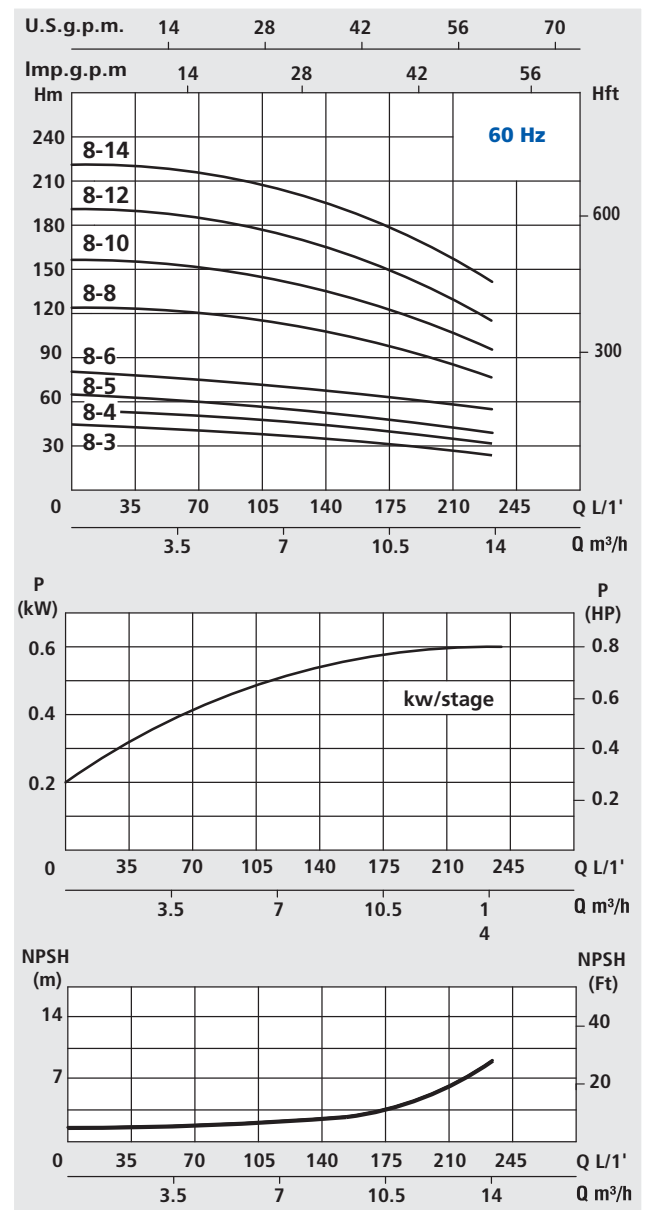
- Temperature of liquid from 0°C to 110°C (max)
- Ambient temperature max to 40°C
- Max. working pressure 25 bar

MOTOR

- Electric standard motor (n = 3450 min⁻¹)
- Insulation Class F
- Protection IP 55

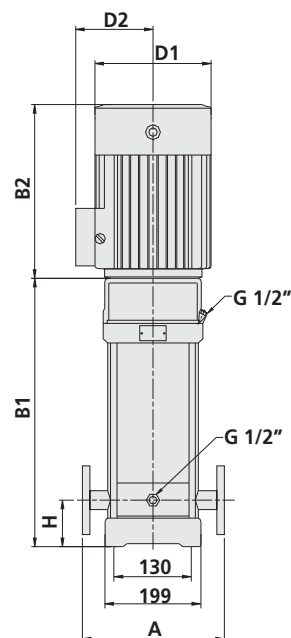
MATERIALS

- | | |
|-------------------|--------------------------|
| - Suction casing | Stainless Steel Aisi 304 |
| - Delivery casing | Stainless Steel Aisi 304 |
| - Impeller | Stainless Steel Aisi 304 |
| - External jacket | Stainless Steel Aisi 304 |
| - Counterflanges | Stainless Steel Aisi 304 |
| - Upper cover | Stainless Steel Aisi 304 |
| - Lower cover | Stainless Steel Aisi 304 |
| - Pump shaft | Stainless Steel Aisi 303 |
| - Mechanical seal | Silicon/Graphite |

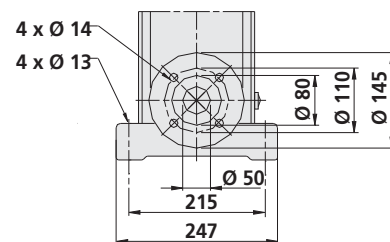


TECHNICAL DATA

TYPE		NOMINAL POWER P2		AMPERE		Q = CAPACITY																		
Single-phase	Three-phase	HP	kW	Single-phase	Three-phase	m³/h	6	7	8	9	10	11	12	13	14									
220V-60Hz	220/380V-60Hz			1 x 220V-60Hz	3 x 380V-60Hz	lt/1'	100	116	133	150	166	183	200	216	233									
VSSM 8-3	VSS 8-3	3	2,2	12,4	5,3	Total head in meters w.c.																		
	VSS 8-4	4	3		6,6																			
	VSS 8-5	4	3		6,6																			
	VSS 8-6	5,5	4		9,4																			
	VSS 8-8	7,5	5,5		12																			
	VSS 8-10	10	7,5		16																			
	VSS 8-12	10	7,5		16																			
	VSS 8-14	15	11		22																			
H (m)																	41	40	38	37	35	33	30	28
																	55	54	52	50	47	45	42	38
						70	68	65	63	59	56	52	47											
						85	82	78	76	72	68	62	57											
						115	110	105	101	97	91	84	75											
						145	140	132	126	122	115	105	95											
						173	167	160	152	147	132	125	115											
						202	195	188	179	174	163	147	135											



DN 40 1" 1/2



DIMENSIONS AND WEIGHTS

TYPE		DIMENSIONS mm								DIMENSIONS mm			Weight
Single-phase	Three-phase	A	H	B1	B2	B1 + B2	D1	D2	Flange	P	L	H	Kg
VSSM 8-3	VSS 8-3	280	80	387	290	677	192	155	DN 40 1" 1/2	300	750	300	37
	VSS 8-4	280	80	427	315	742	197	165	DN 40 1" 1/2	350	950	350	40
	VSS 8-5	280	80	457	315	772	197	165	DN 40 1" 1/2	350	950	350	47
	VSS 8-6	280	80	487	335	822	230	188	DN 40 1" 1/2	350	950	350	52
	VSS 8-8	280	80	567	430	997	260	188	DN 40 1" 1/2	350	1100	350	77
	VSS 8-10	280	80	267	430	1057	260	208	DN 40 1" 1/2	400	1200	350	87
	VSS 8-12	280	80	687	430	1117	260	208	DN 40 1" 1/2	500	1500	400	87
	VSS 8-14	280	80	835	490	1325	330	255	DN 40 1" 1/2	500	1500	400	132

APPLICATION

Universal pumps for domestic or municipal water supply systems, for clean non-explosive liquids without solid or abrasive substances, for agricultural irrigation and sports application, for civil and industrial use, boiler feeding and condensate systems and for high pressure washing plants.

OPERATING CONDITIONS

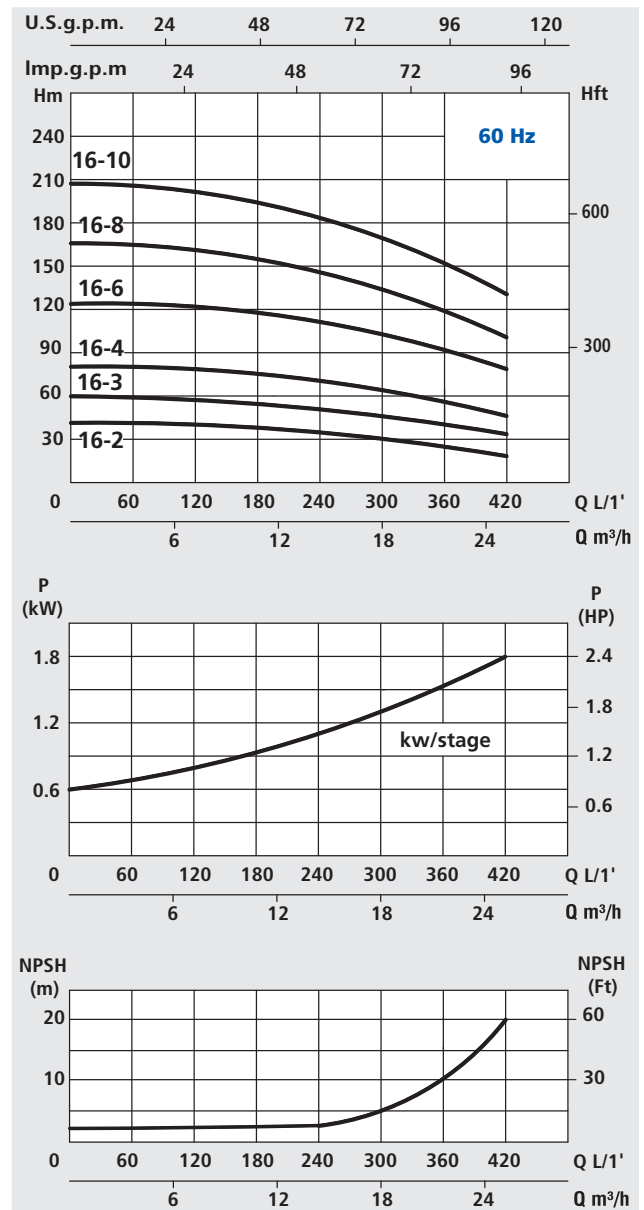
- Temperature of liquid from 0°C to 110°C (max)
- Ambient temperature max to 40°C
- Max. working pressure 25 bar

MOTOR

- Electric standard motor ($n = 3450 \text{ min}^{-1}$)
- Insulation Class F
- Protection IP 55

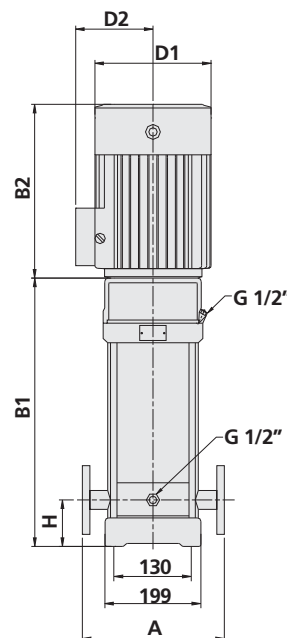
MATERIALS

- | | |
|-------------------|--------------------------|
| - Suction casing | Stainless Steel Aisi 304 |
| - Delivery casing | Stainless Steel Aisi 304 |
| - Impeller | Stainless Steel Aisi 304 |
| - External jacket | Stainless Steel Aisi 304 |
| - Counterflanges | Stainless Steel Aisi 304 |
| - Upper cover | Stainless Steel Aisi 304 |
| - Lower cover | Stainless Steel Aisi 304 |
| - Pump shaft | Stainless Steel Aisi 303 |
| - Mechanical seal | Silicon/Graphite |

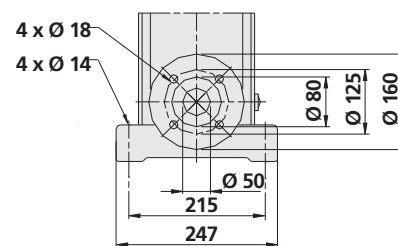


TECHNICAL DATA

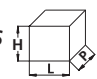
TYPE	NOMINAL POWER P2		AMPERE	Q = CAPACITY											
				Three-phase		m³/h	10	12	14	16	18	20	22	24	26
Three-phase			Three-phase	lt/1'	166	200	233	266	300	333	366	400	433		
220/380V-60Hz	HP	kW	3 x 380V-60Hz	Total head in meters w.c.											
VSS 16-2	5,5	4	9,4	H (m)	38	37	36	35	34	32	30	27	24		
VSS 16-3	7,5	5,5	12		57	56	55	54	51	48	45	40	36		
VSS 16-4	10	7,5	16		76	75	73	72	68	64	60	54	49		
VSS 16-6	15	11	22		115	113	111	108	102	96	91	82	75		
VSS 16-8	20	15	30		155	152	148	144	137	130	122	111	101		
VSS 16-10	25	18,5	37		197	192	187	181	174	165	153	139	127		



DN 50 2"



DIMENSIONS AND WEIGHTS

TYPE	DIMENSIONS mm								DIMENSIONS mm 			Weight Kg
	A	H	B1	B2	B1 + B2	D1	D2	Flange	P	L	H	
Three-phase												
VSS 16-2	300	90	407	335	742	230	188	DN 50 2"	350	950	350	52
VSS 16-3	300	90	472	430	902	260	208	DN 50 2"	350	950	350	72
VSS 16-4	300	90	517	430	947	260	208	DN 50 2"	350	1100	350	82
VSS 16-6	300	90	695	490	1185	330	255	DN 50 2"	500	1500	400	147
VSS 16-8	300	90	785	490	1275	330	255	DN 50 2"	500	1500	400	162
VSS 16-10	300	90	875	550	1425	330	255	DN 50 2"	500	1700	400	192

APPLICATION

Universal pumps for domestic or municipal water supply systems, for clean non-explosive liquids without solid or abrasive substances, for agricultural irrigation and sports application, for civil and industrial use, boiler feeding and condensate systems and for high pressure washing plants.

OPERATING CONDITIONS

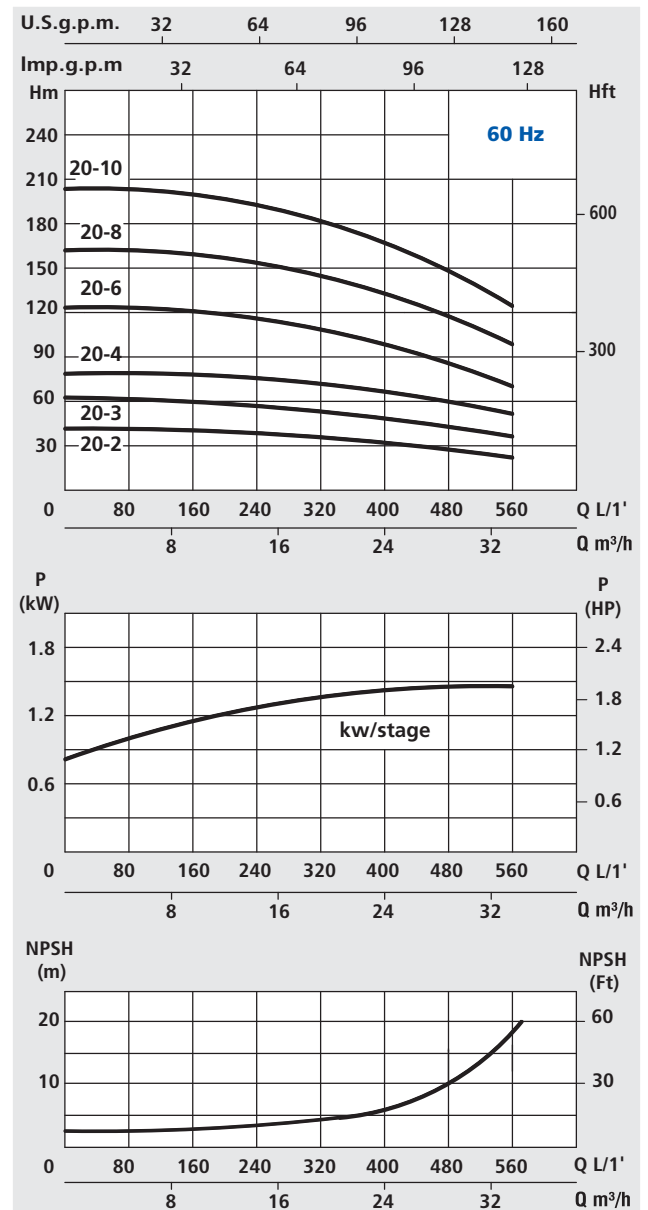
- Temperature of liquid from 0°C to 110°C (max)
- Ambient temperature max to 40°C
- Max. working pressure 25 bar

MOTOR

- Electric standard motor ($n = 3450 \text{ min}^{-1}$)
- Insulation Class F
- Protection IP 55

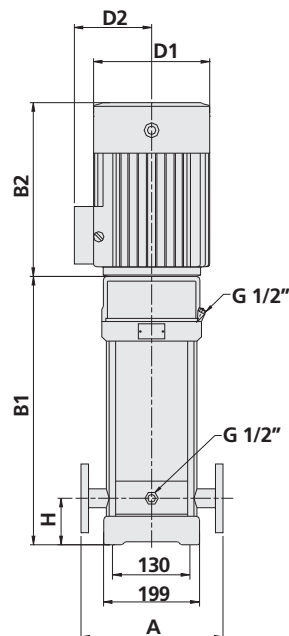
MATERIALS

- | | |
|-------------------|--------------------------|
| - Suction casing | Stainless Steel Aisi 304 |
| - Delivery casing | Stainless Steel Aisi 304 |
| - Impeller | Stainless Steel Aisi 304 |
| - External jacket | Stainless Steel Aisi 304 |
| - Counterflanges | Stainless Steel Aisi 304 |
| - Upper cover | Stainless Steel Aisi 304 |
| - Lower cover | Stainless Steel Aisi 304 |
| - Pump shaft | Stainless Steel Aisi 303 |
| - Mechanical seal | Silicon/Graphite |

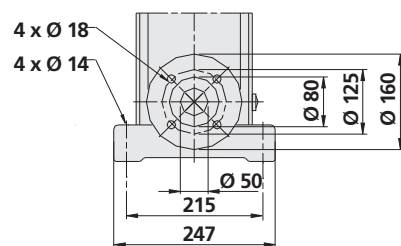


TECHNICAL DATA

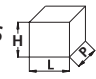
TYPE	NOMINAL POWER P2		AMPERE	Q = CAPACITY												
				Three-phase		m³/h	12	16	20	24	28	32	34	36	40	
Three-phase			Three-phase	lt/1'	200	266	333	400	466	533	566	600	666			
220/380V-60Hz	HP	kW	3 x 380V-60Hz	Total head in meters w.c.												
VSS 20-2	5,5	4	9,4	H (m)	38	37	35	32	29	24	21					
VSS 20-3	7,5	5,5	12		58	56	53	50	45	38	33					
VSS 20-4	10	7,5	16		78	75	72	67	60	51	45					
VSS 20-6	15	11	22		118	113	108	102	91	77	70					
VSS 20-8	20	15	30		158	153	146	137	123	105	96					
VSS 20-10	25	18,5	37		198	193	185	172	155	133	122					



DN 50 2"



DIMENSIONS AND WEIGHTS

TYPE	DIMENSIONS mm								DIMENSIONS mm 			Weight Kg
	A	H	B1	B2	B1 + B2	D1	D2	Flange	P	L	H	
Three-phase												
VSS 20-2	300	90	407	335	742	230	188	DN 50 2"	350	950	350	55
VSS 20-3	300	90	472	430	902	260	208	DN 50 2"	350	950	350	70
VSS 20-4	300	90	517	430	947	260	208	DN 50 2"	350	1100	350	77
VSS 20-6	300	90	695	490	1185	330	255	DN 50 2"	500	1500	400	135
VSS 20-8	300	90	785	490	1275	330	255	DN 50 2"	500	1500	400	150
VSS 20-10	300	90	875	550	1425	330	255	DN 50 2"	500	1700	400	173

APPLICATION

Universal pumps for domestic or municipal water supply systems, for clean non-explosive liquids without solid or abrasive substances, for agricultural irrigation and sports application, for civil and industrial use, boiler feeding and condensate systems and for high pressure washing plants.

OPERATING CONDITIONS

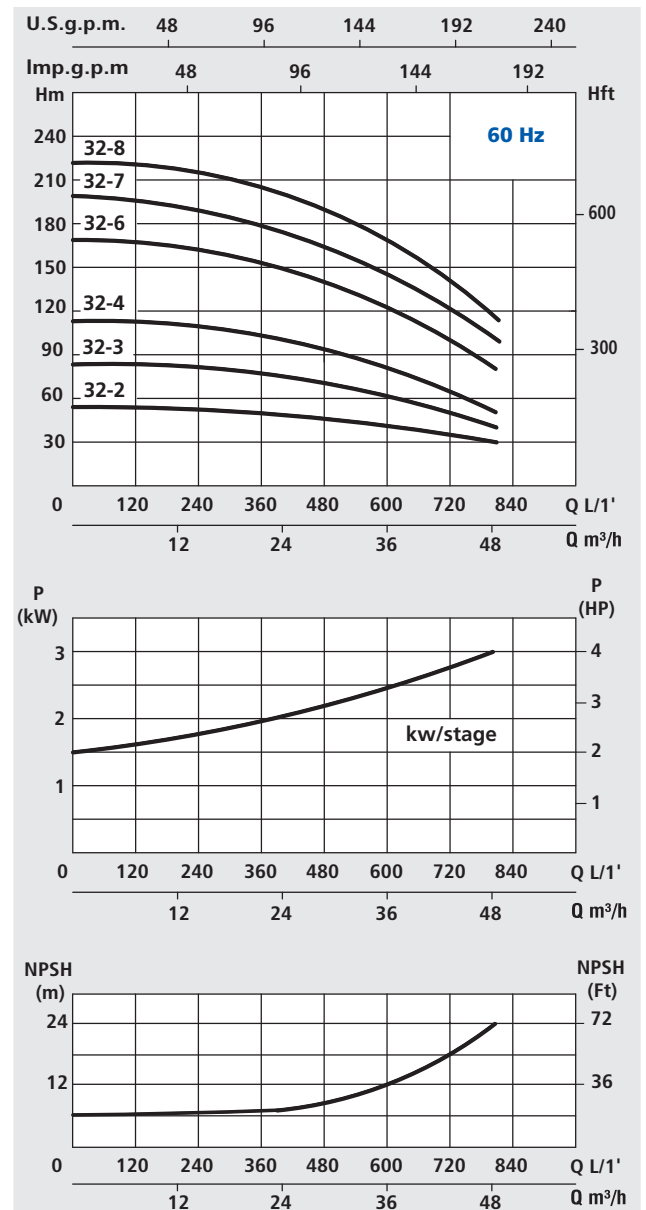
- Temperature of liquid from 0°C to 110°C (max)
- Ambient temperature max to 40°C
- Max. working pressure 25 bar

MOTOR

- Electric standard motor (n = 3450 min⁻¹)
- Insulation Class F
- Protection IP 55

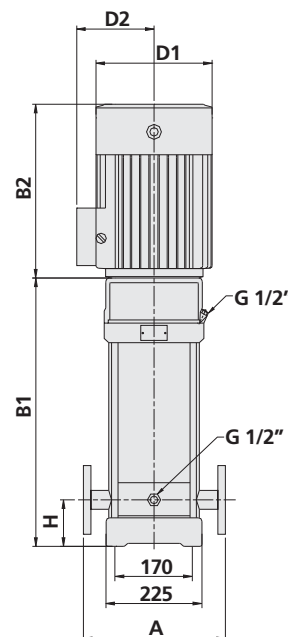
MATERIALS

- | | |
|-------------------|--------------------------|
| - Suction casing | Stainless Steel Aisi 304 |
| - Delivery casing | Stainless Steel Aisi 304 |
| - Impeller | Stainless Steel Aisi 304 |
| - External jacket | Stainless Steel Aisi 304 |
| - Counterflanges | Stainless Steel Aisi 304 |
| - Upper cover | Stainless Steel Aisi 304 |
| - Lower cover | Stainless Steel Aisi 304 |
| - Pump shaft | Stainless Steel Aisi 303 |
| - Mechanical seal | Silicon/Graphite |

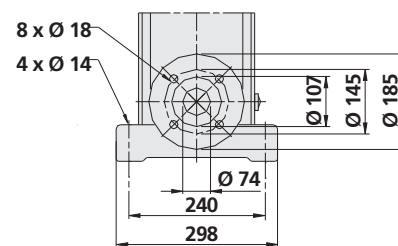


TECHNICAL DATA

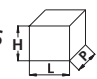
TYPE	NOMINAL POWER P2		AMPERE	Q = CAPACITY															
				Three-phase		m³/h	20	24	28	32	36	40	44	48	50				
Three-phase			Three-phase	lt/1'	333	400	466	533	600	666	733	800	833						
220/380V-60Hz	HP	kW	3 x 380V-60Hz	Total head in meters w.c.															
VSS 32-2	10	7,5	16	H (m)	52	50	48	45	41	37	33	27							
VSS 32-3	15	11	22		78	75	71	67	62	56	50	40							
VSS 32-4	20	15	30		104	101	96	91	83	75	66	55							
VSS 32-6	25	18,5	37		155	150	144	136	126	114	100	81							
VSS 32-7	30	22	45		182	176	168	159	148	133	118	97							
VSS 32-8	40	30	62		208	201	192	181	167	152	132	101							



DN 65 2"½



DIMENSIONS AND WEIGHTS

TYPE	DIMENSIONS mm								DIMENSIONS mm 			Weight Kg
	A	H	B1	B2	B1 + B2	D1	D2	Flange	P	L	H	
Three-phase												
VSS 32-2	320	105	575	430	1005	260	208	DN 65 2" ½	400	1200	350	115
VSS 32-3	320	105	750	490	1240	330	255	DN 65 2" ½	500	1500	400	175
VSS 32-4	320	105	820	490	1310	330	255	DN 65 2" ½	500	1500	400	210
VSS 32-6	320	105	960	550	1510	330	255	DN 65 2" ½	500	1700	400	250
VSS 32-7	320	105	1030	590	1620	360	285	DN 65 2" ½	500	1900	400	285
VSS 32-8	320	105	1100	660	1760	400	310	DN 65 2" ½	500	1900	400	330

APPLICATION

Universal pumps for domestic or municipal water supply systems, for clean non-explosive liquids without solid or abrasive substances, for agricultural irrigation and sports application, for civil and industrial use, boiler feeding and condensate systems and for high pressure washing plants.

OPERATING CONDITIONS

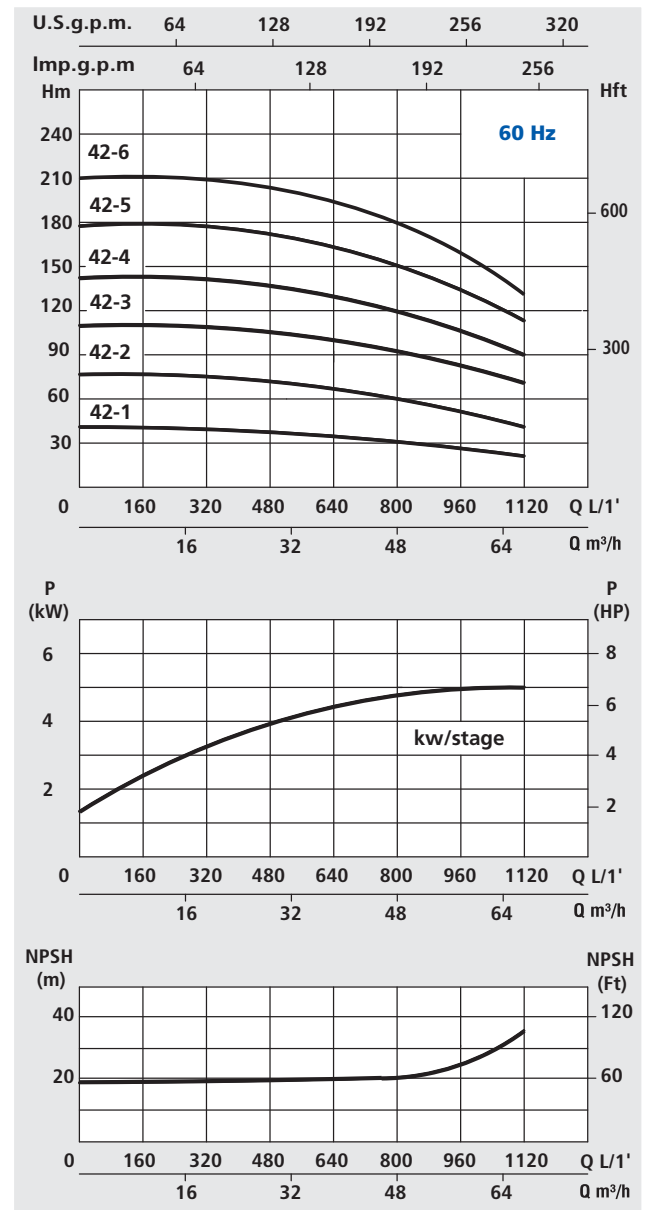
- Temperature of liquid from 0°C to 110°C (max)
- Ambient temperature max to 40°C
- Max. working pressure 25 bar

MOTOR

- Electric standard motor (n = 3450 min⁻¹)
- Insulation Class F
- Protection IP 55

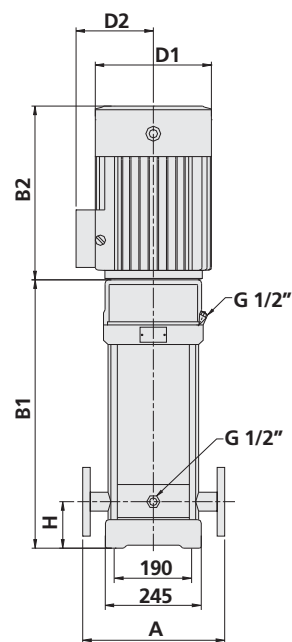
MATERIALS

- | | |
|-------------------|--------------------------|
| - Suction casing | Stainless Steel Aisi 304 |
| - Delivery casing | Stainless Steel Aisi 304 |
| - Impeller | Stainless Steel Aisi 304 |
| - External jacket | Stainless Steel Aisi 304 |
| - Counterflanges | Stainless Steel Aisi 304 |
| - Upper cover | Stainless Steel Aisi 304 |
| - Lower cover | Stainless Steel Aisi 304 |
| - Pump shaft | Stainless Steel Aisi 303 |
| - Mechanical seal | Silicon/Graphite |

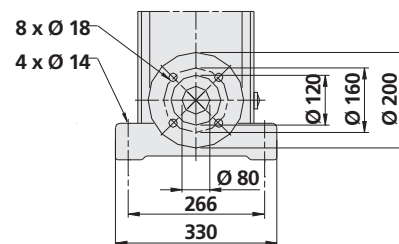


TECHNICAL DATA

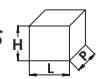
TYPE	NOMINAL POWER P2		AMPERE	Q = CAPACITY											
				Three-phase		m³/h	30	35	40	42	45	50	55	60	65
Three-phase			Three-phase	lt/1'	500	583	666	700	750	832	916	1000	1083		
220/380V-60Hz	HP	kW	3 x 380V-60Hz	Total head in meters w.c.											
VSS 42-1	10	7,5	16	H (m)	34	33	32	31	30	29	27	25	22		
VSS 42-2	20	15	30		69	67	65	63	61	59	55	50	44		
VSS 42-3	25	18,5	37		102	100	97	95	92	88	82	76	68		
VSS 42-4	40	30	62		136	133	129	126	123	117	112	102	89		
VSS 42-5	40	30	62		171	166	161	158	154	145	138	126	112		
VSS 42-6	50	37	74		205	200	193	190	186	176	166	152	134		



DN 80 3"



DIMENSIONS AND WEIGHTS

TYPE	DIMENSIONS mm								DIMENSIONS mm 			Weight Kg
	A	H	B1	B2	B1 + B2	D1	D2	Flange	P	L	H	
Three-phase												
VSS 42-1	365	140	561	430	992	260	208	DN 80 3"	400	1200	350	113
VSS 42-2	365	140	748	490	1238	330	255	DN 80 3"	500	1500	400	187
VSS 42-3	365	140	828	550	1378	330	255	DN 80 3"	500	1500	400	201
VSS 42-4	365	140	908	660	1568	400	310	DN 80 3"	500	1700	400	336
VSS 42-5	365	140	988	660	1648	400	310	DN 80 3"	500	1700	400	341
VSS 42-6	365	140	1068	660	1728	400	310	DN 80 3"	500	1900	400	365

APPLICATION

Universal pumps for domestic or municipal water supply systems, for clean non-explosive liquids without solid or abrasive substances, for agricultural irrigation and sports application, for civil and industrial use, boiler feeding and condensate systems and for high pressure washing plants.

OPERATING CONDITIONS

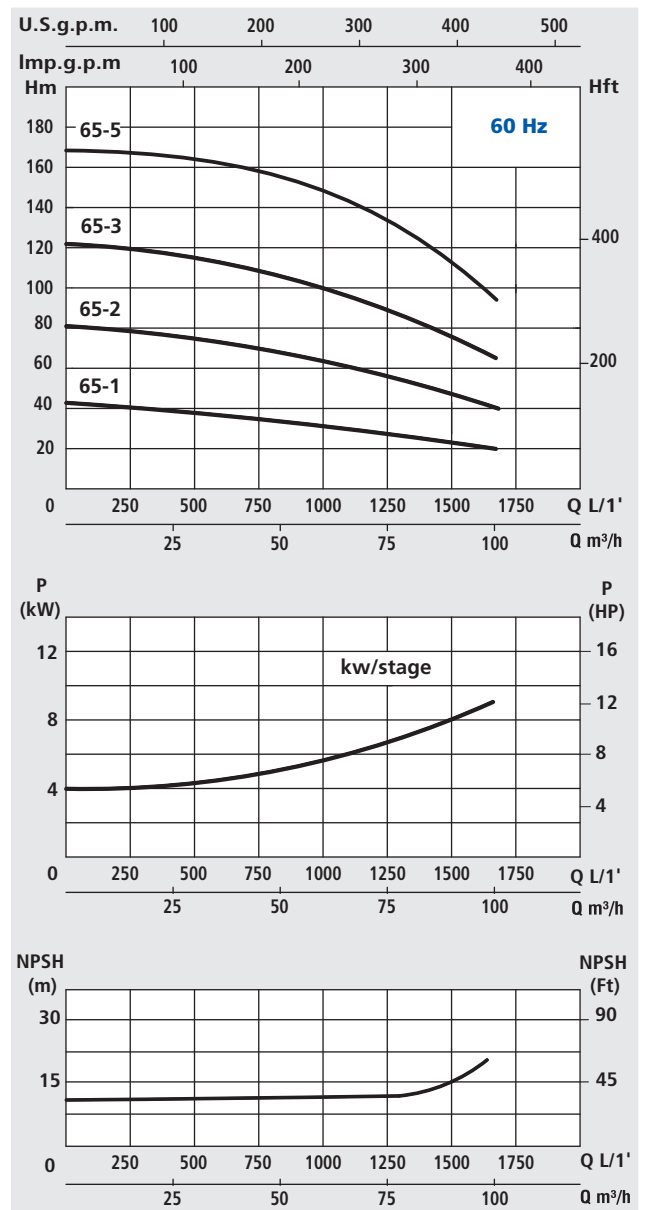
- Temperature of liquid from 0°C to 110°C (max)
- Ambient temperature max to 40°C
- Max. working pressure 25 bar

MOTOR

- Electric standard motor (n = 3450 min⁻¹)
- Insulation Class F
- Protection IP 55

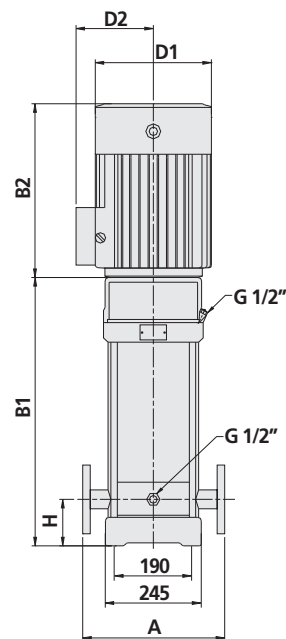
MATERIALS

- | | |
|-------------------|--------------------------|
| - Suction casing | Stainless Steel Aisi 304 |
| - Delivery casing | Stainless Steel Aisi 304 |
| - Impeller | Stainless Steel Aisi 304 |
| - External jacket | Stainless Steel Aisi 304 |
| - Counterflanges | Stainless Steel Aisi 304 |
| - Upper cover | Stainless Steel Aisi 304 |
| - Lower cover | Stainless Steel Aisi 304 |
| - Pump shaft | Stainless Steel Aisi 303 |
| - Mechanical seal | Silicon/Graphite |

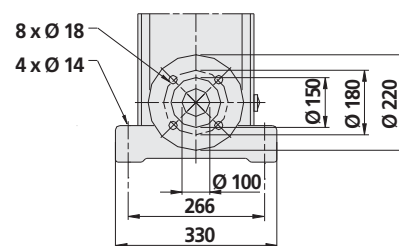


TECHNICAL DATA

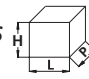
TYPE	NOMINAL POWER P2		AMPERE	Q = CAPACITY									
				Total head in meters w.c.									
Three-phase	HP	kW	Three-phase	m ³ /h	40	50	60	65	70	80	90	100	110
				lt/1'	666	832	1000	1083	1166	1333	1500	1666	1833
220/380V-60Hz			3 x 380V-60Hz										
VSS 65-1	15	11	22	H (m)	37	35	33	32	31	28	24	21	
VSS 65-2	30	22	45		74	72	67	64	62	57	51	42	
VSS 65-3	40	30	62		112	108	100	96	93	86	77	65	
VSS 65-5	60	45	90		172	162	151	144	137	126	112	91	



DN 100 4"



DIMENSIONS AND WEIGHTS

TIPO - TYPE	DIMENSIONS mm								DIMENSIONS mm 			Weight Kg
	A	H	B1	B2	B1 + B2	D1	D2	Flange	P	L	H	
Three-phase												
VSS 65-1	365	140	671	490	1161	330	255	DN 100 4"	400	1300	350	152
VSS 65-2	365	140	754	590	1344	360	285	DN 100 4"	500	1500	400	252
VSS 65-3	365	140	836	660	1496	400	310	DN 100 4"	500	1700	400	335
VSS 65-5	365	140	1001	700	1701	460	340	DN 100 4"	500	1900	400	430

APPLICATION

Selfpriming monoblock water pumps with open impeller.

The check valve inside the suction outlet avoids the syphon effect when stopping and assures the automatic re-start each time. The pump selfprimes even if partially filled and if the suction hose is completely empty. Suitable to drain clean or slightly dirty water and in flood irrigation systems.

OPERATING CONDITIONS

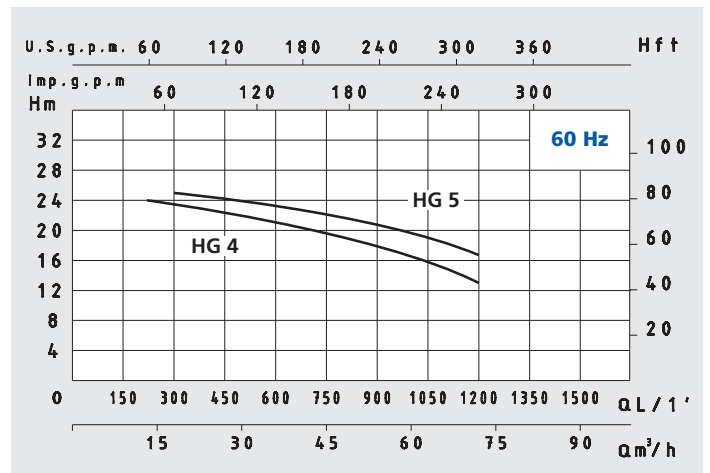
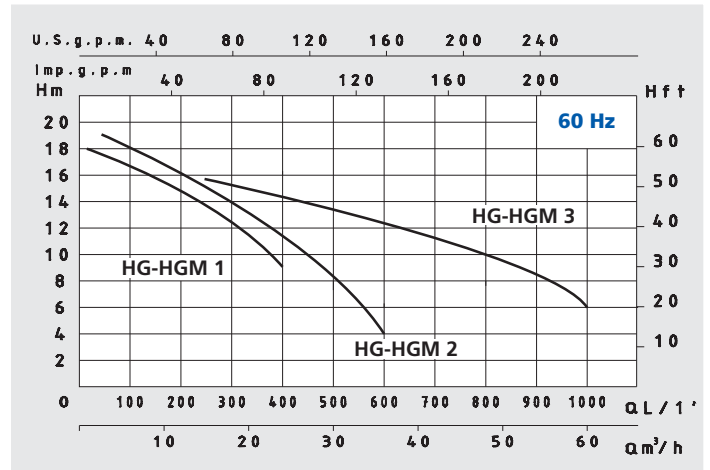
- Max working pressure 10 bar
- Liquid temperature up to 90°C
- Ambient temperature up to 40°C
- Total suction lift up to 7 mt.
- Continuous duty

MOTOR

- Two-Pole induction motor (n = 3450 min⁻¹)
- Insulation Class F
- Protection IP 44

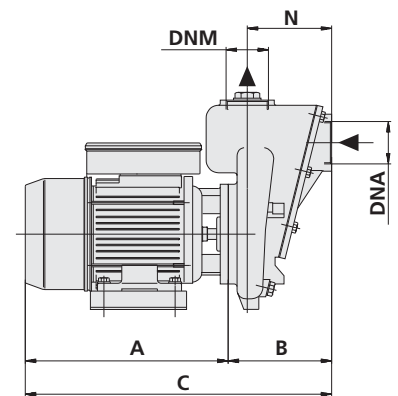
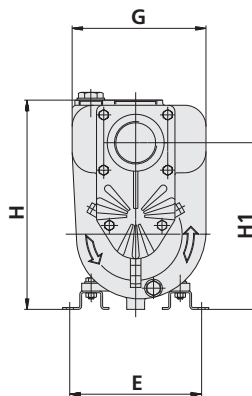
MATERIALS

- Pump body Cast Iron
- Motor Support Cast Iron
- Impeller Cast Iron
- Shaft with motor Stainless Steel
- Mechanical seal Ceramic/Graphite

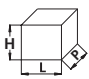


TECHNICAL DATA

TYPE		NOMINAL POWER P2		INPUT POWER P1	AMPERE		Q = CAPACITY												
Single-phase	Three-phase	HP	kW	kW	Single-phase	Three-phase	m³/h	1,5	3	6	12	18	24	36	48	60	72		
220V-60Hz	220/380V-60Hz				1 x 220V 60Hz	3 x 380V 60Hz	lt/1'	25	50	100	200	300	400	600	800	1000	1200		
HGM 1	HG 1	1,5	1,1	1,5	7	3	H (m)	18	17	16	15	12	9						
HGM 2	HG 2	2	1,5	2	9,3	4,2			19	18	16	14	11	4					
HGM 3	HG 3	3	2,2	2,7	12	5,3				17	16	15	14	13	10	6			
	HG 4	5,5	4	5,5		9,4						24	23	22	21	20	16	13	
	HG 5	7,5	5,5	7,5		12							25	24	23	22	20	17	



DIMENSIONS AND WEIGHTS

TYPE		DIMENSIONS mm										DIMENSIONS mm 			Weight
Single-phase	Three-phase	A	B	C	E	G	H	H1	N	DNA	DNM	P	L	H	Kg
HGM 1	HG 1	260	152	412	185	193	302	240	122	2"	2"	220	420	330	26
HGM 2	HG 2	260	152	412	185	193	302	240	122	2"	2"	220	420	330	28
HGM 3	HG 3	335	193	528	200	193	312	220	150	3"	3"	220	420	330	36
	HG 4	408	240	648	185	280	442	348	185	3"	3"	490	655	360	71
	HG 5	465	240	705	210	280	465	373	185	3"	3"	490	730	360	92

APPLICATION

Hand-carry submersible automatic water pumps.

Able to drain infiltrating water, cellars or reservoirs, clean or slightly dirty water and for garden irrigation.

OPERATING CONDITIONS

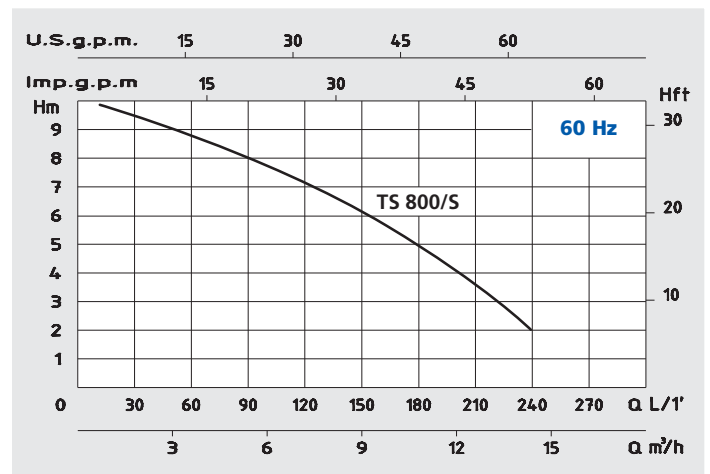
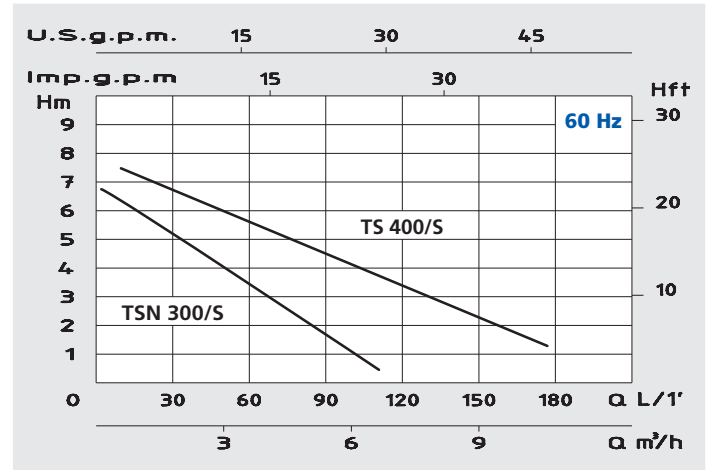
- Liquid temperature up to 35°C
- Submersion depth 5 mt.
- Grain size inlet -TSN 300 Ø 3mm
- Grain size inlet -TS 400 Ø 8mm
- Grain size inlet -TS 800 Ø 10mm
- Min. suction level -TSN 300 Ø 15mm
- Min. suction level -TS 400 Ø 20mm
- Min. suction level -TS 800 Ø 20mm

MOTOR

- Built-in overload motor protector with automatic reset
- Permanent split capacitor
- Insulation Class F
- Protection IP 68

MATERIALS

- Handle Moplen
- Pump body Moplen
- Impeller Noryl
- Motor casing Stainless Steel
- Shaft with rotor Stainless Steel
- Double oil seal



TECHNICAL DATA

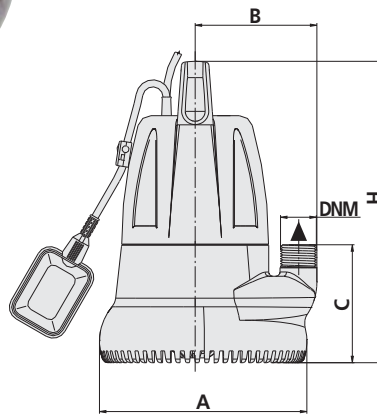
TYPE	INPUT POWER P1	AMPERE	Capacitor µf	Q = CAPACITY											
				m³/h	0,6	1,2	1,8	2,4	3,6	5,4	8,4	10,8	14,4	18	
With float switch		Single-phase		lt/1'	10	20	30	40	60	90	140	180	240	300	
220V-60Hz	Watt	1 x 220V-60Hz		Total head in meters w.c.											
TSN 300/S	300 W	1,6	5	H (m)	6,3	5,5	5,1	4,3	3,5	1,3					
TS 400/S	400 W	2	8		7,5	6,8	6,5	6	5,5	4,5	2,3				
TS 800/S	800 W	3,8	20		9,7	9,5	9,2	9	8,7	8	6,6	5	2		

TSN 300/S

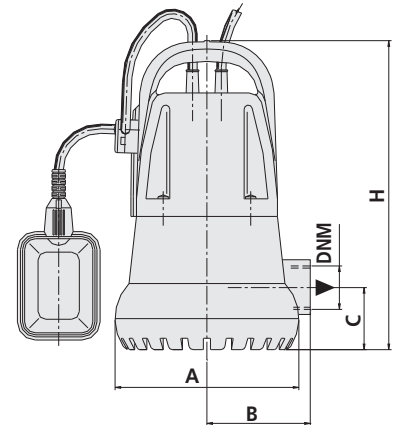


TS 400-800/S

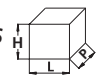
TSN 300/S



TS 400 - 800/S



DIMENSIONS AND WEIGHTS

TYPE	DIMENSIONS mm						DIMENSIONS mm 			Weight Kg
	A	B	C	H	DNM	CABLE	P	L	H	
With float switch										
TSN 300/S	180	113	112	280	1"	10 mt H05RNF	230	200	310	5
TS 400/S	180	94	60	300	1" 1/4	10 mt H07RNF	230	200	360	6
TS 800/S	180	94	60	350	1" 1/4	10 mt H07RNF	230	200	400	7,5

APPLICATION

Submersible water pumps with back impeller suitable to lift waste liquids even with suspended solids. Able to drain infiltrating water, cesspools or reservoirs, decanting water and clean, dirty or muddy swimming pools.

OPERATING CONDITIONS

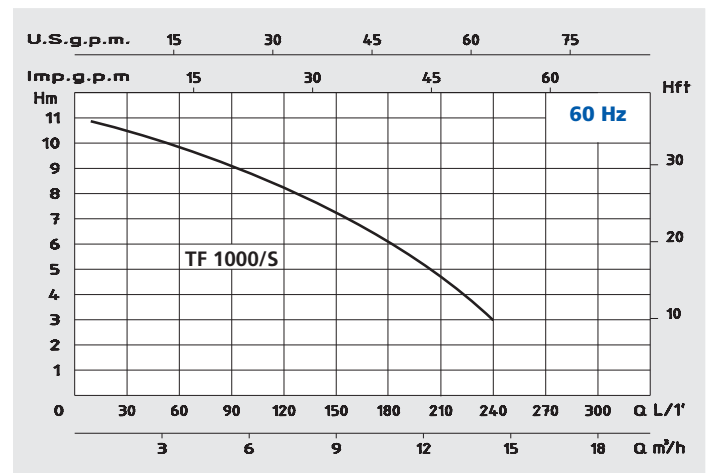
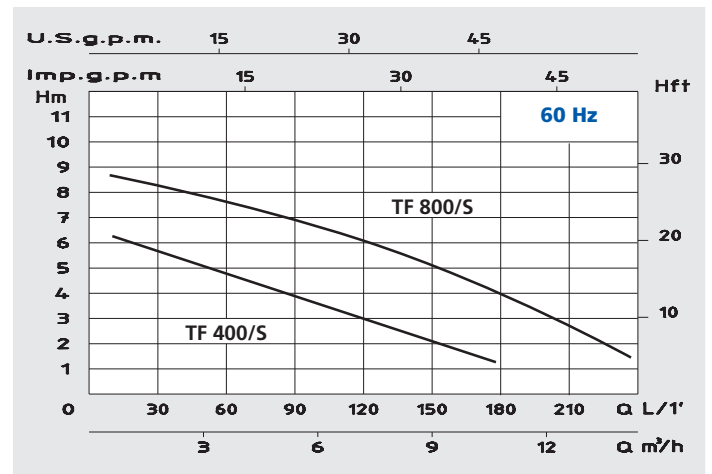
- Liquid temperature up to 35°C
- Submersion depth 5 mt.
- Grain size inlet Ø 25 mm (TF 400 S)
- Grain size inlet Ø 30 mm
- Min. suction level 40 mm

MOTOR

- Built-in overload motor protector with automatic reset
- Permanent split capacitor
- Insulation Class F
- Protection IP 68

MATERIALS

- Handle Moplen
- Pump body Moplen
- Impeller Noryl
- Impeller (TF 1000 S) Brass
- Motor casing Stainless Steel
- Shaft with rotor Stainless Steel
- Double oil seal



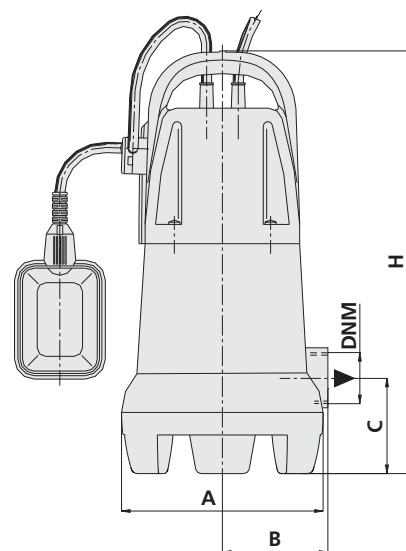
TECHNICAL DATA

TYPE	INPUT POWER P1	AMPERE	Capacitor µf	Q = CAPACITY											
				m³/h	0,6	1,2	1,8	2,4	3,6	5,4	8,4	10,8	14,4	18	
With float switch		Single-phase		lt/1'	10	20	30	40	60	90	140	180	240	300	
220V-60Hz	Watt	1 x 220V 60Hz		Total head in meters w.c.											
TF 400/S	400 W	2	8	H (m)	5,9	5,8	5,7	5,2	4,6	3,9	2,2				
TF 800/S	800 W	3,8	20		8,9	8,5	8,2	8	7,8	7	5,6	4			
TF 1000/S	1000 W	4,8	20		10,8	10,6	10,3	10,2	10	9	7,5	6	3		

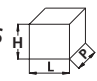
TF 400/S



TF 800-1000/S



DIMENSIONS AND WEIGHTS

TYPE	DIMENSIONS mm						DIMENSIONS mm 			Weight Kg
	A	B	C	H	DNM	CABLE	P	L	H	
With float switch										
TF 400/S	178	94	85	325	1" ¼	10 mt H07RNF	230	200	360	6
TF 800/S	178	94	85	375	1" ¼	10 mt H07RNF	230	200	400	7,5
TF 1000/S	178	94	85	375	1" ¼	10 mt H07RNF	230	200	400	8

APPLICATION

Hand-carry submersible automatic water pumps in stainless steel.

Able to drain infiltrating water, cellars or reservoirs, clean or slightly dirty water and for garden irrigation.

OPERATING CONDITIONS

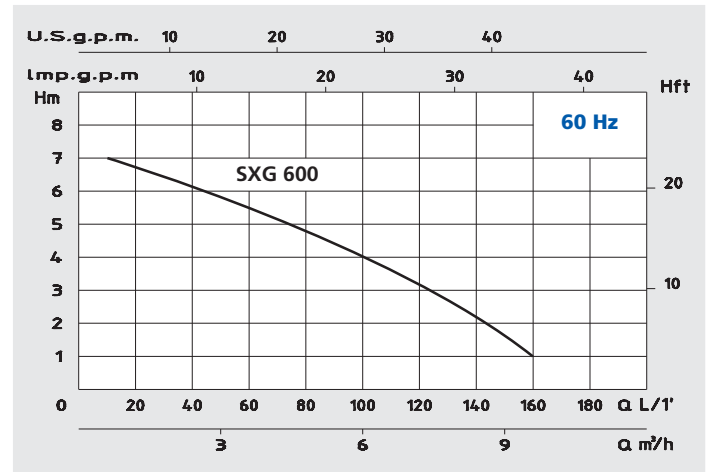
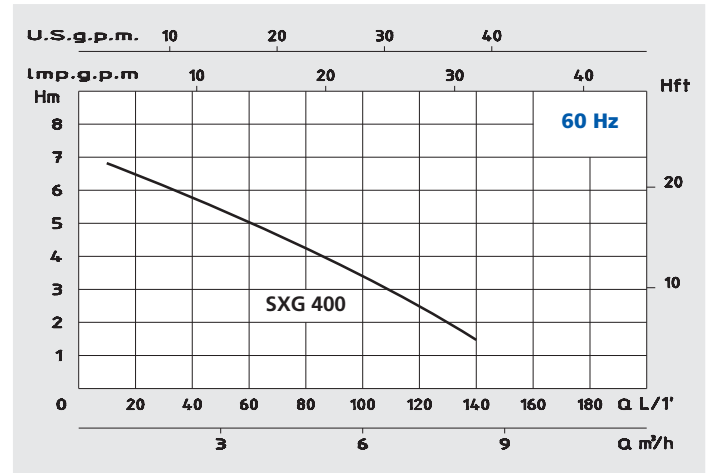
- Liquid temperature up to 35°C
- Submersion depth 5 mt.
- Grain size inlet -SXG 400 Ø 8mm
- Grain size inlet -SXG 600 Ø 10mm
- Min. suction level -SXG 400 Ø 15mm
- Min. suction level -SXG 600 Ø 20mm

MOTOR

- Built-in overload motor protector with automatic reset
- Permanent split capacitor
- Insulation Class F
- Protection IP 68

MATERIALS

- Pump body Stainless Steel
- Impeller Noryl
- Motor casing Stainless Steel
- Shaft with rotor Stainless Steel
- Double oil seal



TECHNICAL DATA

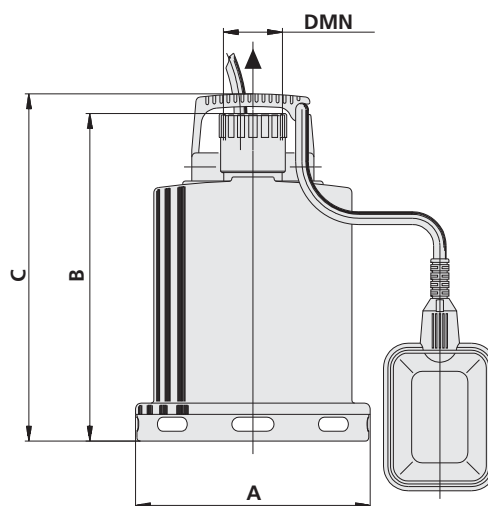
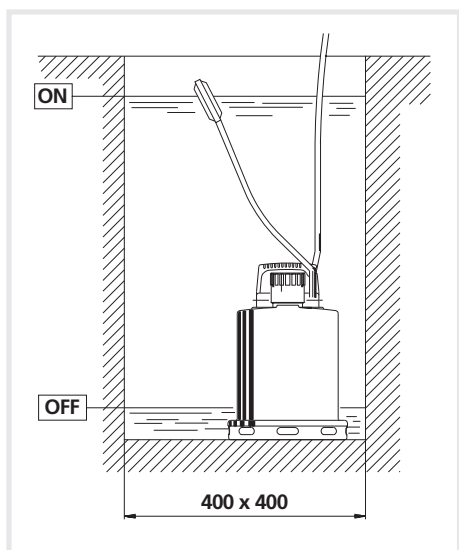
TYPE	INPUT POWER P1	AMPERE	Capacitor µf	Q = CAPACITY										
				m³/h	0,6	1,2	1,8	2,4	3,6	5,4	7,2	8,4	9,6	10,8
With float switch	Watt	Single-phase	8	lt/1'	10	20	30	40	60	90	120	140	160	180
220V-60Hz		1 x 220V 60Hz		Total head in meters w.c.										
SXG 400	400 W	2	8	H (m)	6,8	6,5	6,2	5,8	5	3,4	2,2	1,5		
SXG 600	550 W	3	8	H (m)	7	6,8	6,7	6,5	5,5	4,5	3	2	1	



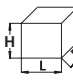
SXG 400



SXG 600



DIMENSIONS AND WEIGHTS

TYPE	DIMENSIONS mm					DIMENSIONS mm 			Weight Kg
	A	B	C	DNM	CABLE	P	L	H	
With float switch									
SXG 400	167	220	247	1" 1/4	10 mt H07RNF	230	200	310	5,9
SXG 600	167	220	247	1" 1/4	10 mt H07RNF	230	200	310	6

APPLICATION

Drainage submersible stainless steel water pumps with stainless steel impeller.

Able to drain decanting cesspools and to pump waste water for domestic and civil purposes.

OPERATING CONDITIONS

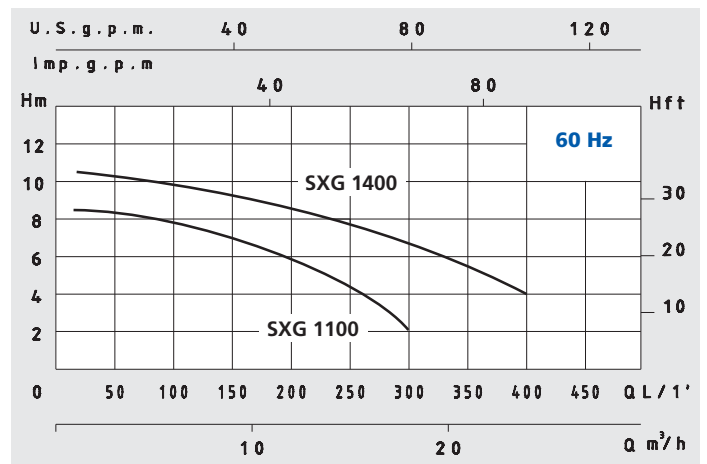
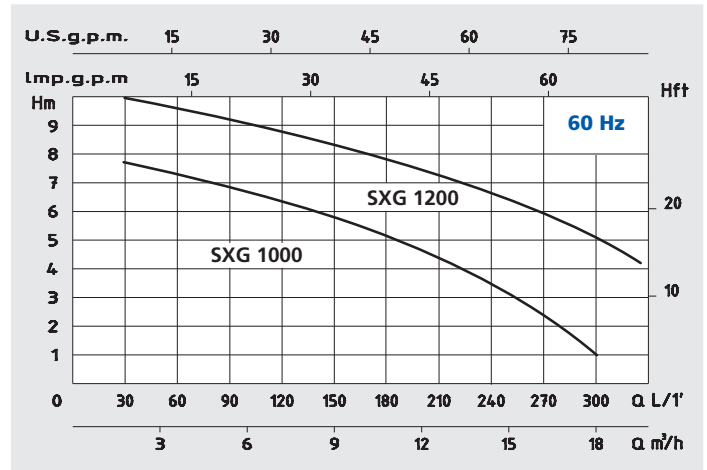
- Liquid temperature up to 35°C
- Submersion depth 5 mt.
- Grain size inlet Ø 35 mm
- Min. suction level 65 mm
- Continuous duty

MOTOR

- Dual chamber with oil bath motor for cooling and bearing lubrication
- Mechanical seal in oil bath
- Permanent split capacitor
- Insulation Class F
- Protection IP 68

MATERIALS

- | | |
|--------------------|---------------------------------|
| - Handle | Stainless Steel |
| - Motor casing | Stainless Steel |
| - Pump body | Cast Iron (SXG 1000-1200) |
| - Pump body | Stainless Steel (SXG 1100-1400) |
| - Impeller | Stainless Steel |
| - Suction grid | Stainless Steel |
| - Shaft with rotor | Stainless Steel |



TECHNICAL DATA

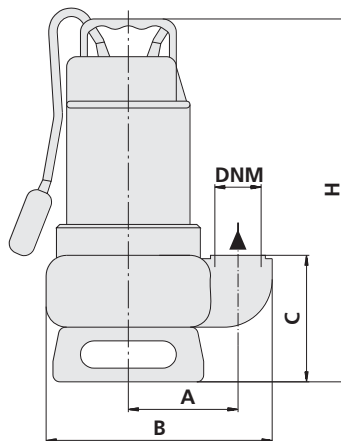
TYPE	INPUT POWER P1	AMPERE	Capacitor µf	Q = CAPACITY											
				m³/h	1,8	3,6	5,4	7,2	9	12	15	18	21	24	
With float switch	220V-60Hz	Single-phase	1 x 220V 60Hz	lt/1'	30	60	90	120	150	200	250	300	350	400	
Total head in meters w.c.															
SXG 1000	1100 W	5	16	H (m)	7,8	7,5	7	6,2	5,8	4,2	3	1			
SXG 1200	1400 W	6,5	20		10	9,5	9,2	8,5	8	7,8	6,5	5,8	4,2	3	
SXG 1100	1100 W	5	16		8,2	8	7,5	7	6,5	5	3,9	2			
SXG 1400	1400 W	6,5	20		10,5	10,2	10	9,2	8,8	8,5	7,8	6,2	5	4	

SXG 1000-1200

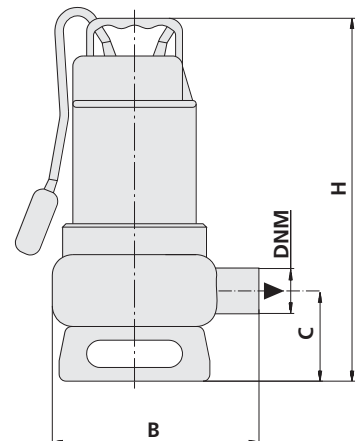


SXG 1100-1400

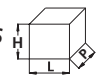
SXG 1000 - 1200



SXG 1100 - 1400



DIMENSIONS AND WEIGHTS

TYPE	DIMENSIONS mm						DIMENSIONS mm 			Weight Kg
	A	B	C	H	DNM	CABLE	P	L	H	
<i>With float switch</i>										
SXG 1000	112	232	131	368	1" 1/2	10 mt H07RNF	235	180	420	12
SXG 1200	112	232	131	368	2"	10 mt H07RNF	235	180	420	13,5
SXG 1100	-	213	92	366	1" 1/2	10 mt H07RNF	235	180	420	10
SXG 1400	-	213	92	366	2"	10 mt H07RNF	235	180	420	11,5

APPLICATION

Submersible drainage pumps with plunged open impeller with grid. Suitable for clean waters, even with small suspended solids, for drainage of flowing and collection rain waters.

OPERATING CONDITIONS

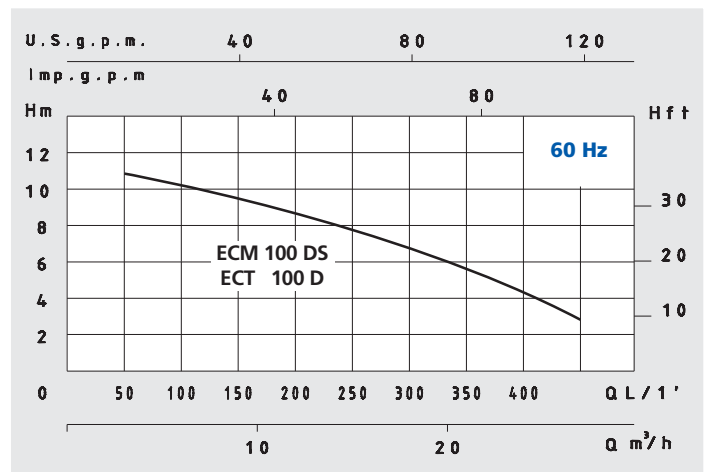
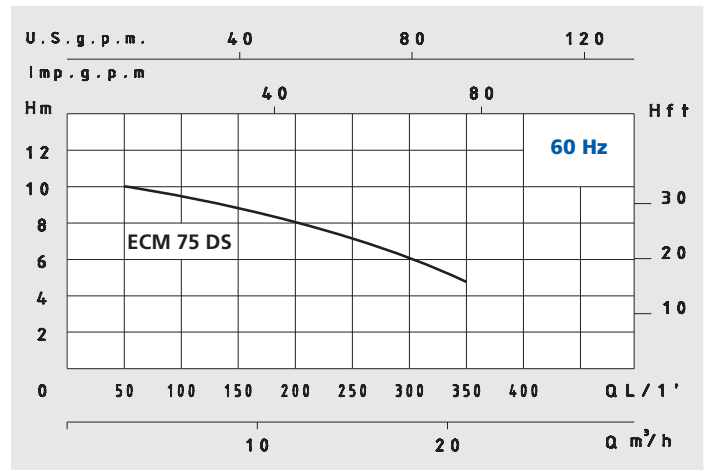
- Liquid temperature up to 35°C
- Submersion depth 20 mt.
- Grain size inlet \varnothing 10 mm
- Min. suction level 100 mm
- Continuous duty

MOTOR

- Insulation Class F
- Protection IP 68
- Thermic protection

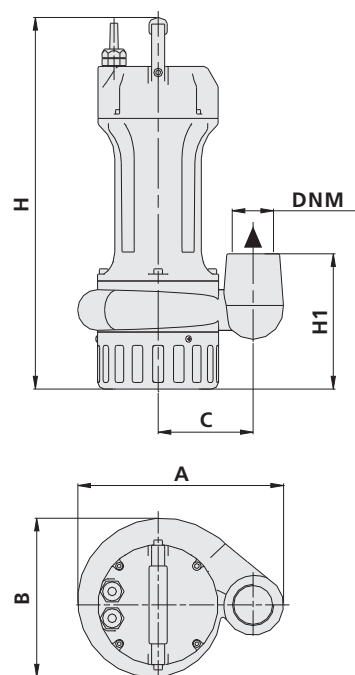
MATERIALS

- Motor body Cast Iron
- Pump body Cast Iron
- Impeller Cast Iron
- Shaft with rotor Stainless Steel
- Suction strainer Stainless Steel
- Mechanical seal Ceramic/Graphite
(on request Silicon/Silicon)

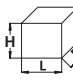


TECHNICAL DATA

TYPE		NOMINAL POWER			INPUT POWER		AMPERE		Q = CAPACITY									
Single-phase	Three-phase	P2		P1	Single-phase	Three-phase	m³/h	3	6	9	12	15	18	21	24	27	30	
220V-60Hz	220/380V-60Hz	HP	kW	kW	1 x 220V 60Hz	3 x 380V 60Hz	lt/1'	50	100	150	200	250	300	350	400	450	500	
ECM 75 DS		0,75	0,55	0,9	4		Total head in meters w.c.											
ECM 100 DS	ECT 100 D	1	0,75	1,1	4,8	2,2	H (m)	10	9,5	9	8	7	6	5				
								11	10,5	10	9	8	7	6	4,5	3		



DIMENSIONS AND WEIGHTS

TYPE		DIMENSIONS mm						DIMENSIONS mm 			Weight	
Single-phase	Three-phase	A	B	C	H	H1	DNM	CABLE	P	L	H	Kg
ECM 75 DS		238	184	110	440	157	1" 1/2	10 mt H07RNF	200	260	500	17,5
ECM 100 DS	ECT 100 D	238	184	110	440	157	1" 1/2	10 mt H07RNF	200	260	500	18

APPLICATION

Submersible drainage pumps with plunged back impeller Vortex type.

Suitable in civil and industrial water systems, for cesspool drainage with slightly dirty or foamy liquids, for oily waters cleaned by grid.

OPERATING CONDITIONS

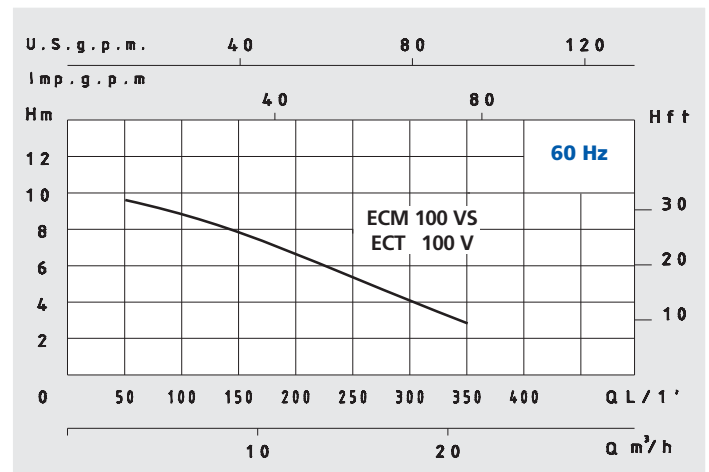
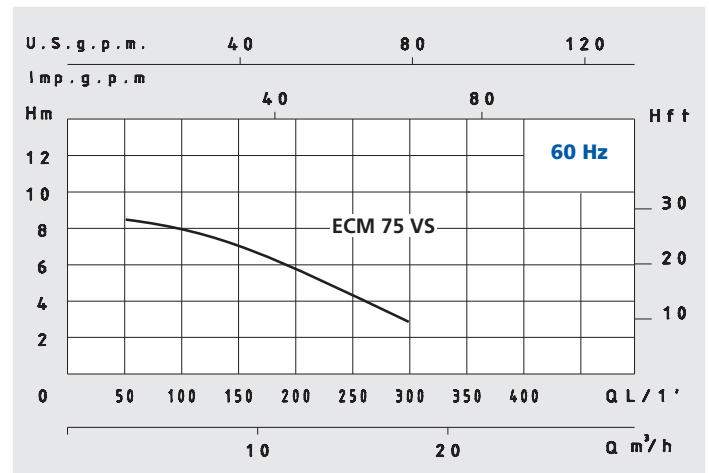
- Liquid temperature up to 35°C
- Submersion depth 20 mt.
- Grain size inlet Ø 30 mm
- Min. suction level 100 mm
- Continuous duty

MOTOR

- Insulation Class F
- Protection IP 68
- Thermic protection

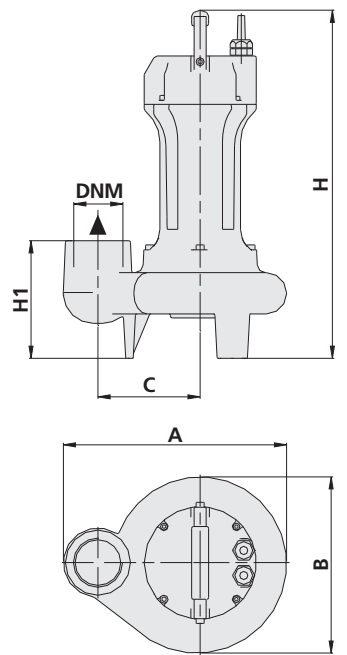
MATERIALS

- Motor body Cast Iron
- Pump body Cast Iron
- Impeller Cast Iron
- Shaft with rotor Stainless Steel
- Mechanical seal Ceramic/Graphite
(on request Silicon/Silicon)

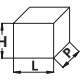


TECHNICAL DATA

TYPE		NOMINAL POWER P2		INPUT POWER P1	AMPERE		Q = CAPACITY										
Single-phase	Three-phase	HP	kW	kW	Single-phase	Three-phase	m³/h	3	6	9	12	15	18	21	24	27	30
220V-60Hz	220/380V-60Hz				1 x 220V 60Hz	3 x 380V 60Hz	lt/1'	50	100	150	200	250	300	350	400	450	500
ECM 75 VS		0,75	0,55	0,9	4		Total head in meters w.c.										
							H	8,5	8	7	5,5	4	3				
ECM 100 VS	ECT 100 V	1	0,75	1,1	4,8	2,2	(m)	9,5	9	8	6,5	5	4	3			



DIMENSIONS AND WEIGHTS

TYPE		DIMENSIONS mm							DIMENSIONS mm 			Weight
Single-phase	Three-phase	A	B	C	H	H1	DNM	CABLE	P	L	H	Kg
ECM 75 VS		278	218	126	430	145	2"	10 mt H07RNF	230	300	490	19,5
ECM 100 VS	ECT 100 V	278	218	126	430	145	2"	10 mt H07RNF	230	300	490	20

APPLICATION

Submersible drainage pumps with plunged back impeller Vortex type, which allows free passage of suspended parts. Suitable in civil and industrial water systems, for cesspool drainage with oily or chemical liquids, for dirty waters with solid and particularly fibrous particles and for zootechnical waste waters.

OPERATING CONDITIONS

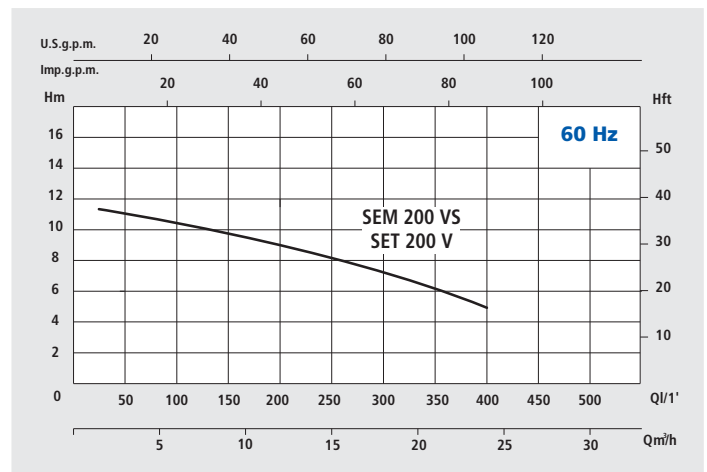
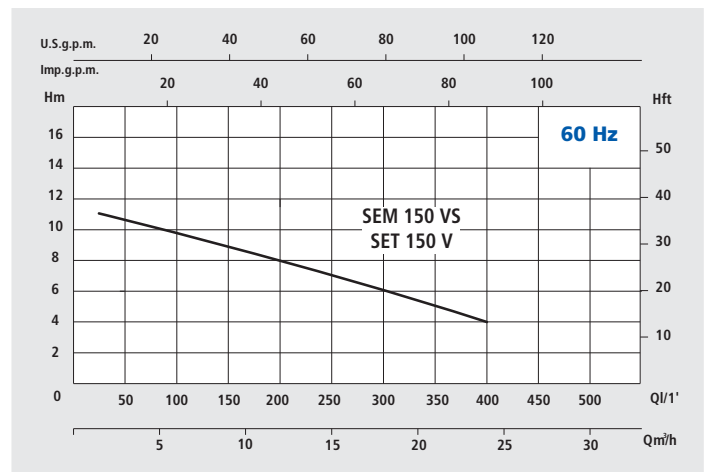
- Liquid temperature 0÷35°C (according to EN 60335-2-41) up to 50°C (for other uses)
- Submersion depth 20 mt.
- Grain size inlet Ø 40 mm
- Min. suction level 125 mm
- Continuous duty

MOTOR

- Insulation Class F
- Protection IP 68
- Thermic protection

MATERIALS

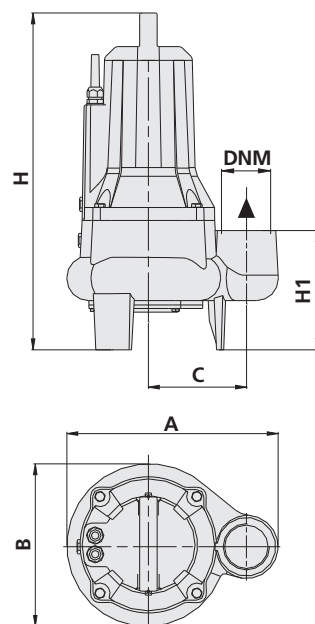
- Motor body Cast Iron
- Pump body Cast Iron
- Impeller Cast Iron
- Shaft with rotor Stainless Steel
- Double mechanical seal Silicon/Silicon + Ceramic/Graphite



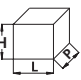
TECHNICAL DATA

TYPE		NOMINAL POWER			INPUT POWER		AMPERE		Q = CAPACITY									
Single-phase	Three-phase	P2		P1	Single-phase	Three-phase	m³/h	3	6	9	12	18	24	30	36	42	48	
		HP	kW	kW	1 x 220V 60Hz	3 x 380V 60Hz	lt/1'	50	100	150	200	300	400	500	600	700	800	
220V-60Hz	220/380V-60Hz						Total head in meters w.c.											
SEM 150 VS	SET 150 V	1,5	1,1	1,7	7,5	3,2	H	11	10	9	8	6	4					
SEM 200 VS	SET 200 V	2	1,5	1,9	8,5	3,5	(m)	11,5	11	10	9	7	5					

INCLUDED IN THE SINGLE-PHASE MODELS



DIMENSIONS AND WEIGHTS

TYPE		DIMENSIONS mm							DIMENSIONS mm 			Weight
Single-phase	Three-phase	A	B	C	H	H1	DNM	Grain size inlet (mm)	P	L	H	Kg
SEM 150 VS	SET 150 V	292	225	135	495	165	2"	Ø 40	240	310	510	33
SEM 200 VS	SET 200 V	292	225	135	495	165	2"	Ø 40	240	310	510	34

APPLICATION

Submersible drainage pumps with plunged back impeller Vortex type, which allows free passage of suspended parts. Suitable in civil and industrial water systems, for cesspool drainage with oily or chemical liquids, for dirty waters with solid and particularly fibrous particles and for zootechnical waste waters.

OPERATING CONDITIONS

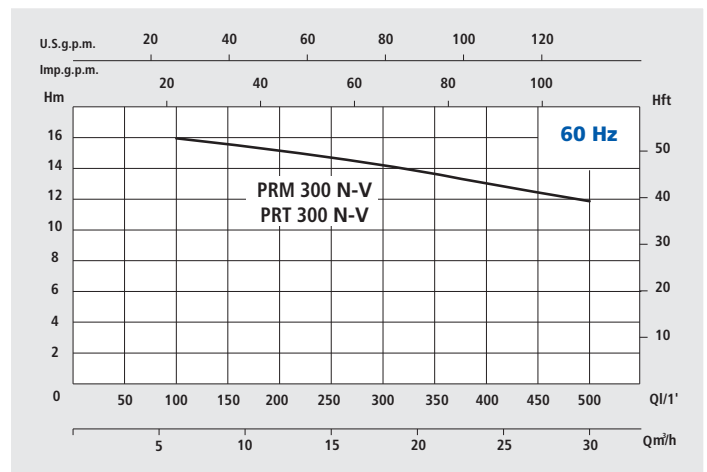
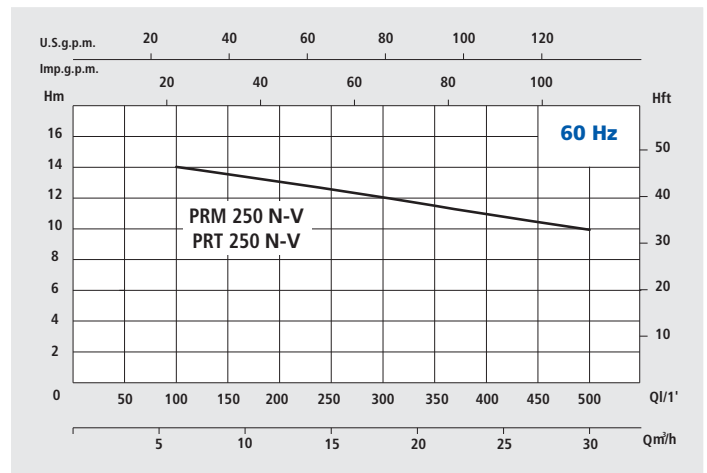
- Liquid temperature 0÷35°C (according to EN 60335-2-41) up to 50°C (for other uses)
- Submersion depth 20 mt.
- Grain size inlet Ø 50 mm
- Min. suction level 140 mm
- Continuous duty

MOTOR

- Insulation Class F
- Protection IP 68
- Thermic protection

MATERIALS

- Motor body Cast Iron
- Pump body Cast Iron
- Impeller Cast Iron
- Shaft with rotor Stainless Steel
- Double mechanical seal Silicon/Silicon + Ceramic/Graphite

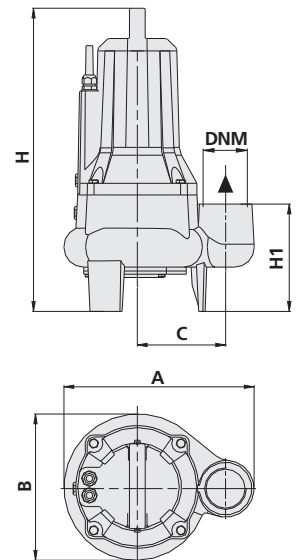


TECHNICAL DATA

TYPE		NOMINAL POWER P2		INPUT POWER P1	AMPERE		Q = CAPACITY										
Single-phase	Three-phase	HP	kW	kW	Single-phase	Three-phase	m³/h	3	6	9	12	15	18	21	24	36	48
220V-60Hz	220/380V-60Hz				1 x 220V 60Hz	3 x 380V 60Hz	lt/1'	50	100	150	200	250	300	350	400	600	800
PRM 250 N-V	PRT 250 N-V	2,5	1,85	2,6	11	4,6	H (m)	14,5	14	13,5	13	12,5	12	11,5	11	7	
PRM 300 N-V	PRT 300 N-V	3	2,2	3	14	5,5		16,5	16	15,5	15	14,5	14	13,5	13	9	



INCLUDED IN THE SINGLE-PHASE MODELS



DIMENSIONS AND WEIGHTS

TYPE		DIMENSIONS mm							DIMENSIONS mm			Weight
Single-phase	Three-phase	A	B	C	H	H1	DNM	Grain size inlet (mm)	P	L	H	Kg
PRM 250 N-V	PRT 250 N-V	339	250	160	548	203	2" 1/2	Ø 50	270	350	560	43
PRM 300 N-V	PRT 300 N-V	339	250	160	548	203	2" 1/2	Ø 50	270	350	560	44

APPLICATION

Submersible drainage pumps with plunged back impeller Vortex type, which allows free passage of suspended parts. Suitable in civil and industrial water systems, for cesspool drainage with oily or chemical liquids, for dirty waters with solid and particularly fibrous particles and for zootechnical waste waters.

OPERATING CONDITIONS

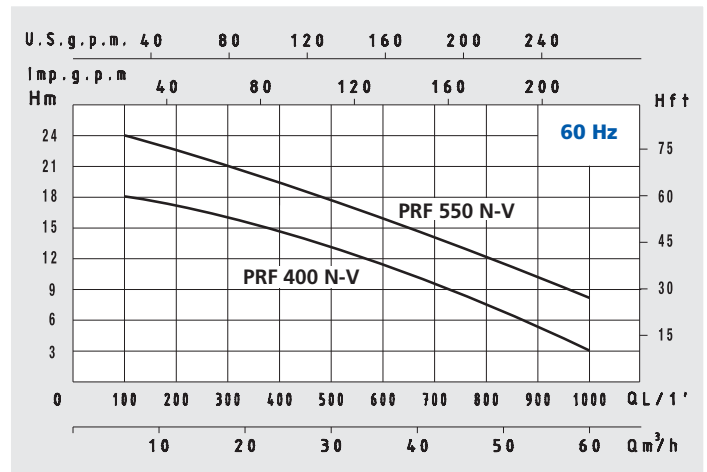
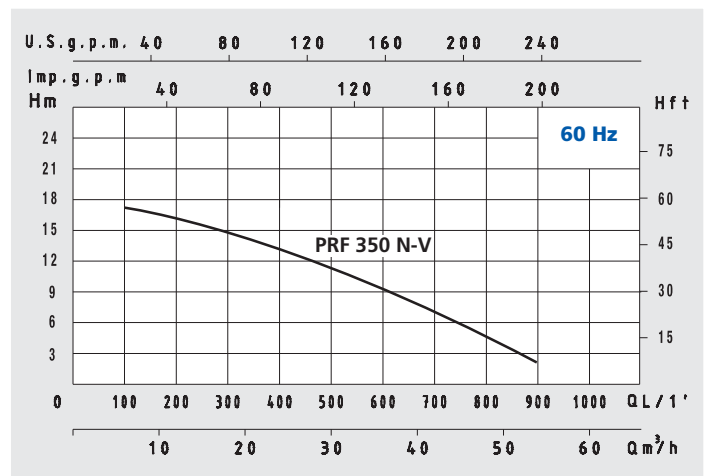
- Liquid temperature 0÷35°C (according to EN 60335-2-41) up to 50°C (for other uses)
- Submersion depth 20 mt.
- Grain size inlet Ø 70 mm
- Min. suction level 190 mm
- Continuous duty

MOTOR

- Insulation Class F
- Protection IP 68
- Thermic protection

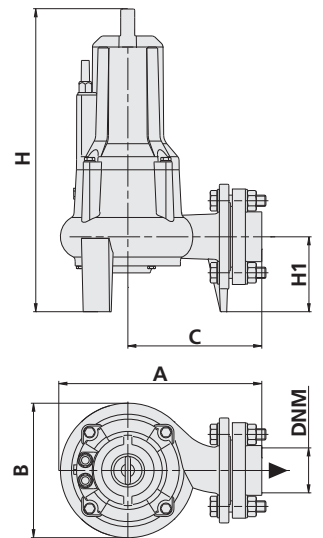
MATERIALS

- Motor body Cast Iron
- Pump body Cast Iron
- Impeller Cast Iron
- Shaft with rotor Stainless Steel
- Double mechanical seal Silicon/Silicon + Ceramic/Graphite

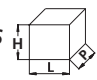


TECHNICAL DATA

TYPE	NOMINAL POWER P2		INPUT POWER P1	AMPERE	Q = CAPACITY													
	HP	kW			kW	Three-phase												
Three-phase					m³/h: 6, 12, 18, 24, 36, 48, 54, 60, 66, 72 lt/1': 100, 200, 300, 400, 600, 800, 900, 1000, 1100, 1200													
220/380V-60Hz			3 x 380V-60Hz		Total head in meters w.c.													
PRF 350 N-V	3,5	2,5	3,5	6	H (m)	17	16	15	13	9	5	2						
PRF 400 N-V	4	3	4	6,8		18	17	16	14	11	7	4	3					
PRF 550 N-V	5,5	4	7,5	12,2		24	23	21	19	16	12	10	8					



DIMENSIONS AND WEIGHTS

TYPE	DIMENSIONS mm							DIMENSIONS mm 			Weight
	A	B	C	H	H1	DNM	Grain size inlet (mm)	P	L	H	Kg
Three-phase											
PRF 350 N-V	358	256	229	593	143	3"	Ø 70	275	380	610	45
PRF 400 N-V	358	256	229	607	143	3"	Ø 70	275	380	610	48
PRF 550 N-V	358	256	229	628	143	3"	Ø 70	275	380	650	51

APPLICATION

Submersible drainage pumps with closed single-blade impeller, which allows free passage of suspended parts and high performance.

Suitable in civil and industrial water systems, for cesspool drainage with dirty and muddy liquids and for waters not cleaned by grid.

OPERATING CONDITIONS

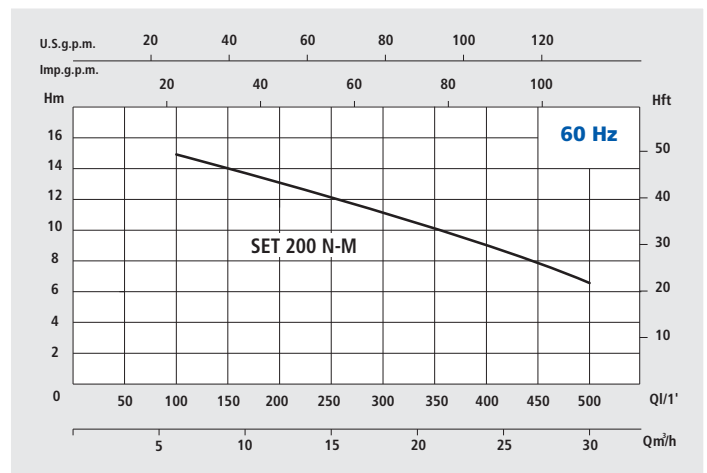
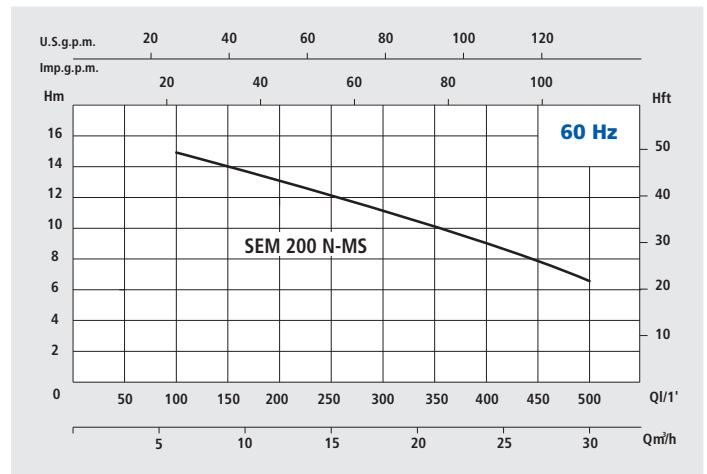
- Liquid temperature 0÷35°C (according to EN 60335-2-41) up to 50°C (for other uses)
- Submersion depth 20 mt.
- Grain size inlet Ø 40 mm
- Min. suction level 70 mm
- Continuous duty

MOTOR

- Insulation Class F
- Protection IP 68
- Thermic protection

MATERIALS

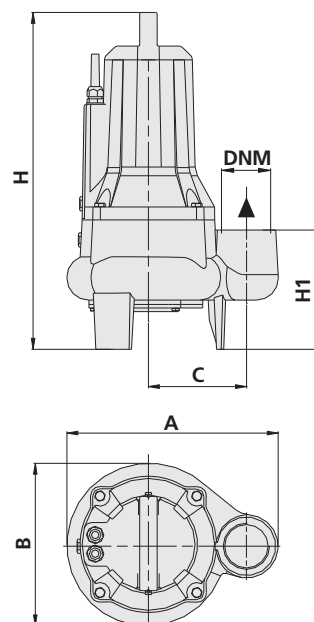
- Motor body Cast Iron
- Pump body Cast Iron
- Impeller Cast Iron
- Shaft with rotor Stainless Steel
- Double mechanical seal Silicon/Silicon + Ceramic/Graphite



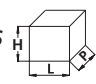
TECHNICAL DATA

TYPE		NOMINAL POWER P2		INPUT POWER P1	AMPERE		Q = CAPACITY										
Single-phase	Three-phase	HP	kW	kW	Single-phase	Three-phase	m³/h	6	12	18	24	30	36	42	48	54	66
					1 x 220V 60Hz	3 x 380V 60Hz	lt/1'	100	200	300	400	500	600	700	800	900	1100
SEM 200 N-MS	SET 200 N-M	2	1,5	1,9	8,5	3,5	Total head in meters w.c.										
							H (m)	15	13	11	9	7					

INCLUDED IN THE SINGLE-PHASE MODELS



DIMENSIONS AND WEIGHTS

TYPE		DIMENSIONS mm							DIMENSIONS mm 			Weight
Single-phase	Three-phase	A	B	C	H	H1	DNM	Grain size inlet (mm)	P	L	H	Kg
SEM 200 N-MS	SET 200 N-M	292	225	135	495	165	2"	Ø 40	240	310	510	34

APPLICATION

Submersible drainage pumps with closed single-blade impeller, which allows free passage of suspended parts and high performance. Suitable in civil and industrial water systems, for cesspool drainage with dirty and muddy liquids and for waters not cleaned by grid.

OPERATING CONDITIONS

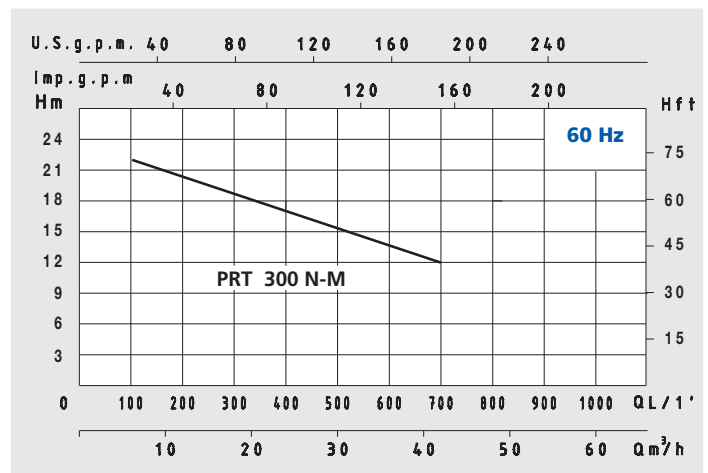
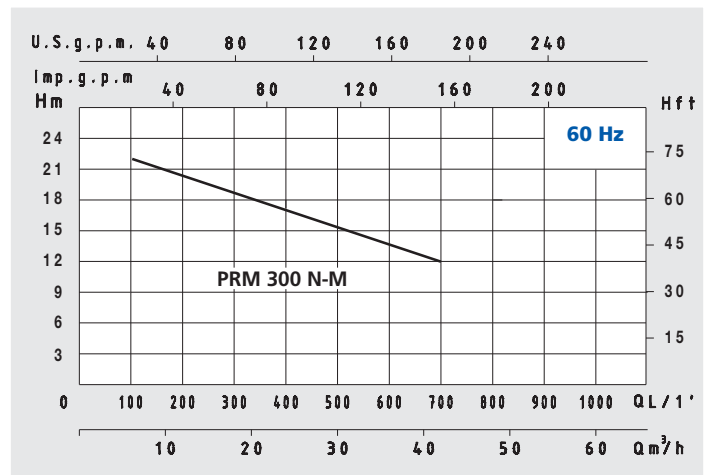
- Liquid temperature
0÷35°C (according to EN 60335-2-41) up to 50°C (for other uses)
- Submersion depth 20 mt.
- Grain size inlet Ø 50 mm
- Min. suction level 75 mm
- Continuous duty

MOTOR

- Insulation Class F
- Protection IP 68
- Thermic protection

MATERIALS

- Motor body Cast Iron
- Pump body Cast Iron
- Impeller Cast Iron
- Shaft with rotor Stainless Steel
- Double mechanical seal Silicon/Silicon + Ceramic/Graphite

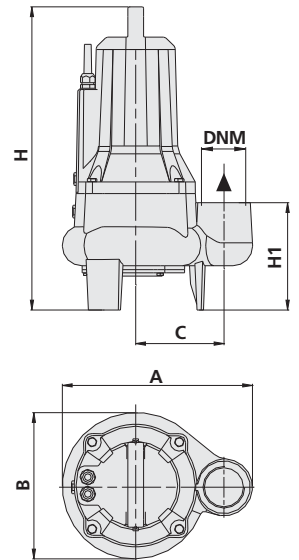


TECHNICAL DATA

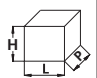
TYPE		NOMINAL POWER P2		INPUT POWER P1	AMPERE		Q = CAPACITY										
Single-phase	Three-phase	HP	kW	kW	Single-phase	Three-phase	m³/h	6	12	18	24	27	30	36	39	42	48
220V-60Hz	220/380V-60Hz				1 x 220V 60Hz	3 x 380V 60Hz	lt/1'	100	200	300	400	450	500	600	650	700	800
PRM 300 N-M	PRT 300 N-M	3	2,2	3	14,5	5,5	Total head in meters w.c.										
					H (m)		22	20	18	16	15,5	15	14	13	12		



INCLUDED IN THE SINGLE-PHASE MODELS



DIMENSIONS AND WEIGHTS

TYPE		DIMENSIONS mm							DIMENSIONS mm 			Weight
Single-phase	Three-phase	A	B	C	H	H1	DNM	Grain size inlet (mm)	P	L	H	Kg
PRM 300 N-M	PRT 300 N-M	339	250	160	562	203	2" 1/2	Ø 50	270	350	560	44

APPLICATION

Submersible drainage pumps with closed single-blade impeller, which allows free passage of suspended parts and high performance. Suitable in civil and industrial water systems, for cesspool drainage with dirty and muddy liquids and for waters not cleaned by grid.

OPERATING CONDITIONS

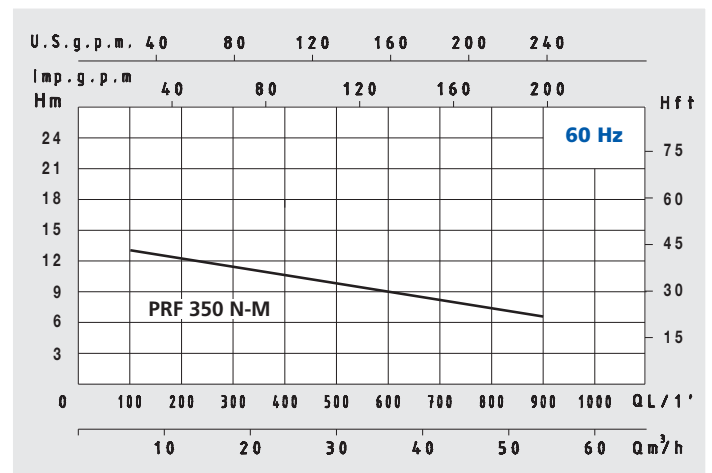
- Liquid temperature
0÷35°C (according to EN 60335-2-41) up to 50°C (for other uses)
- Submersion depth 20 mt.
- Grain size inlet Ø 70 mm
- Min. suction level 90 mm
- Continuous duty

MOTOR

- Insulation Class F
- Protection IP 68
- Thermic protection

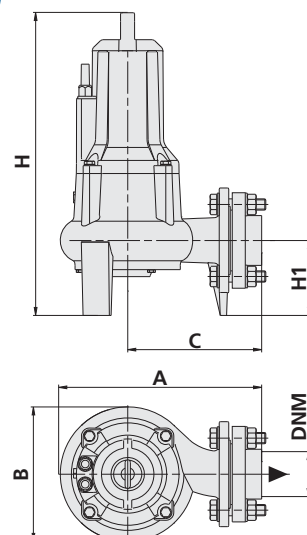
MATERIALS

- Motor body Cast Iron
- Pump body Cast Iron
- Impeller Cast Iron
- Shaft with rotor Stainless Steel
- Double mechanical seal Silicon/Silicon + Ceramic/Graphite

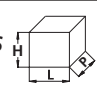


TECHNICAL DATA

TYPE	NOMINAL POWER		INPUT POWER	AMPERE	Q = CAPACITY										
	P2	P1			Three-phase										
Three-phase					m ³ /h	6	12	18	24	30	36	42	48	54	66
					lt/1'	100	200	300	400	500	600	700	800	900	1100
220/380V-60Hz	HP	kW	kW	3 x 380V-60Hz	Total head in meters w.c.										
PRF 350 N-M	3,5	2,5	3,5	6	H(m)	13	12	11	10	9,5	8,5	8	7,5	6,5	



DIMENSIONS AND WEIGHTS

TYPE	DIMENSIONS mm							DIMENSIONS mm 			Weight Kg
	A	B	C	H	H1	DNM	Grain size inlet (mm)	P	L	H	
Three-phase											
PRF 350 N-M	358	256	229	593	143	3"	Ø 70	275	380	610	45

APPLICATION

The Cutty series comprehend electric pump with plunged impeller, this impeller is multi-pipe, open, with a cutting system in the suction. It is particularly suitable in presence of long, filamentous or fibrous fibres, of destroyable solids also of big dimensions and in biologic liquids or in civil waters.

OPERATING CONDITIONS

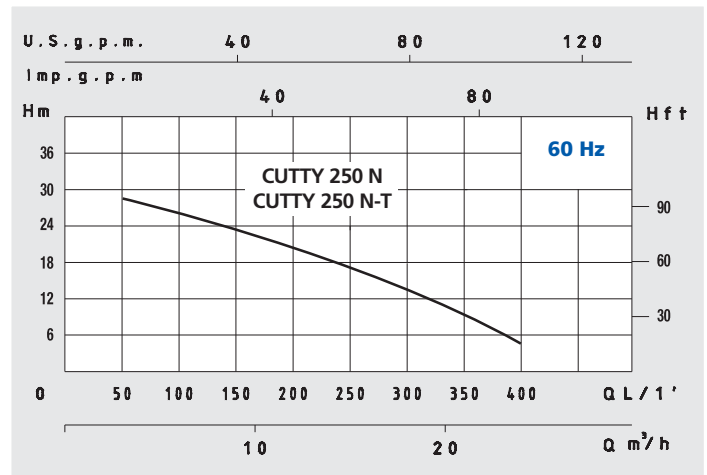
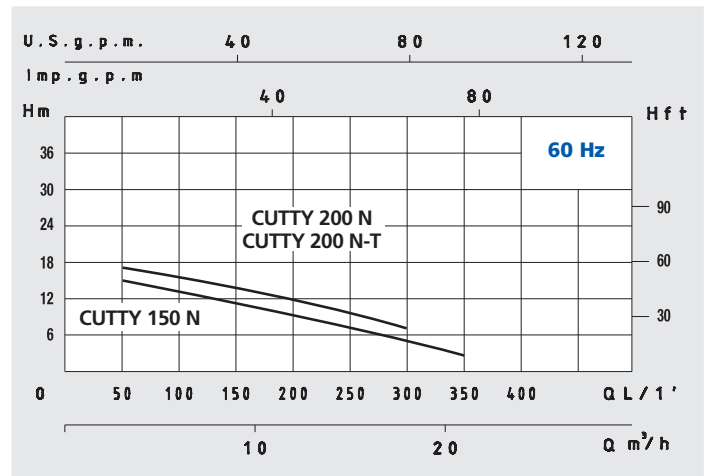
- Liquid temperature 0÷35°C (according to EN 60335-2-41) up to 50°C (for other uses)
- Submersion depth 20 mt.
- Min. suction level 80 mm
- Continuous duty

MOTOR

- Insulation Class F
- Protection IP 68
- Thermic protection

MATERIALS

- Motor body Cast Iron
- Pump body Cast Iron
- Impeller Cast Iron
- Shaft with rotor Stainless Steel
- Cutting Stainless Steel
- Double mechanical seal Silicon/Silicon + Ceramic/Graphite



TECHNICAL DATA

TYPE		NOMINAL POWER P2			INPUT POWER P1	AMPERE		Q = CAPACITY										
Single-phase	Three-phase	HP	kW	kW	Single-phase	Three-phase	m³/h	3	6	9	12	15	18	21	24	27	30	
220V-60Hz	220/380V-60Hz				1 x 220V 60Hz	3 x 380V 60Hz	lt/1'	50	100	150	200	250	300	350	400	450	500	
CUTTY 150 N		1,5	1,1	1,7	7,4		Total head in meters w.c.											
CUTTY 200 N	CUTTY 200 N-T	2	1,5	2	8,6	3,8	H (m)	15	14	12	10	8	6	3				
CUTTY 250 N	CUTTY 250 N-T	2,5	1,85	2,7	11,5	4,8		17	15	14	11	9	7	5				
								27	25	22	19	16	10	9	5			



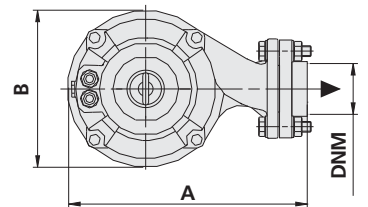
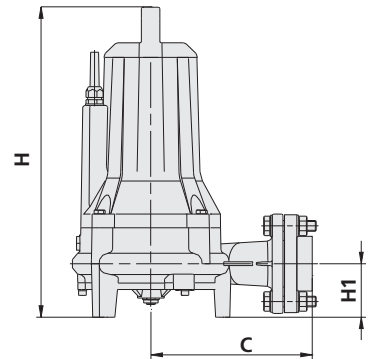
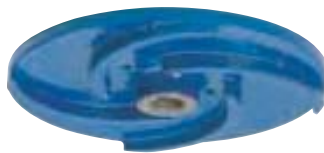
ACCESSORY



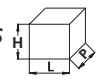
INCLUDED IN THE SINGLE-PHASE MODELS



CUTTING



DIMENSIONS AND WEIGHTS

TYPE		DIMENSIONS mm						DIMENSIONS mm 			Weight
Single-phase	Three-phase	A	B	C	H	H1	DNM	P	L	H	Kg
CUTTY 150 N		300	206	200	446	72	1" 1/2	220	320	450	33
CUTTY 200 N	CUTTY 200 N-T	300	206	200	446	72	1" 1/2	220	320	450	35
CUTTY 250 N	CUTTY 250 N-T	305	206	200	468	72	1" 1/2	220	320	450	45

APPLICATION

Vertical water pumps with external motor and water plunged pump body. Particularly suitable in tank or cesspools drainage in civil and industrial purposes.

To lift slightly dirty water or non aggressive liquids.

OPERATING CONDITIONS

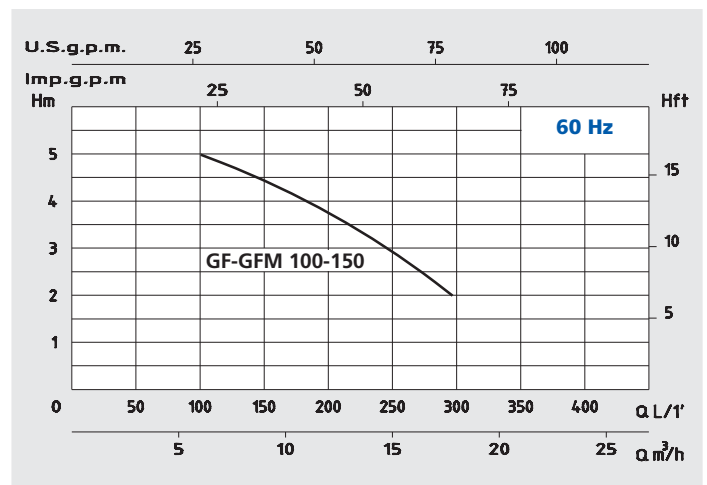
- Liquid temperature up to 90°C
- Suspended solid Ø25mm
- Continuous duty

MOTOR

- Four-Pole induction motor (n = 1750 min⁻¹)
- Insulation Class F
- Protection IP 44

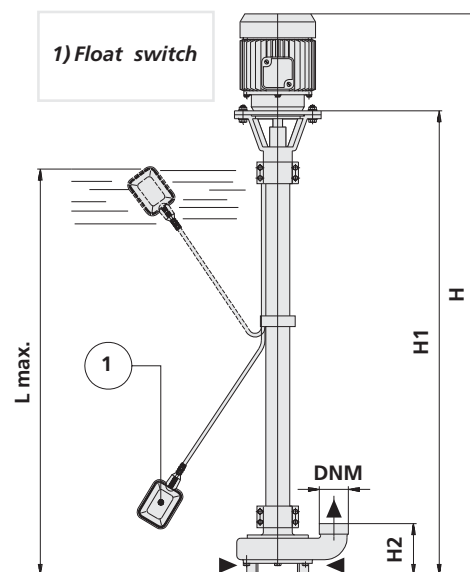
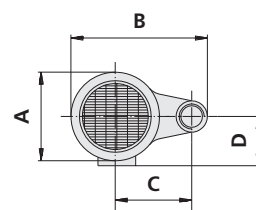
MATERIALS

- | | |
|--------------------|-----------------|
| - Pump body | Cast Iron |
| - Motor Support | Cast Iron |
| - Impeller | Cast Iron |
| - Bush | Stainless Steel |
| - Shaft with rotor | Stainless Steel |
| - Friction bearing | Brass |

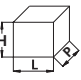


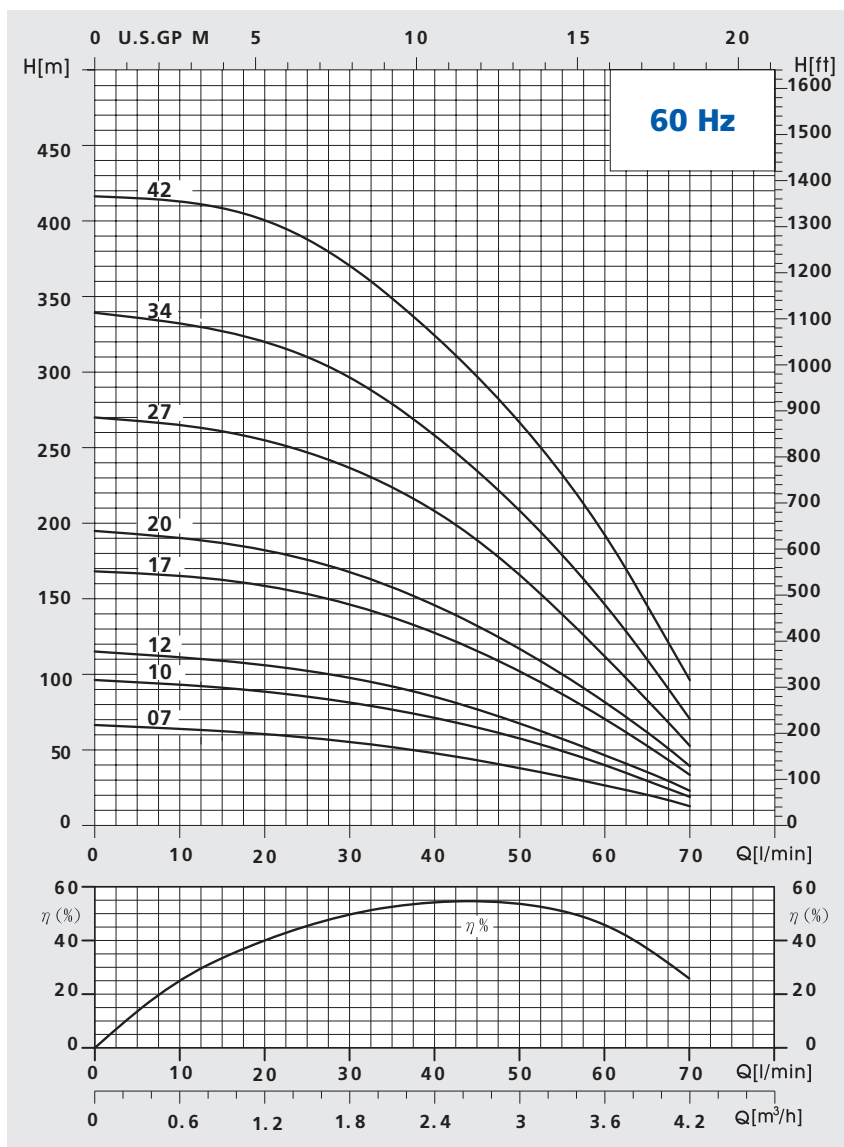
TECHNICAL DATA

TYPE		NOMINAL POWER P2		INPUT POWER P1	AMPERE		Q = CAPACITY										
Single-phase	Three-phase	HP	kW	kW	Single-phase	Three-phase	m ³ /h	6	7,5	9	10,5	12	13,5	15	18	21	24
					1 x 220V 60Hz	3 x 380V 60Hz	lt/1'	100	125	150	175	200	225	250	300	350	400
220V-60Hz	220/380V-60Hz						Total head in meters w.c.										
GFM 100	GF 100	1,5	1,1	1,80	8,2	3,5	H	5	4,7	4,4	4,1	3,8	3,3	2,9	1,8	0,5	
GFM 150	GF 150	1,5	1,1	1,80	8,2	3,5	(m)	5	4,7	4,4	4,1	3,8	3,3	2,9	1,8	0,5	



DIMENSIONS AND WEIGHTS

TYPE		DIMENSIONS mm									DIMENSIONS mm 			Weight
Single-phase	Three-phase	A	B	C	D	L max	H	H1	H2	DNM	P	L	H	Kg
GFM 100	GF 100	211	278	140	96	1000	1488	1235	125	2"	-	-	-	37
GFM 150	GF 150	211	278	140	96	1500	1888	1635	125	2"	-	-	-	44



SP 76
DNM 1"1/4

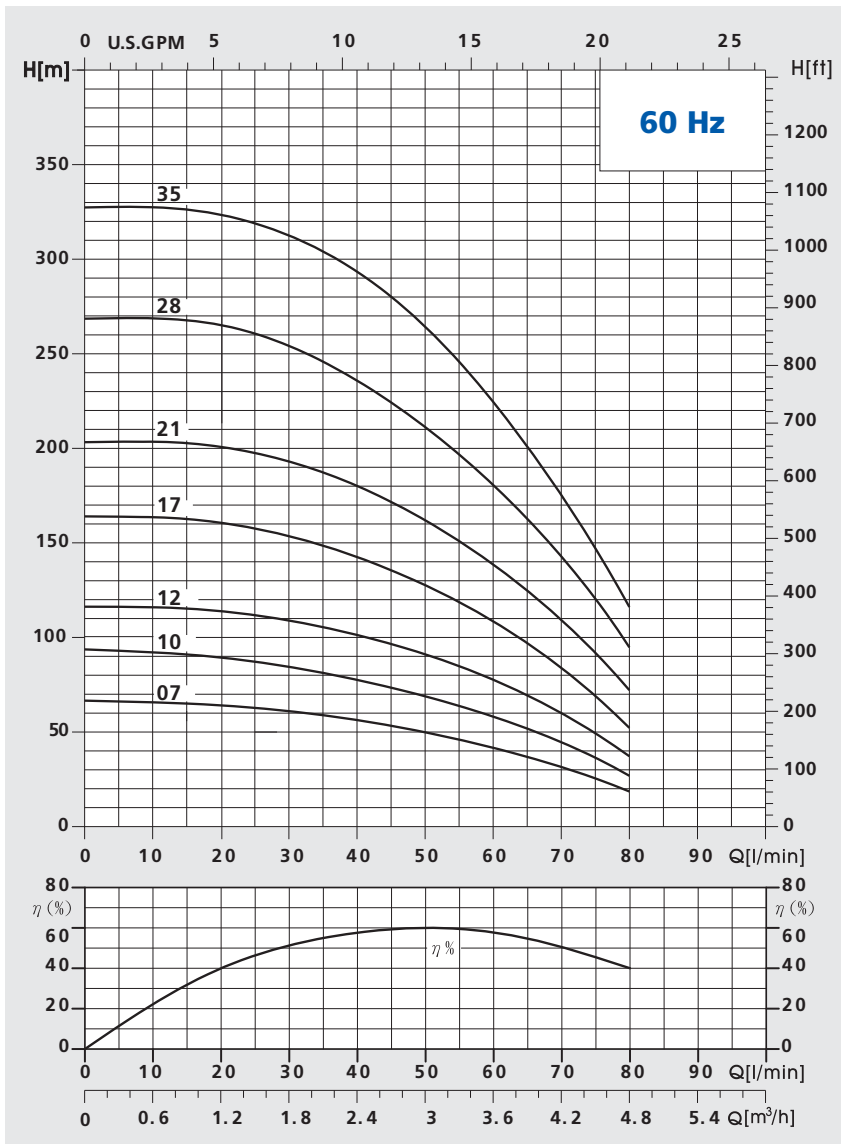


APPLICATION

Multistage submersible water pumps for 4" deep wells (DN 100 mm). Particularly suitable for civil and industrial purposes, for sprinkler and food irrigation plants, in fire installations and generally speaking for clean water supplying.

TECHNICAL DATA

PUMP TYPE	Stages	Motor		Q = DELIVERY														PUMP	
				l/min	10	15	20	25	30	35	40	50	60	70	80	90	100	Length	Weight
		KW	HP	m³/h	0.6	0.9	1.2	1.5	1.8	2.1	2.4	3.0	3.6	4.2	4.8	5.4	6.0	(mm)	(kg)
H = TOTAL HEAD IN METERS																			
SP 76-07	7	0.37	0.5	67			60	58	55	52	49	39	27	13				271	2.8
SP 76-10	10	0.55	0.75	96			89	85	81	77	71	58	40	19				324	3.3
SP 76-12	12	0.75	1.0	115			106	102	98	92	85	68	47	23				359	3.6
SP 76-17	17	1.10	1.5	168			159	152	147	138	128	102	70	35				447	4.4
SP 76-20	20	1.5	2.0	195			181	177	168	158	146	118	82	40				499	4.9
SP 76-27	27	2.2	3.0	270			255	247	237	223	209	167	111	53				660	6.0
SP 76-34	34	3.0	4.0	339			320	310	296	280	259	209	146	70				758	7.5
SP 76-42	42	3.7	5.0	416			400	389	370	350	323	267	190	99				916	8.8



SP 86
DNM 1"1/4

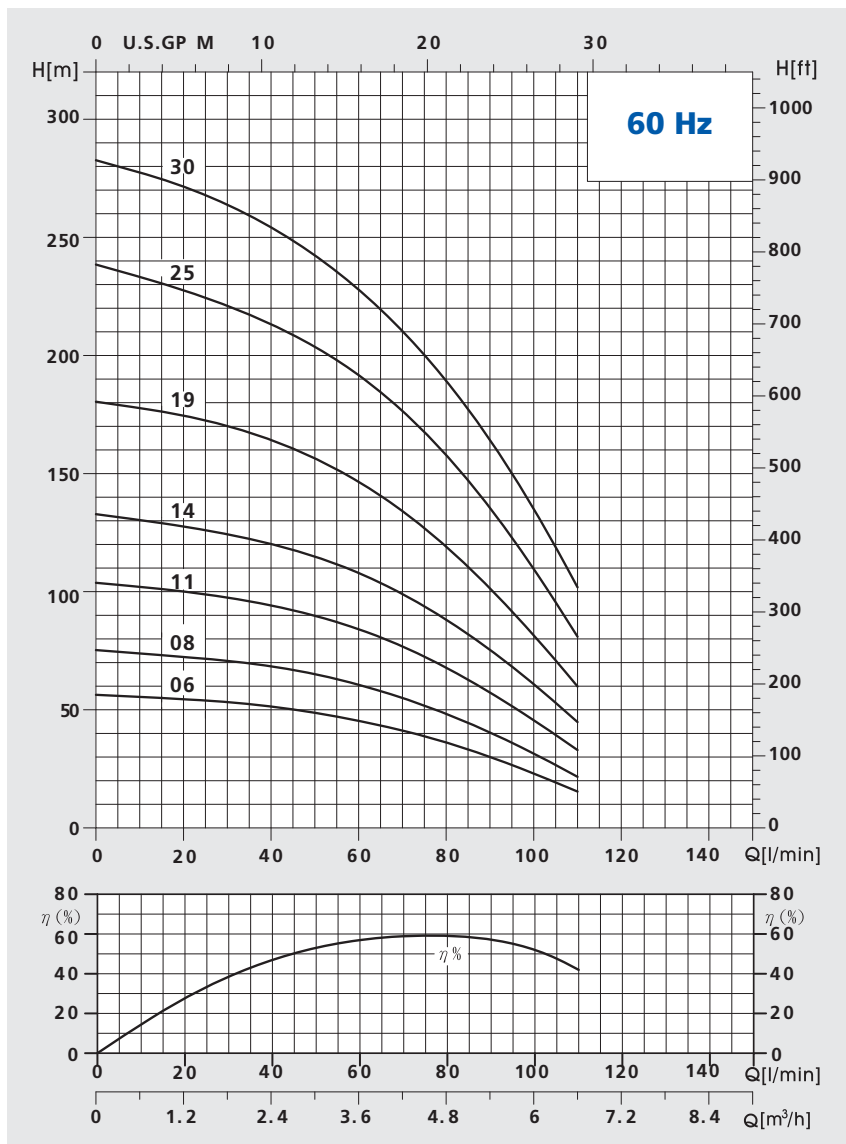


APPLICATION

Multistage submersible water pumps for 4" deep wells (DN 100 mm). Particularly suitable for civil and industrial purposes, for sprinkler and food irrigation plants, in fire installations and generally speaking for clean water supplying.

TECHNICAL DATA

PUMP TYPE	Stages	Motor		Q= DELIVERY																PUMP	
				l/min	0	10	15	20	25	30	35	40	50	60	70	80	90	100	Length	Weight	
		KW	HP	m³/h	0	0.6	0.9	1.2	1.5	1.8	2.1	2.4	3.0	3.6	4.2	4.8	5.4	6.0	(mm)	(kg)	
SP 86-07	7	0.55	0.75	67						61	59	57	50	41	31	19			271	2.8	
SP 86-10	10	0.75	1.0	94						85	81	78	69	58	45	28			324	3.2	
SP 86-12	12	1.10	1.5	116						109	106	102	91	78	60	38			359	3.5	
SP 86-17	17	1.5	2.0	165						154	148	143	128	109	83	53			447	4.3	
SP 86-21	21	2.2	3.0	204						193	187	180	162	139	110	72			519	5.0	
SP 86-28	28	3.0	4.0	269						254	246	236	211	180	142	96			679	6.0	
SP 86-35	35	3.7	5.0	327						312	304	292	264	223	175	117			803	7.6	



SP 126
DNM 1"1/4

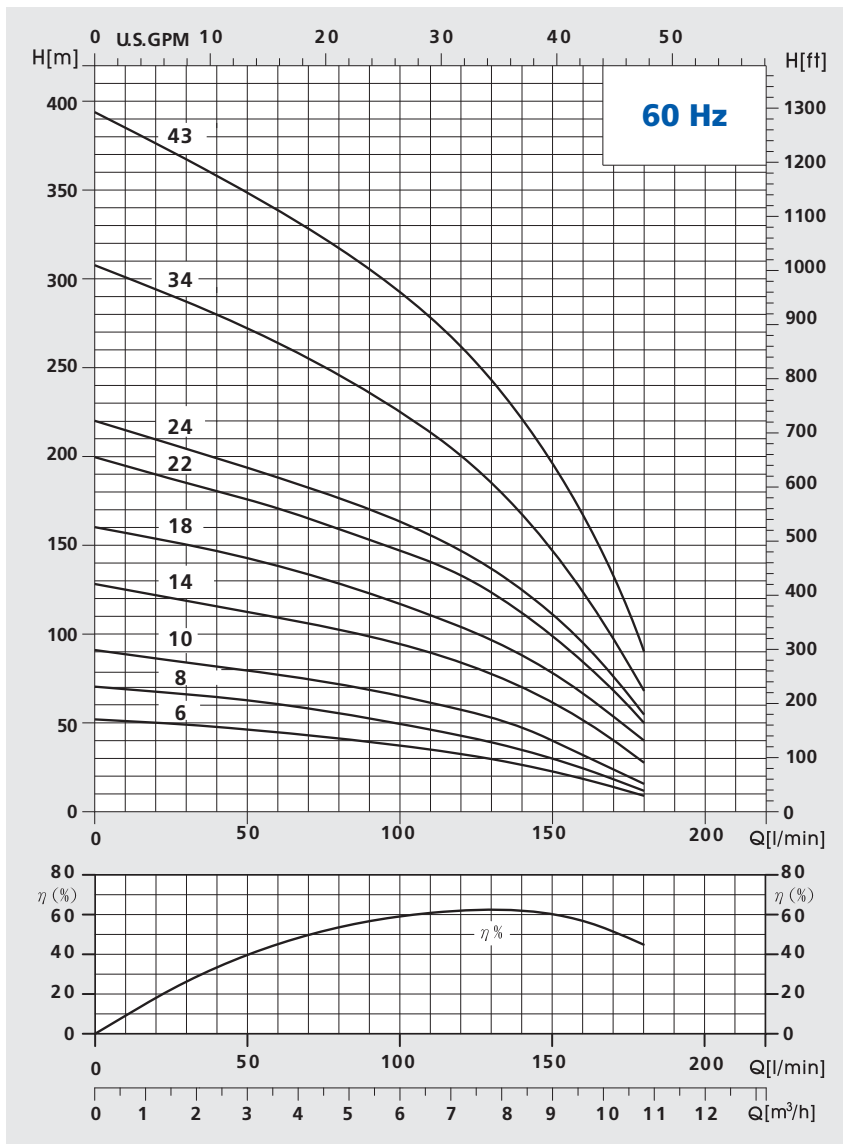


APPLICATION

Multistage submersible water pumps for 4" deep wells (DN 100 mm). Particularly suitable for civil and industrial purposes, for sprinkler and food irrigation plants, in fire installations and generally speaking for clean water supplying.

TECHNICAL DATA

PUMP TYPE	Stages	Motor		Q = DELIVERY																PUMP	
				l/min	25	30	35	40	50	60	70	80	90	100	120	140	160	180	Length	Weight	
		0	1.5	1.8	2.1	2.4	3.0	3.6	4.2	4.8	5.4	6.0	7.2	8.4	9.6	10.8	(mm)	(kg)			
SP 126-06	6	0.55	0.75	56			53	52	49	45	41	37	30	23	16				279	2.8	
SP 126-08	8	0.75	1.0	75			70	68	65	61	55	49	41	32	22				322	3.1	
SP 126-11	11	1.10	1.5	104			96	94	90	84	77	68	58	46	33				387	3.6	
SP 126-14	14	1.5	2.0	133			123	120	115	108	99	88	75	61	45				452	4.1	
SP 126-19	19	2.2	3.0	181			167	165	156	146	134	119	102	81	60				560	4.9	
SP 126-25	25	3.0	4.0	238			217	213	204	192	176	158	136	110	81				725	5.9	
SP 126-30	30	3.7	5.0	283			260	254	242	228	210	189	164	135	102				827	7.1	



SP 186
DNM 2"

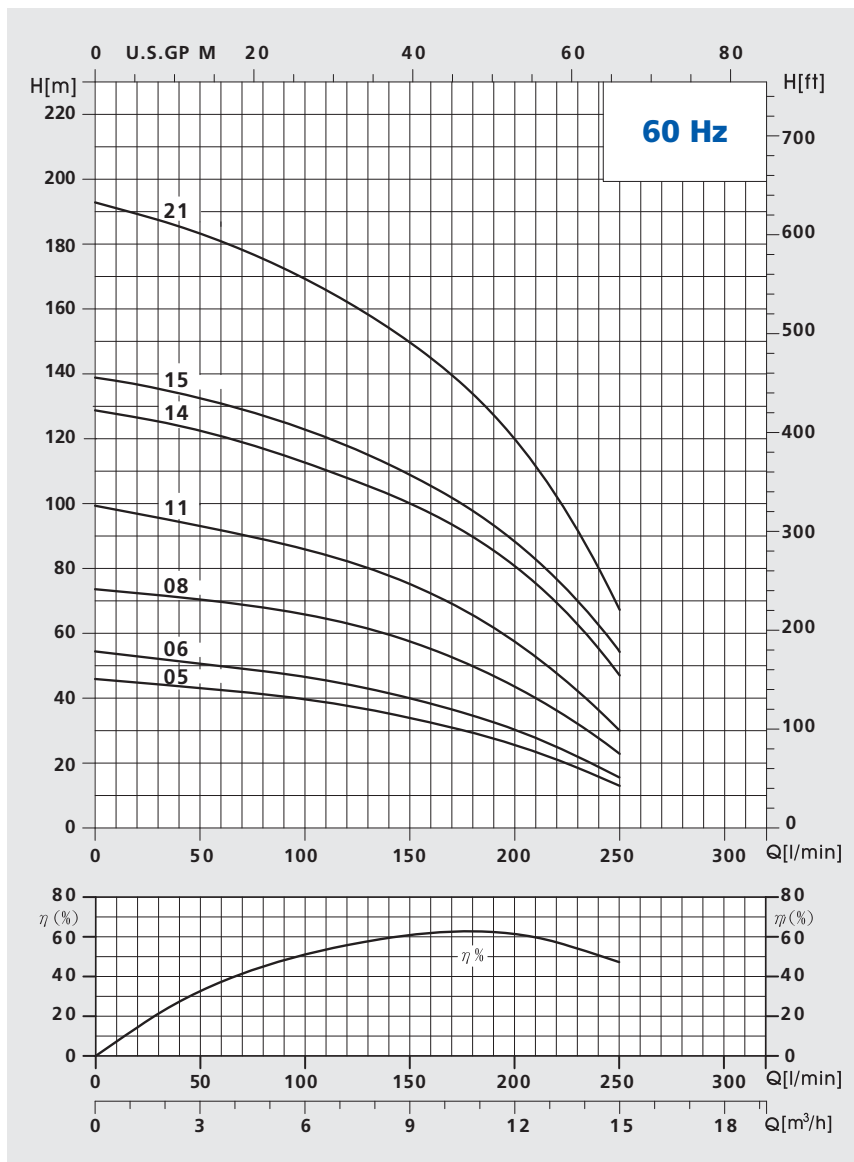


APPLICATION

Multistage submersible water pumps for 4" deep wells (DN 100 mm). Particularly suitable for civil and industrial purposes, for sprinkler and food irrigation plants, in fire installations and generally speaking for clean water supplying.

TECHNICAL DATA

PUMP TYPE	Stages	Motor		Q= DELIVERY																PUMP	
				l/min	0	35	40	50	60	70	80	90	100	120	140	160	180	200	250	Length	Weight
		KW	HP	m ³ /h	0	2.1	2.4	3.0	3.6	4.2	4.8	5.4	6.0	7.2	8.4	9.6	10.8	12	15	(mm)	(kg)
H= TOTAL HEAD IN METERS																					
SP 186-06	6	0.75	1.0	52					44	43	42	40	38	33	27	18	9			359	3.4
SP 186-08	8	1.10	1.5	70					60	58	55	52	50	43	35	24	12			421	4.0
SP 186-10	10	1.5	2.0	91					77	75	72	69	65	58	48	32	17			483	4.6
SP 186-14	14	2.2	3.0	128					109	106	102	99	94	83	70	51	29			607	5.7
SP 186-18	18	3.0	4.0	160					139	133	129	123	117	104	89	67	40			731	6.9
SP 186-22	22	3.7	5.0	200					170	165	159	152	147	132	111	84	50			893	8.1
SP 186-24	24	4.0	5.5	220					189	182	177	170	162	148	125	95	55			955	8.7
SP 186-34	34	5.5	7.5	308					263	255	246	236	225	200	167	122	69			1257	11.6
SP 186-43	43	7.5	10	394					339	328	317	305	292	261	220	167	90			1318	14.2



SP 256
DNM 2"

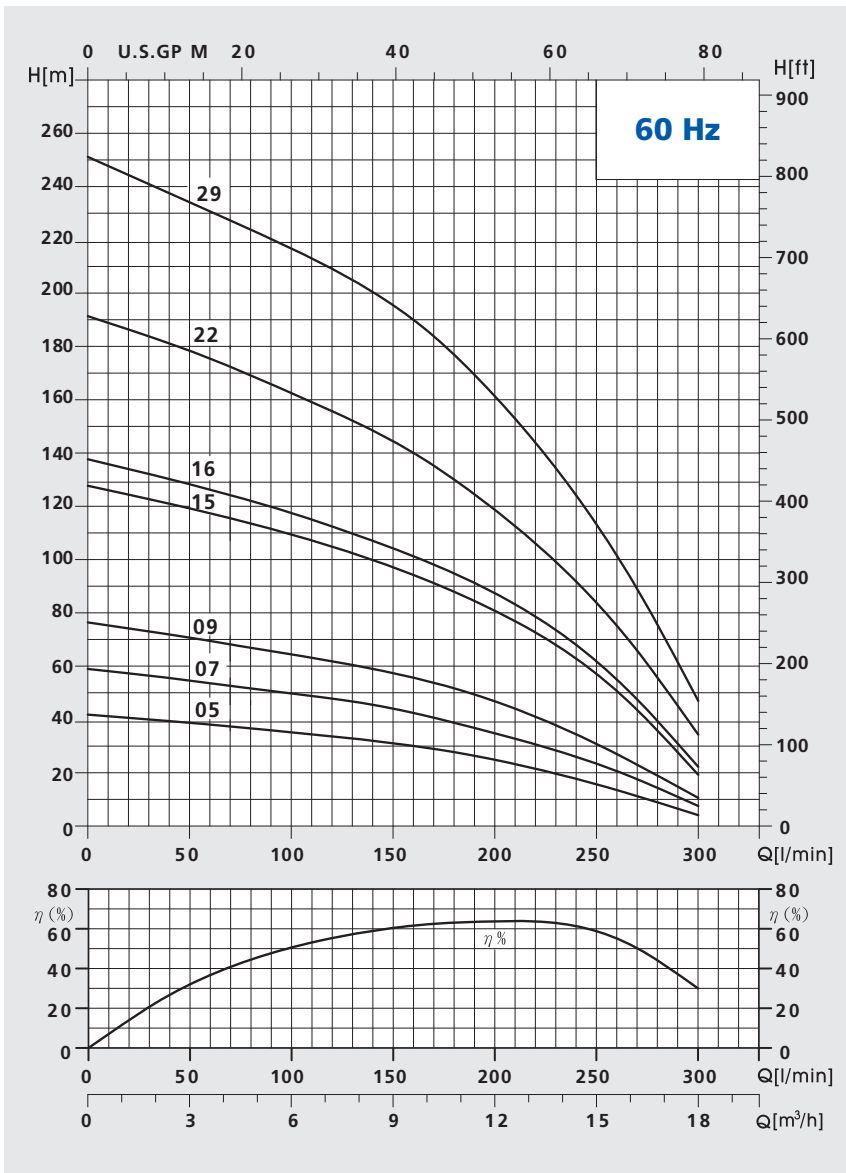


APPLICATION

Multistage submersible water pumps for 4" deep wells (DN 100 mm). Particularly suitable for civil and industrial purposes, for sprinkler and food irrigation plants, in fire installations and generally speaking for clean water supplying.

TECHNICAL DATA

PUMP TYPE	Stages	Motor		Q = DELIVERY																PUMP	
				KW	HP	l/min	50	60	70	80	90	100	120	140	160	180	200	250	280	300	Length (mm)
		m³/h	3.0			3.6	4.2	4.8	5.4	6.0	7.2	8.4	9.6	10.8	12	15	16.8	18			
H = TOTAL HEAD IN METERS																					
SP 256-05	5	1.10	1.5	46			42	41	40	39	37	35	33	29	25	14			325	3.1	
SP 256-06	6	1.5	2.0	55			49	48	47	47	45	42	38	35	30	17			356	3.4	
SP 256-08	8	2.2	3.0	74			69	68	67	66	63	60	56	50	43	24			418	4.0	
SP 256-11	11	3.0	4.0	100			91	88	87	86	83	78	73	66	58	30			511	4.9	
SP 256-14	14	3.7	5.0	129			118	116	115	113	108	103	97	90	81	48			604	5.7	
SP 256-15	15	4.0	5.5	139			128	126	125	123	118	113	105	97	88	55			638	6.0	
SP 256-21	21	5.5	7.5	194			178	175	173	169	162	154	145	134	120	68			859	7.8	



SP 306
DNM 2"

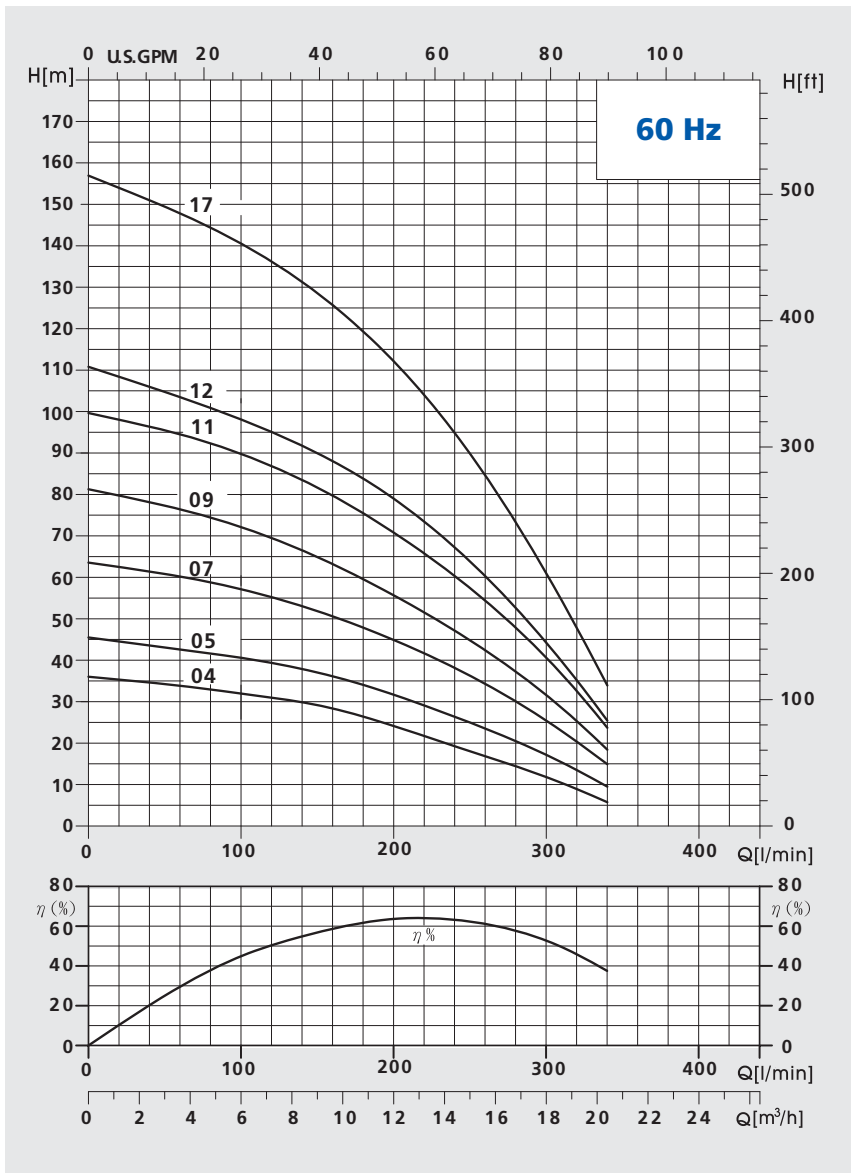


APPLICATION

Multistage submersible water pumps for 4" deep wells (DN 100 mm). Particularly suitable for civil and industrial purposes, for sprinkler and food irrigation plants, in fire installations and generally speaking for clean water supplying.

TECHNICAL DATA

PUMP TYPE	Stages	Motor		Q= DELIVERY																			PUMP	
				KW	HP	l/min	80	90	100	120	140	160	180	200	220	240	260	280	300	340	380	420	Length (mm)	Weight (kg)
		0	4.8			5.4	6.0	7.2	8.4	9.6	10.8	12	13.2	14.4	15.6	16.8	18	20.4	22.8	25.2				
		m³/h	0			4.8	5.4	6.0	7.2	8.4	9.6	10.8	12	13.2	14.4	15.6	16.8	18	20.4	22.8	25.2			
				H= TOTAL HEAD IN METERS																				
SP 306-05	5	1.10	1.5	42	38	37	36	34	32	30	28	25	22	18	14	9	5				433	4.3		
SP 306-07	7	1.5	2.0	59	52	51	50	48	46	43	40	36	31	26	21	15	8				537	5.3		
SP 306-09	9	2.0	3.0	76	67	66	64	62	59	56	52	47	42	35	28	19	11				641	6.2		
SP 306-15	15	3.7	5.0	128	113	112	109	105	100	94	88	80	72	63	51	37	20				953	9.0		
SP 306-16	16	4.0	5.5	137	122	120	117	112	107	101	95	88	79	68	55	40	23				1005	9.5		
SP 306-22	22	5.5	7.5	191	169	166	162	156	149	140	131	118	106	91	75	55	35				1345	12.3		
SP 306-29	29	7.5	10	251	225	221	218	209	200	190	177	161	144	125	101	75	48				1708	15.6		



SP 346
DNM 2"

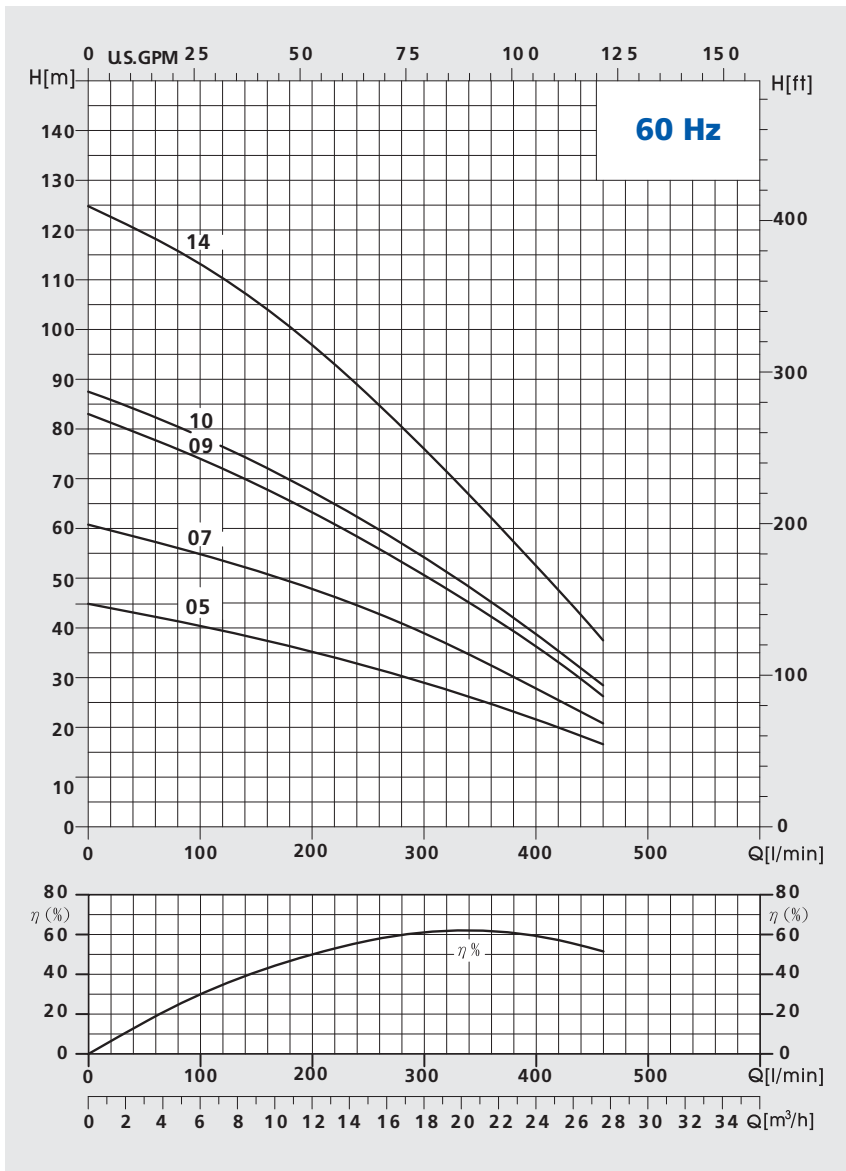


APPLICATION

Multistage submersible water pumps for 4" deep wells (DN 100 mm). Particularly suitable for civil and industrial purposes, for sprinkler and food irrigation plants, in fire installations and generally speaking for clean water supplying.

TECHNICAL DATA

PUMP TYPE	Stages	Motor		Q = DELIVERY																	PUMP		
				KW	HP	l/min	80	90	100	120	140	160	180	200	220	240	260	280	300	340	380	420	Length (mm)
		m³/h	0			4.8	5.4	6.0	7.2	8.4	9.6	10.8	12	13.2	14.4	15.6	16.8	18	20.4	22.8	25.2		
		H = TOTAL HEAD IN METERS																					
SP 346-04	4	1.10	1.5	36			32	31	30	28	26	24	22	19	17	14	12	6			378	3.9	
SP 346-05	5	1.5	2.0	46			41	39	37	36	34	32	29	26	23	20	17	9			430	4.4	
SP 346-07	7	2.0	3.0	64			57	55	53	51	48	45	42	38	34	30	25	15			534	5.3	
SP 346-09	9	3.0	4.0	82			72	69	67	64	60	56	52	47	42	37	32	18			638	6.3	
SP 346-11	11	3.7	5.0	100			90	87	83	80	75	71	67	60	54	48	41	24			742	7.2	
SP 346-12	12	4.0	5.5	110			98	95	92	88	84	78	73	67	60	55	44	26			797	7.7	
SP 346-17	17	5.5	7.5	157			140	136	131	126	119	112	104	95	85	73	61	35			1092	10.1	



SP 466
DNM 2"

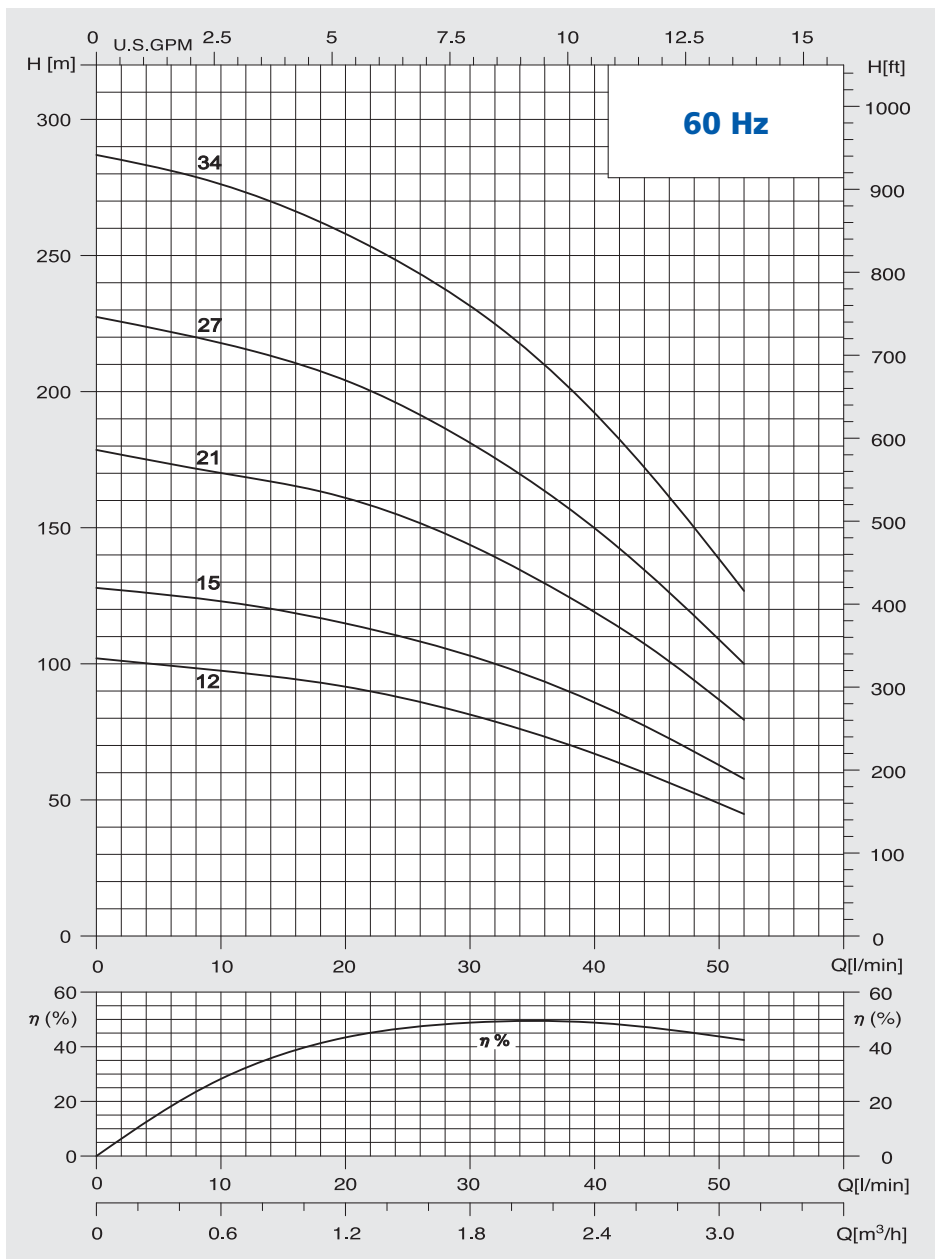


APPLICATION

Multistage submersible water pumps for 4" deep wells (DN 100 mm). Particularly suitable for civil and industrial purposes, for sprinkler and food irrigation plants, in fire installations and generally speaking for clean water supplying.

TECHNICAL DATA

PUMP TYPE	Stages	Motor		Q = DELIVERY																	PUMP	
				l/min	0	120	140	160	180	200	220	240	260	280	300	340	380	420	460	500	540	Length (mm)
		HP	m³/h																			
H = TOTAL HEAD IN METERS																						
SP 466-05	5	2.2	3.0	45			37	36	35	34	33	32	31	29	27	25	20	17			472	4.4
SP 466-07	7	3.0	4.0	61			51	49	47	46	44	42	41	39	35	33	26	21			608	5.6
SP 466-09	9	3.7	5.0	82			68	66	63	61	58	56	53	51	45	39	33	26			743	6.9
SP 466-10	10	4.0	5.5	88			72	70	67	65	64	60	57	54	48	42	36	28			814	7.5
SP 466-14	14	5.5	7.5	126			104	101	97	93	89	85	80	76	67	62	48	38			1081	9.9



SX 56
DNM 1"1/4



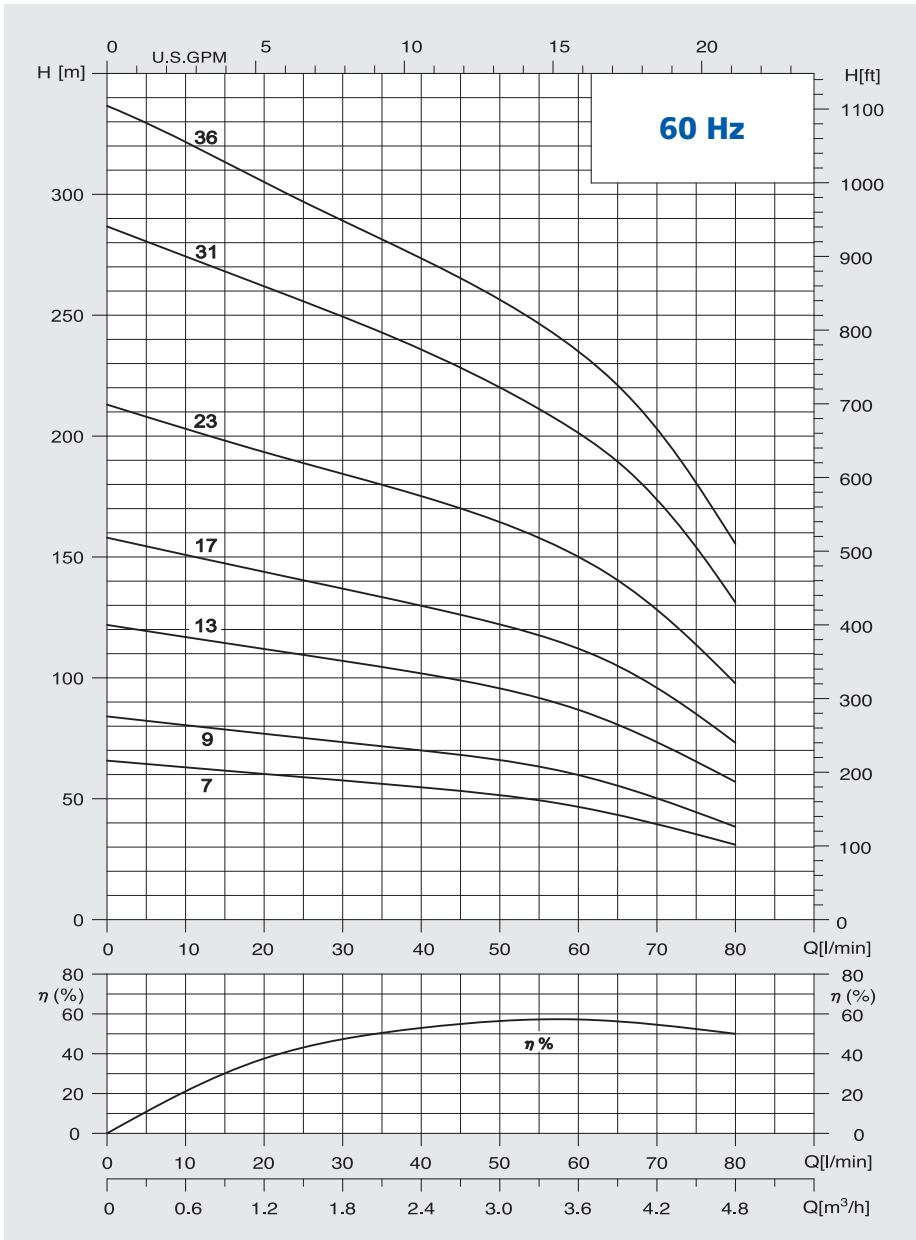
APPLICATION

Multistage submersible water pumps for 4" deep wells (DN 100 mm). Particularly suitable for civil and industrial purposes, for sprinkler and food irrigation plants, in fire installations and generally speaking for clean water supplying.

TECHNICAL DATA

Pump Type	STAGES	MOTOR		Q=DELIVERY																	PUMP						
				l/min	5	10	15	20	25	30	35	40	50	60	70	80	90	100	120	Length	Weight						
		0	0.3	0.6	0.9	1.2	1.5	1.8	2.1	2.4	3.0	3.6	4.2	4.8	5.4	6.0	7.2	(mm)	(kg)								
SX 56-12	12	0.55	0.75	103				94	89	83	76	69	49												419	3.6	
SX 56-15	15	0.75	1.0	128				115	108	102	95	85	61													482	4.2
SX 56-21	21	1.10	1.5	179				160	150	141	130	117	79													608	5.3
SX 56-27	27	1.5	2.0	229				201	192	180	166	148	101													734	6.4
SX 56-34	34	2.2	3.0	287				255	240	225	207	183	126													904	10.0

H = TOTAL HEAD IN METERS



SX 86
DNM 1" 1/4

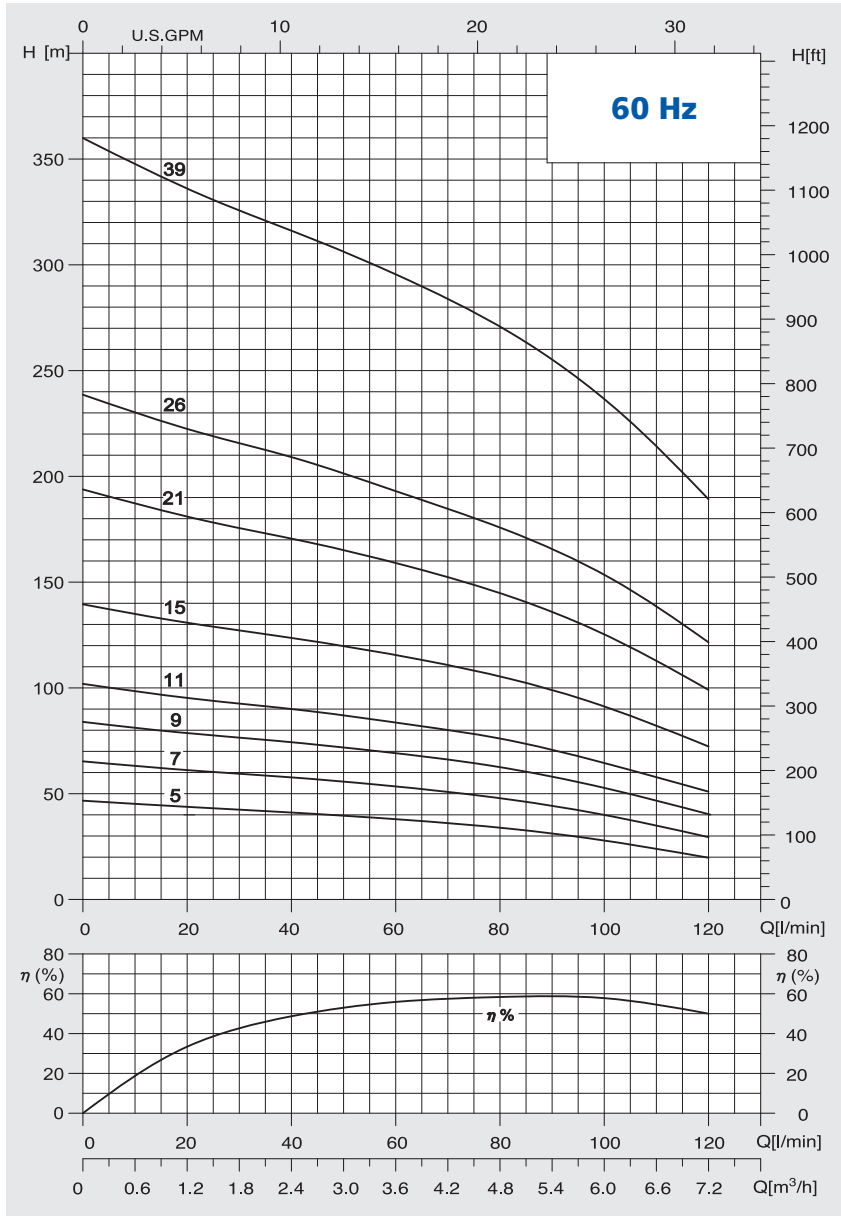


APPLICATION

Multistage submersible water pumps for 4" deep wells (DN 100 mm). Particularly suitable for civil and industrial purposes, for sprinkler and food irrigation plants, in fire installations and generally speaking for clean water supplying.

TECHNICAL DATA

Pump Type	STAGES	MOTOR		Q=DELIVERY																PUMP							
				l/min	0	15	20	25	30	35	40	50	60	70	80	90	100	120	140	160	Length	Weight					
		m³/h	0	0.9	1.2	1.5	1.8	2.1	2.4	3.0	3.6	4.2	4.8	5.4	6.0	7.2	8.4	9.6	(mm)	(kg)							
				H =TOTAL HEAD IN METERS																							
SX 86-07	7	0.55	0.75	66						54	53	51	46	38	31										314	2.6	
SX 86-09	9	0.75	1.0	85						71	70	65	58	48	39											356	3.0
SX 86-13	13	1.10	1.5	123						103	101	94	84	71	57											440	3.8
SX 86-17	17	1.5	2.0	160						133	129	120	108	91	70											524	4.5
SX 86-23	23	2.2	3.0	216						177	173	160	143	120	90											650	5.7
SX 86-31	31	3.0	4.0	290						239	232	214	193	161	122											841	9.2
SX 86-36	36	3.7	5.0	337						285	277	256	230	198	152											946	10.5



SX 126
DNM 1"1/2

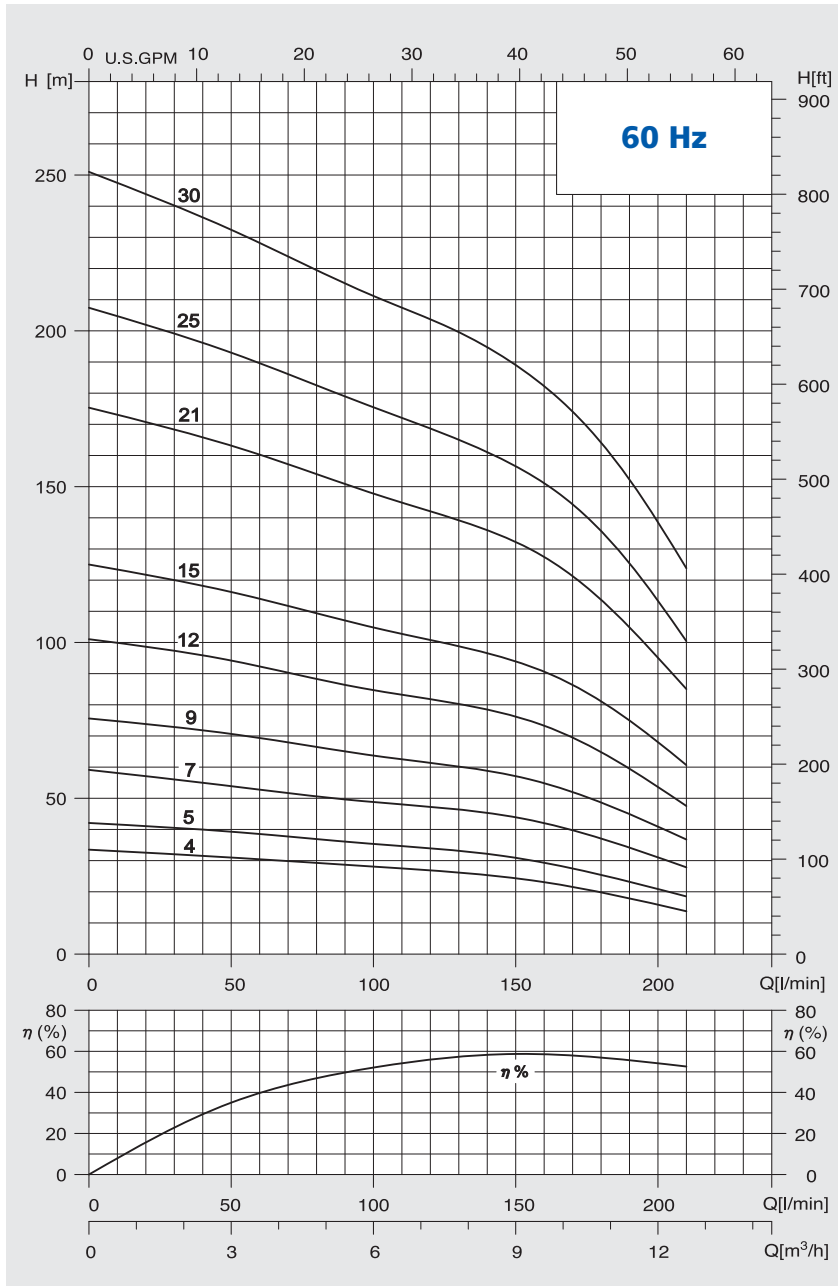


APPLICATION

Multistage submersible water pumps for 4" deep wells (DN 100 mm). Particularly suitable for civil and industrial purposes, for sprinkler and food irrigation plants, in fire installations and generally speaking for clean water supplying.

TECHNICAL DATA

Pump Type	STAGES	MOTOR		Q=DELIVERY																	PUMP																			
				l/min	25	30	35	40	50	60	70	80	90	100	120	140	160	180	200	250	Length	Weight																		
		m³/h	0	1.5	1.8	2.1	2.4	3.0	3.6	4.2	4.8	5.4	6.0	7.2	8.4	9.6	10.8	12	15	(mm)	(kg)																			
				H =TOTAL HEAD IN METERS																																				
SX 126-05	5	0.55	0.75	46							38	36	33	31	29	22																					272	2.2		
SX 126-07	7	0.75	1.0	64							52	49	46	42	38	30																						314	2.6	
SX 126-09	9	1.10	1.5	82							68	63	59	55	50	40																							356	3.0
SX 126-11	11	1.5	2.0	100							83	79	73	69	64	51																							398	3.4
SX 126-15	15	2.2	3.0	136							110	105	98	92	85	70																							482	4.1
SX 126-21	21	3.0	4.0	190							153	146	137	128	118	97																							608	5.3
SX 126-26	26	3.7	5.0	236							192	183	172	162	150	121																							713	6.2
SX 126-39	39	5.5	7.5	348							290	278	262	246	226	182																							994	11.1



SX 206
DNM 2"

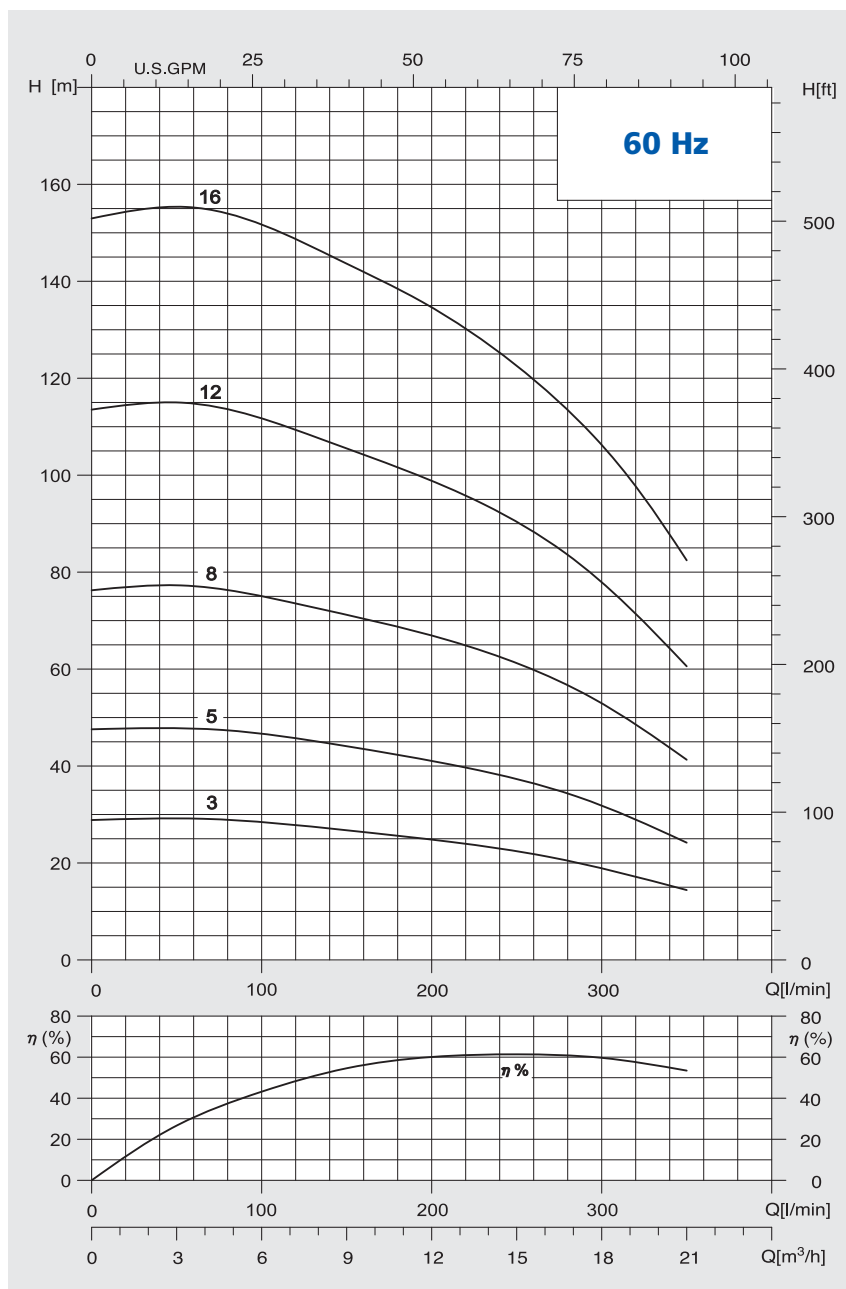


APPLICATION

Multistage submersible water pumps for 4" deep wells (DN 100 mm). Particularly suitable for civil and industrial purposes, for sprinkler and food irrigation plants, in fire installations and generally speaking for clean water supplying.

TECHNICAL DATA

Pump Type	STAGES	MOTOR		Q=DELIVERY																	PUMP	
				l/min	35	40	50	60	70	80	90	100	120	140	160	180	200	250	300	350	Length	Weight
		m³/h	2.1	2.4	3.0	3.6	4.2	4.8	5.4	6.0	7.2	8.4	9.6	10.8	12	15	18	21	(mm)	(kg)		
				H = TOTAL HEAD IN METERS																		
SX 206-04	4	0.75	1.0	34						31	30	29	28	27	25	22	18				370	3.8
SX 206-05	5	1.10	1.5	43						39	38	37	36	34	31	27	22				412	4.3
SX 206-07	7	1.5	2.0	60						52	51	50	47	44	42	39	32				496	5.3
SX 206-09	9	2.2	3.0	77						64	62	61	59	57	53	49	42				580	6.3
SX 206-12	12	3.0	4.0	102						90	89	87	84	80	76	70	61				706	7.8
SX 206-15	15	3.7	5.0	129						112	110	107	103	99	94	88	77				832	9.3
SX 206-21	21	5.5	7.5	179						157	153	150	144	138	132	121	108				1084	12.3
SX 206-25	25	5.5	7.5	213						183	180	177	170	163	156	142	124				1252	14.3
SX 206-30	30	7.5	10	255						220	217	213	205	197	187	171	150				1459	16.8



SX 356
DNM 2"

APPLICATION

Multistage submersible water pumps for 4" deep wells (DN 100 mm). Particularly suitable for civil and industrial purposes, for sprinkler and food irrigation plants, in fire installations and generally speaking for clean water supplying.

TECHNICAL DATA

Pump Type	STAGES	MOTOR		Q=DELIVERY																	PUMP																
				l/min	70	80	90	100	120	140	160	180	200	250	300	350	380	420	460	500	Length	Weight															
		m³/h	4.2	4.8	5.4	6.0	7.2	8.4	9.6	10.8	12	15	18	21	23	25	28	30	(mm)	(kg)																	
				H =TOTAL HEAD IN METERS																																	
SX 356-03	3	1.5	2.0	29							26	26	25	24	22	19	13																			375	3.7
SX 356-05	5	2.2	3.0	48							41	41	40	39	37	31	21																			505	5.0
SX 356-08	8	3.7	5.0	77							65	64	63	62	57	50	34																			700	7.0
SX 356-12	12	5.5	7.5	115							100	98	96	93	84	72	52																			960	9.5
SX 356-16	16	7.5	10	154							131	129	126	123	112	95	69																			1220	12.1

APPLICATION

Rewindable 4" oil filled submersible motors are designed to operate dependably in 4" and larger boreholes.

FEATURES

- Removable waterproof cable connector for easy maintenance operations.
- Cable materials are CE approved (for potable water applications).
- Non-toxic oil - Premium quality, colorless white oil meeting the requirements of international and national authorities for pharmaceutical white oils. (USA FDA. US Pharmacopeia/National Formulary, European Pharmacopoeia approveq).
- Special stator design for high starting torque in single-phase models.
- Unique single-phase electrical design for PSC starting, and starting capacitor + PSC starting.
- Motor casing, shaft, upper cover and bottom end made of stainless steel.
- Zinc-plated cast iron upper bracket.
- Stators are designed for higher efficiency and the ability to operate within wider voltage fluctuations.
- Use of high quality European made components such as mechanical seal, cable connectors, copper winding wires and insulations.
- Ali motors 100% tested.

TECHNICAL DATA

Single-phase motors 60 Hz

TYPE Single-phase	NOMINAL POWER P2		VOLTAGE V	In A	Imax A	Istart A	EFFICIENCY	RPM	CAPACITOR µf
	HP	kW							
MSSM 0,75	0,75	0,55	220	5,6	6,6	19	0,65	3440	20
MSSM 1	1	0,75	220	6,3	7,6	25	0,68	3430	25
MSSM 1,5	1,5	1,1	220	8,7	10,3	34	0,69	3440	35
MSSM 2	2	1,5	220	10,6	12,2	41	0,72	3420	40
MSSM 3	3	2,2	220	14,4	16,1	45	0,70	3420	55
MSSM 5	5	3,7	220	24,2	27,2	64	0,71	3450	75



TECHNICAL DATA

Three-phase motors 60 Hz

TYPE Three-phase	NOMINAL POWER P2		VOLTAGE V	In A	Imax A	Istart A	EFFICIENCY	RPM
	HP	kW						
MSS 0,75	0,75	0,55	220	3,8	4,3	17	0,69	3400
MSS 1	1	0,75	220	4,5	5,2	24	0,72	3420
MSS 1,5	1,5	1,1	220	5,7	6,6	33	0,72	3430
MSS 2	2	1,5	220	7,6	8,5	40	0,74	3430
MSS 3	3	2,2	220	10,3	11,2	48	0,74	3440
MSS 5	5	3,7	220	16,9	18	109	0,75	3450
MSS 7,5	7,5	5,5	220	25,4	28,5	133	0,75	3450
MSS 0,75	0,75	0,55	380	2,2	2,5	11	0,69	3400
MSS 1	1	0,75	380	2,6	3	14	0,72	3420
MSS 1,5	1,5	1,1	380	3,3	3,8	19	0,72	3430
MSS 2	2	1,5	380	4,4	4,9	23	0,74	3430
MSS 3	3	2,2	380	6	6,5	28	0,74	3440
MSS 5	5	3,7	380	9,8	10,4	63	0,75	3450
MSS 7,5	7,5	5,5	380	14,7	16,5	78	0,75	3450



APPLICATION

Multistage submersible water pumps for 4" deep wells (DN 100 mm). Particularly suitable for civil and industrial purposes, for sprinkler and food irrigation plants, in fire installations and generally speaking for clean water supplying.

OPERATING CONDITIONS

- Liquid temperature up to 35°C
- Sand content max. 60 g/m³
- Start/hour 20 max.

MOTOR

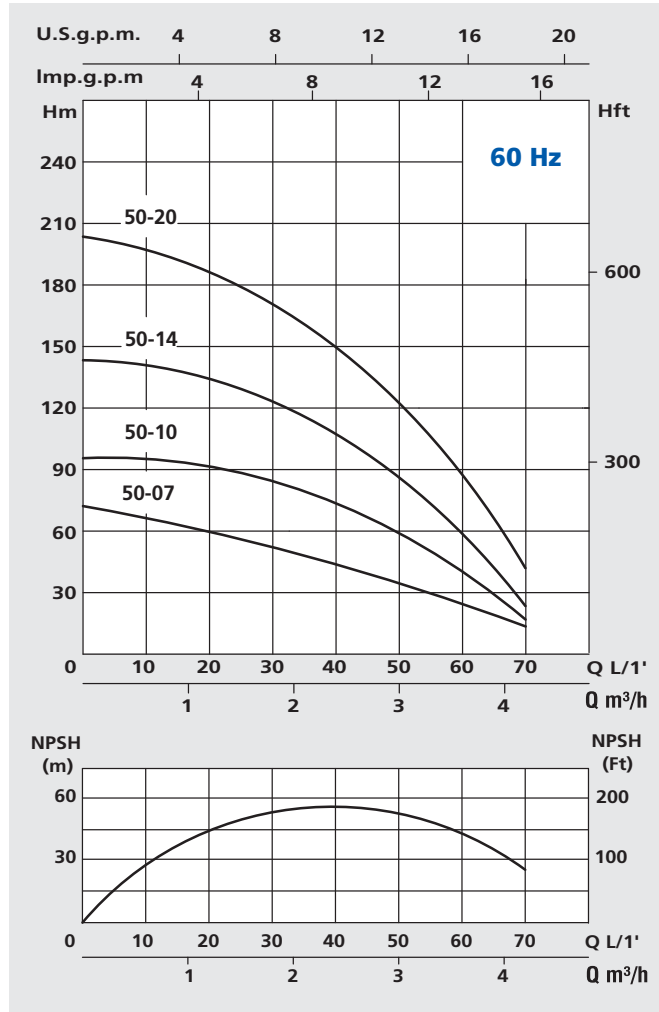
- Two-pole induction motor (n=3400 min⁻¹)
- Submersible motor in oil bath
- Class F Insulation
- IP 68 Protection
- Continuous duty

MOTOR MATERIALS

- External casing Stainless steel
- Motor shaft Stainless steel
- Bottom plate Tecno-polymer
- Support Brass

PUMP MATERIALS

- External casing Stainless steel
- Motor shaft Stainless steel
- Stages and impellers Polycarbonate



SP 50/60



TECHNICAL DATA

TYPE		NOMINAL POWER P2		Stages	Q = CAPACITY											DNM	
Single-phase	Three-phase	HP	kW		m ³ /h	0	0,9	1,2	1,5	1,8	2,1	2,4	2,7	3	3,6		4,2
220V-60Hz	220/380V-60Hz				lt/1'	0	15	20	25	30	35	40	45	50	60	70	
SPM 50-07/60	SP/TR 50-07/60	0,75	0,55	7	H (m)	67		60	58	55	52	49	44	39	27	13	1" ¼
SPM 50-10/60	SP/TR 50-10/60	1	0,75	10		96		89	85	81	77	71	64	58	40	19	1" ¼
SPM 50-14/60	SP/TR 50-14/60	1,5	1,1	14		142		133	127	123	115	107	96	85	59	29	1" ¼
SPM 50-20/60	SP/TR 50-20/60	2	1,5	20		195		181	177	168	158	146	132	118	82	40	1" ¼

APPLICATION

Multistage submersible water pumps for 4" deep wells (DN 100 mm)
 Particularly suitable for civil and industrial purposes, for sprinkler and food irrigation plants, in fire installations and generally speaking for clean water supplying.

OPERATING CONDITIONS

- Liquid temperature up to 35°C
- Sand content max. 60 g/m³
- Start/hour 20 max.

MOTOR

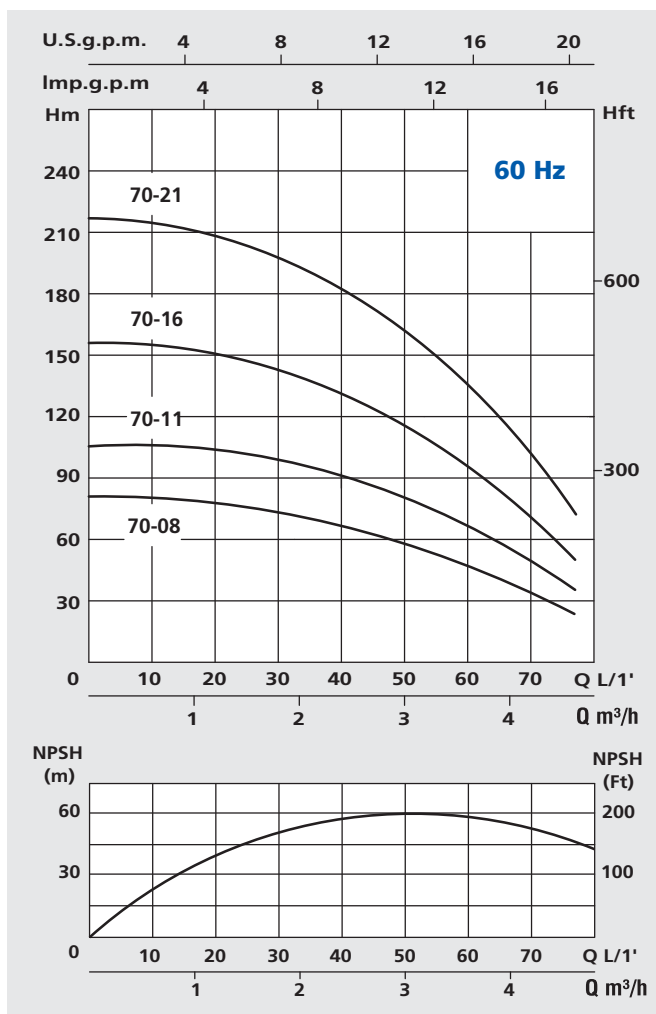
- Two-pole induction motor (n=3400min⁻¹)
- Submersible motor in oil bath
- Class F Insulation
- IP 68 Protection
- Continuous duty

MOTOR MATERIALS

- External casing Stainless steel
- Motor shaft Stainless steel
- Bottom plate Tecno-polymer
- Support Brass

PUMP MATERIALS

- External casing Stainless steel
- Motor shaft Stainless steel
- Stages and impellers Polycarbonate



SP 70/60



TECHNICAL DATA

TYPE		NOMINAL POWER P2		Stages	Q = CAPACITY													DNM
Single-phase	Three-phase	HP	kW		m ³ /h	0	0,9	1,2	1,5	1,8	2,1	2,4	3	3,6	4,2	4,8		
220V-60Hz	220/380V-60Hz				lt/1'	0	15	20	25	30	35	40	50	60	70	80		
SPM 70-08/60	SP/TR 70-08/60	1	0,75	7	H (m)	82				75	72	69	60	52	40	25	1" 1/4	
SPM 70-11/60	SP/TR 70-11/60	1,5	1,1	11		105				97	94	90	80	68	53	33	1" 1/4	
SPM 70-16/60	SP/TR 70-16/60	2	1,5	16		155				145	140	136	121	103	79	50	1" 1/4	
SPM 70-21/60	SP/TR 70-21/60	3	2,2	21		204				193	187	180	162	139	110	72	1" 1/4	

APPLICATION

Multistage submersible water pumps for 4" deep wells (DN 100 mm). Particularly suitable for civil and industrial purposes, for sprinkler and food irrigation plants, in fire installations and generally speaking for clean water supplying.

OPERATING CONDITIONS

- Liquid temperature up to 35°C
- Sand content max. 60 g/m³
- Start/hour 20 max.

MOTOR

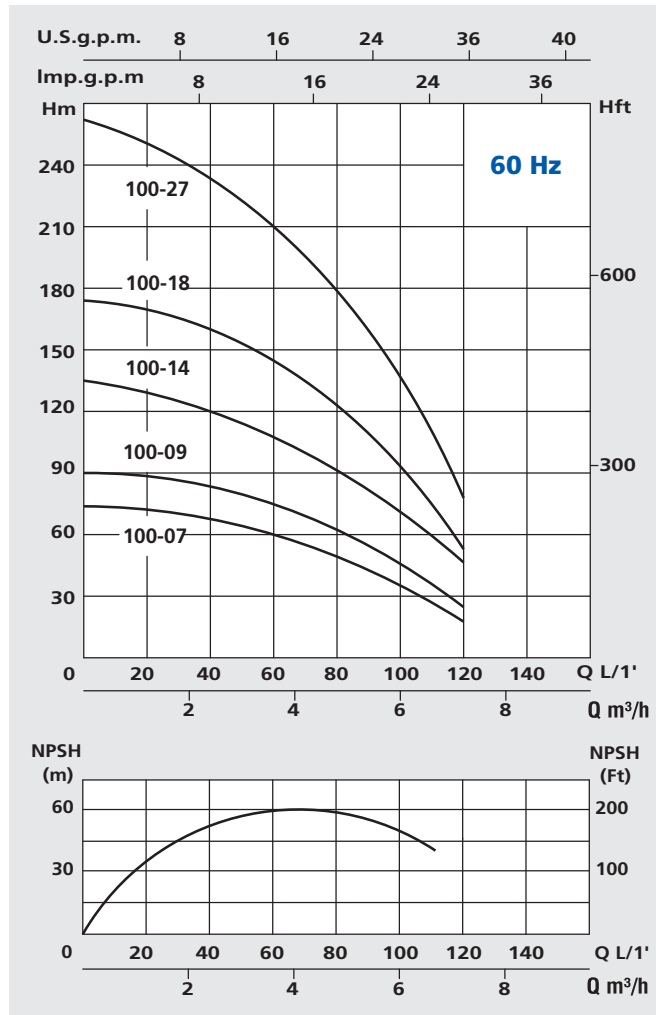
- Two-pole induction motor (n=3400 min⁻¹)
- Submersible motor in oil bath
- Class F Insulation
- IP 68 Protection
- Continuous duty

MOTOR MATERIALS

- External casing Stainless steel
- Motor shaft Stainless steel
- Bottom plate Tecno-polymer
- Support Brass

PUMP MATERIALS

- External casing Stainless steel
- Motor shaft Stainless steel
- Stages and impellers Polycarbonate



SP 100/60



TECHNICAL DATA

TYPE		NOMINAL POWER P2		Stages	Q = CAPACITY											DNM	
Single-phase	Three-phase	HP	kW		m ³ /h	0	1,2	2,1	2,4	3	3,6	4,2	4,8	5,4	6		7,2
220V-60Hz	220/380V-60Hz																
SPM 100-07/60	SP/TR 100-07/60	1	0,75	7	H (m)	66		62	60	57	53	48	43	36	28	19	1" ¼
SPM 100-09/60	SP/TR 100-09/60	1,5	1,1	9		88		81	79	76	71	65	57	48	38	26	1" ¼
SPM 100-14/60	SP/TR 100-14/60	2	1,5	14		133		123	120	115	108	99	88	75	61	45	1" ¼
SPM 100-18/60	SP/TR 100-18/60	3	2,2	18		171		159	155	148	139	127	114	98	77	57	1" ¼
SPM 100-27/60	SP/TR 100-27/60	5	3,7	27		260		239	234	223	210	193	174	150	123	92	1" ¼

APPLICATION

Multistage submersible water pumps for 4" deep wells (DN 100 mm)
 Particularly suitable for civil and industrial purposes, for sprinkler and food irrigation plants, in fire installations and generally speaking for clean water supplying.

OPERATING CONDITIONS

- Liquid temperature up to 35°C
- Sand content max. 60 g/m³
- Start/hour 20 max.

MOTOR

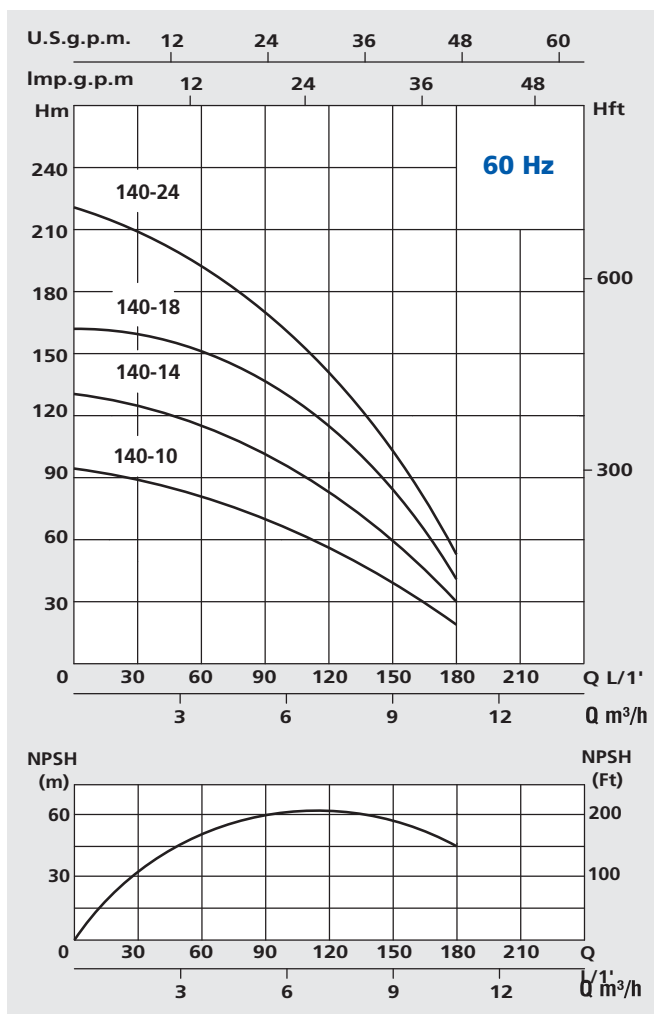
- Two-pole induction motor (n=3400 min⁻¹)
- Submersible motor in oil bath
- Class F Insulation
- IP 68 Protection
- Continuous duty

MOTOR MATERIALS

- External casing Stainless steel
- Motor shaft Stainless steel
- Bottom plate Tecno-polymer
- Support Brass

PUMP MATERIALS

- External casing Stainless steel
- Motor shaft Stainless steel
- Stages and impellers Polycarbonate



SP 140/60

TECHNICAL DATA

TYPE		NOMINAL POWER P2		Stages	Q = CAPACITY											DNM	
Single-phase	Three-phase	HP	kW		m³/h	0	1,8	3,6	4,2	4,8	5,4	6	7,2	8,4	9,6		10,8
220V-60Hz	220/380V-60Hz					lt/1'	0	30	60	70	80	90	100	120	140	160	180
SPM 140-10/60	SP/TR 140-10/60	2	1,5	10	H (m)	91		77	75	72	69	65	58	48	32	17	2"
SPM 140-14/60	SP/TR 140-14/60	3	2,2	14		128		109	106	102	99	94	83	70	51	29	2"
	SP/TR 140-18/60	4	3	18		160		139	133	129	123	117	104	89	67	40	2"
SPM 140-24/60	SP/TR 140-24/60	5	3,7	24		220		189	182	177	170	162	148	125	95	55	2"

APPLICATION

Multistage submersible water pumps for 4" deep wells (DN 100 mm). Particularly suitable for civil and industrial purposes, for sprinkler and food irrigation plants, in fire installations and generally speaking for clean water supplying.

OPERATING CONDITIONS

- Liquid temperature up to 35°C
- Sand content max. 60 g/m³
- Start/hour 20 max.

MOTOR

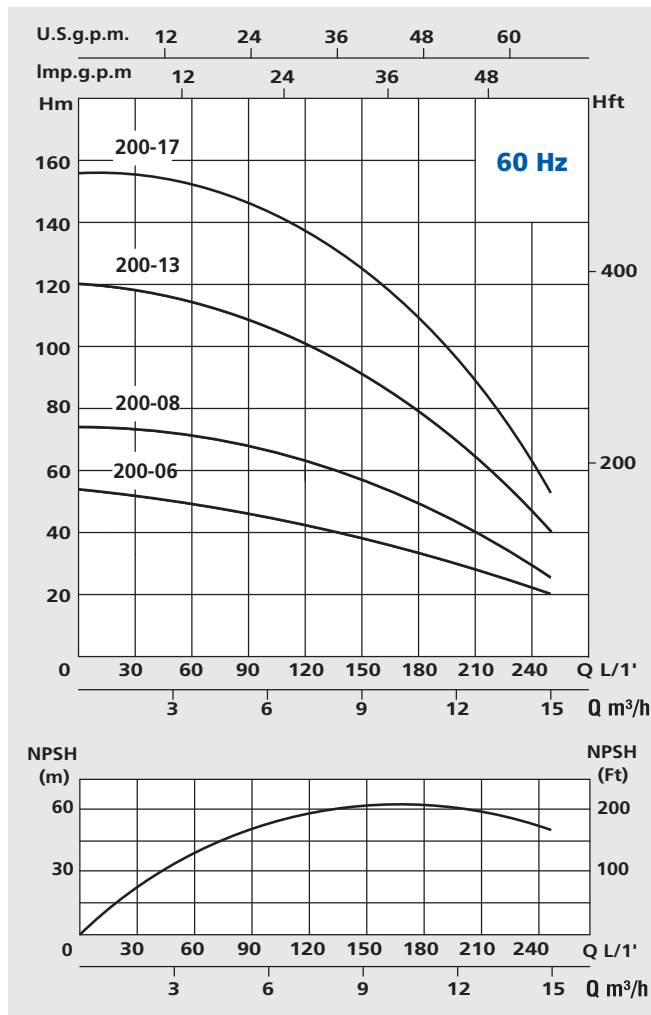
- Two-pole induction motor (n=3400min⁻¹)
- Submersible motor in oil bath
- Class F Insulation
- IP 68 Protection
- Continuous duty

MOTOR MATERIALS

- External casing Stainless steel
- Motor shaft Stainless steel
- Bottom plate Tecno-polymer
- Support Brass

PUMP MATERIALS

- External casing Stainless steel
- Motor shaft Stainless steel
- Stages and impellers Polycarbonate



SP 200/60



TECHNICAL DATA

TYPE		NOMINAL POWER P2		Stages	Q = CAPACITY											DNM	
Single-phase	Three-phase	HP	KW		m³/h	0	4,2	4,8	5,4	6	7,2	8,4	9,6	10,8	12		15
220V-60Hz	220/380V-60Hz				lt/1'	0	70	80	90	100	120	140	160	180	200	250	
SPM 200-06/60	SP/TR 200-06/60	2	1,5	6	H (m)	55	49	48	47	46	45	42	38	35	30	17	2"
SPM 200-08/60	SP/TR 200-08/60	3	2,2	8		74	69	68	67	66	63	60	56	50	43	24	2"
SPM 200-13/60	SP/TR 200-13/60	5	3,7	13		120	109	107	106	104	101	96	90	82	74	42	2"
	SP/TR 200-17/60	7,5	5,5	17		158	145	143	141	139	133	127	119	110	99	60	2"

APPLICATION

Multistage submersible water pumps for 4" deep wells (DN 100 mm)
Particularly suitable for civil and industrial purposes, for sprinkler and food irrigation plants, in fire installations and generally speaking for clean water supplying.

OPERATING CONDITIONS

- Liquid temperature up to 35°C
- Sand content max. 60 g/m³
- Start/hour 20 max.

MOTOR

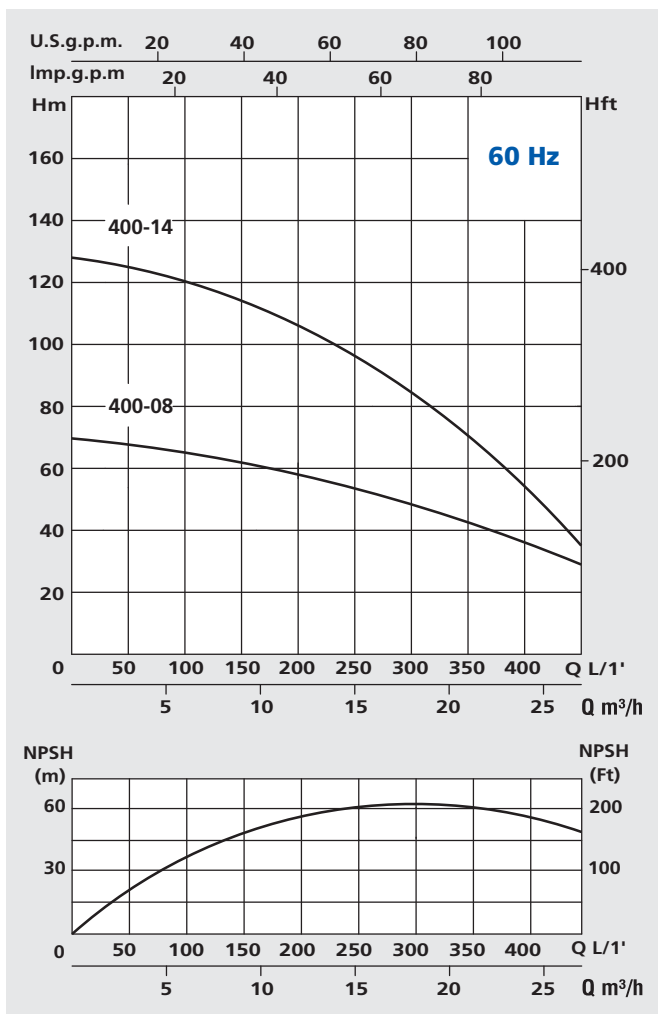
- Two-pole induction motor (n=3400min⁻¹)
- Submersible motor in oil bath
- Class F Insulation
- IP 68 Protection
- Continuous duty

MOTOR MATERIALS

- External casing Stainless steel
- Motor shaft Stainless steel
- Bottom plate Tecno-polymer
- Support Brass

PUMP MATERIALS

- External casing Stainless steel
- Motor shaft Stainless steel
- Stages and impellers Polycarbonate



SP 400/60



TECHNICAL DATA

TYPE		NOMINAL POWER P2		Stages	Q = CAPACITY											DNM	
Single-phase	Three-phase				m³/h	0	9,6	10,8	12	14,4	16,8	18	20,4	22,8	25,2		27,6
220V-60Hz	220/380V-60Hz	HP	kW		lt/1'	0	160	180	200	240	280	300	340	380	420	460	
SPM 400-08/60	SP/TR 400-08/60	5	3,7	8	H	72	60	58	55	51	47	45	40	36	30	24	2"
	SP/TR 400-14/60	7,5	5,5	14	(m)	126	104	101	97	89	80	76	67	62	48	38	2"

APPLICATION

Multistage submersible water pumps for 4" deep wells (DN 100 mm). Particularly suitable for civil and industrial purposes, for sprinkler and food irrigation plants, in fire installations and generally speaking for clean water supplying.

OPERATING CONDITIONS

- Liquid temperature up to 35°C
- Sand content max. 60 g/m³
- Start/hour 20 max.

MOTOR

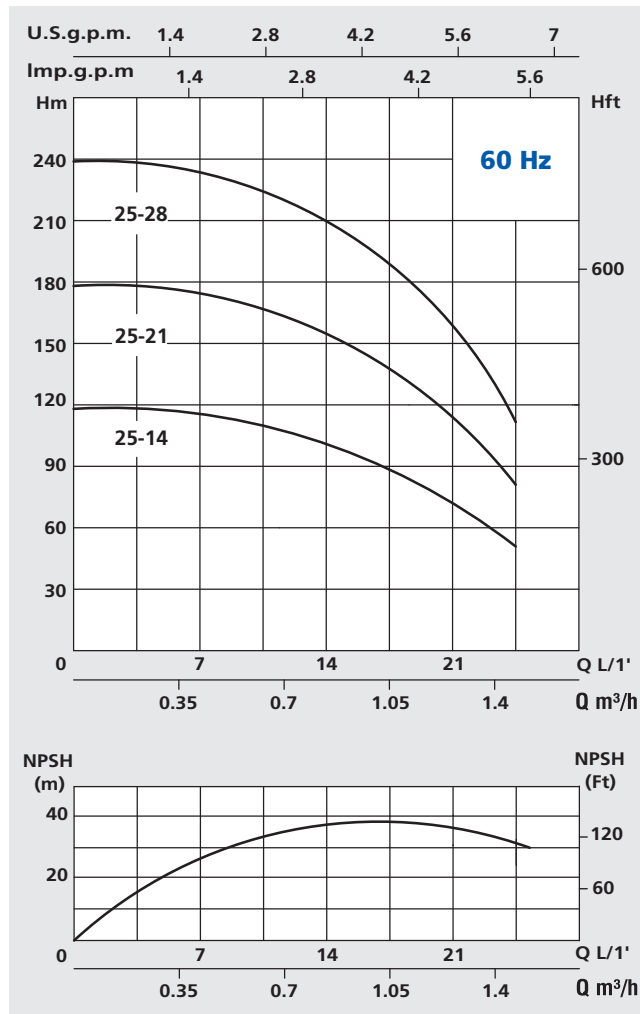
- Two-pole induction motor (n=3400min⁻¹)
- Submersible motor in oil bath
- Class F Insulation
- IP 68 Protection
- Continuous duty

MOTOR MATERIALS

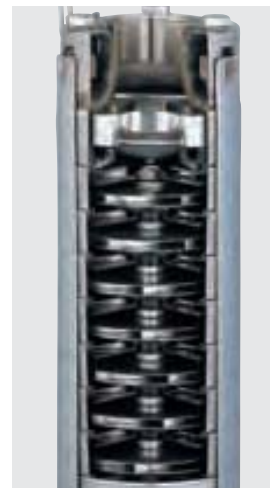
- External casing Stainless steel
- Motor shaft Stainless steel
- Bottom plate Tecno-polymer
- Support Brass

PUMP MATERIALS

- External casing Stainless steel
- Motor shaft Stainless steel
- Stages and impellers Stainless steel



SX 25/60



TECHNICAL DATA

TYPE		NOMINAL POWER P2		Stages	Q = CAPACITY													DNM
Single-phase	Three-phase				m³/h	0	0,3	0,6	0,9	1,2	1,5	1,8	2,1	2,4	2,7	3		
220V-60Hz	220/380V-60Hz	HP	kW		lt/1'	0	5	10	15	20	25	30	35	40	45	50		
SXM 25-14/60	SXT 25-14/60	0,75	0,55	14	H (m)	116	110	103	83	74	53						1" ¼	
SXM 25-21/60	SXT 25-21/60	1	0,75	21		175	169	157	138	112	81						1" ¼	
SXM 25-28/60	SXT 25-28/60	1,5	1,1	28		236	225	210	187	152	110						1" ¼	

APPLICATION

Multistage submersible water pumps for 4" deep wells (DN 100 mm).

Particularly suitable for civil and industrial purposes, for sprinkler and food irrigation plants, in fire installations and generally speaking for clean water supplying.

OPERATING CONDITIONS

- Liquid temperature up to 35°C
- Sand content max. 60 g/m³
- Start/hour 20 max.

MOTOR

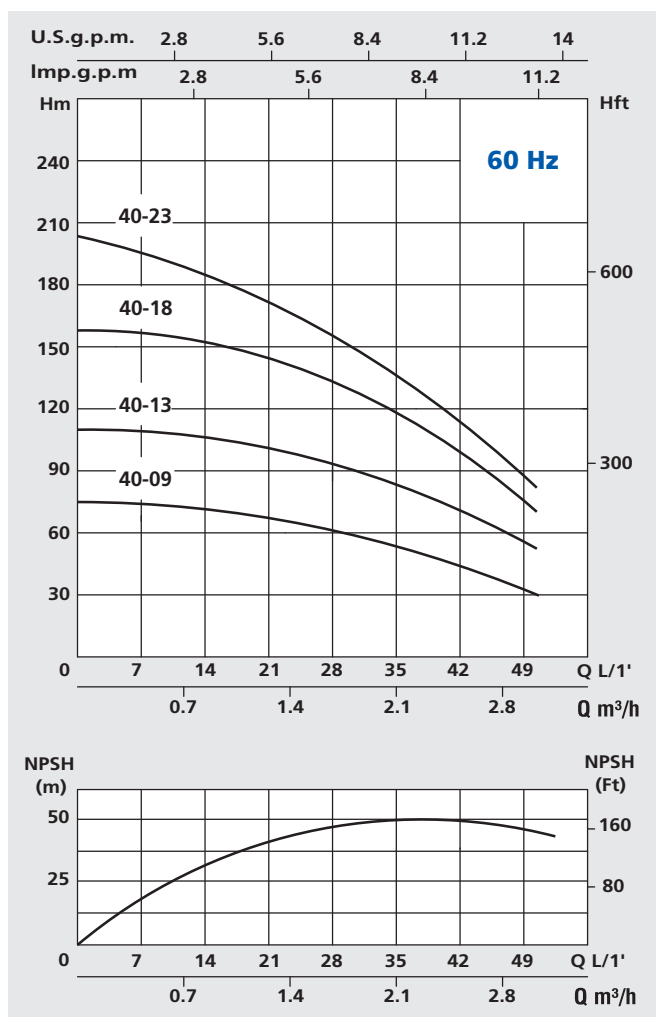
- Two-pole induction motor (n=3400 min⁻¹)
- Submersible motor in oil bath
- Class F Insulation
- IP 68 Protection
- Continuous duty

MOTOR MATERIALS

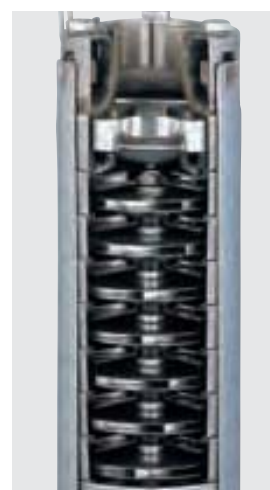
- External casing Stainless steel
- Motor shaft Stainless steel
- Bottom plate Tecno-polymer
- Support Brass

PUMP MATERIALS

- External casing Stainless steel
- Motor shaft Stainless steel
- Stages and impellers Stainless steel



SX 40/60



TECHNICAL DATA

TYPE		NOMINAL POWER P2		Stages	Q = CAPACITY										DNM		
Single-phase	Three-phase	HP	kW		m³/h	0	0,3	0,6	0,9	1,2	1,5	1,8	2,1	2,4		2,7	3
220V-60Hz	220/380V-60Hz				lt/1'	0	5	10	15	20	25	30	35	40	45	50	
SXM 40-09/60	SXT 40-09/60	0,75	0,55	9	H (m)	77				69	65	61	56	50	41	33	1" ¼
SXM 40-13/60	SXT 40-13/60	1	0,75	13		112				101	96	90	83	75	64	53	1" ¼
SXM 40-18/60	SXT 40-18/60	1,5	1,1	18		154				138	129	122	113	102	86	70	1" ¼
SXM 40-23/60	SXT 40-23/60	2	1,5	23		196				174	164	154	142	128	107	87	1" ¼

APPLICATION

Multistage submersible water pumps for 4" deep wells (DN 100 mm). Particularly suitable for civil and industrial purposes, for sprinkler and food irrigation plants, in fire installations and generally speaking for clean water supplying.

OPERATING CONDITIONS

- Liquid temperature up to 35°C
- Sand content max. 60 g/m³
- Start/hour 20 max.

MOTOR

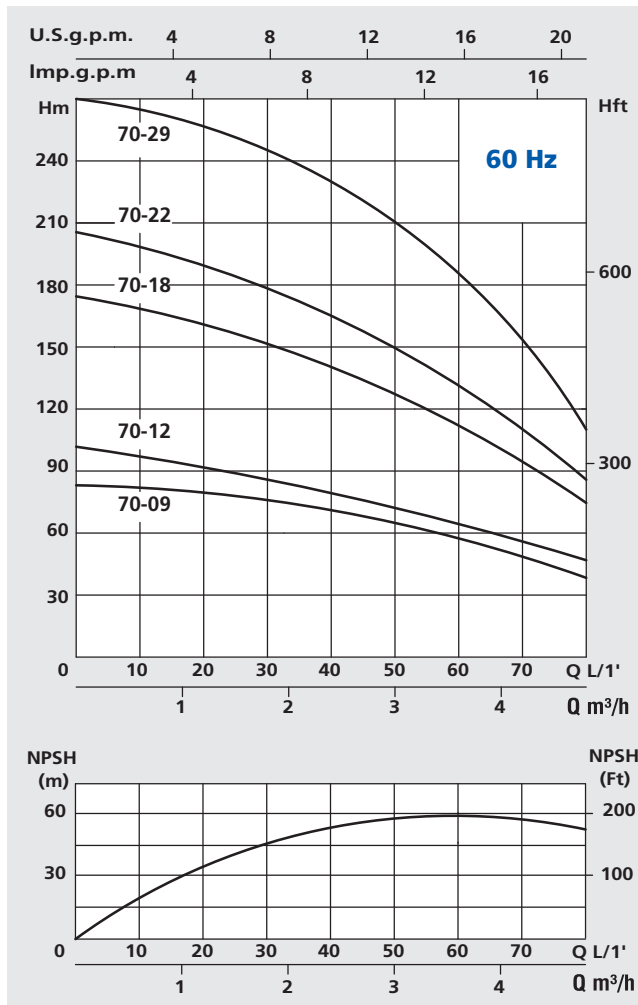
- Two-pole induction motor (n=3400 min⁻¹)
- Submersible motor in oil bath
- Class F Insulation
- IP 68 Protection
- Continuous duty

MOTOR MATERIALS

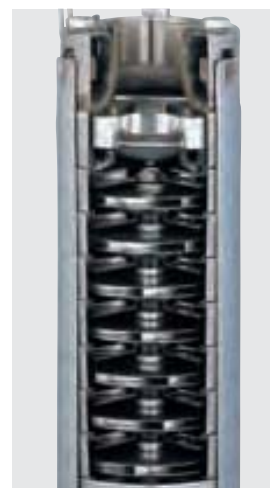
- External casing Stainless steel
- Motor shaft Stainless steel
- Bottom plate Tecno-polymer
- Support Brass

PUMP MATERIALS

- External casing Stainless steel
- Motor shaft Stainless steel
- Stages and impellers Stainless steel



SX 70/60



TECHNICAL DATA

TYPE		NOMINAL POWER P2		Stages	Q = CAPACITY													DNM
Single-phase	Three-phase	HP	KW		m ³ /h	0	0,6	0,9	1,2	1,8	2,1	2,4	3	3,6	4,2	4,8		
220V-60Hz	220/380V-60Hz				lt/1'	0	10	15	20	30	35	40	50	60	70	80		
SXM 70-09/60	SXT 70-09/60	1	0,75	9	H (m)	85					71	70	65	58	48	39	1" 1/4	
SXM 70-12/60	SXT 70-12/60	1,5	1,1	12		95					79	78	73	65	54	44	1" 1/4	
SXM 70-18/60	SXT 70-18/60	2	1,5	18		170					141	137	126	114	96	74	1" 1/4	
SXM 70-22/60	SXT 70-22/60	3	2,2	22		206					170	166	154	138	116	87	1" 1/4	
	SXT 70-29/60	4	3	29		272					224	218	201	181	151	115	1" 1/4	

APPLICATION

Multistage submersible water pumps for 4" deep wells (DN 100 mm).

Particularly suitable for civil and industrial purposes, for sprinkler and food irrigation plants, in fire installations and generally speaking for clean water supplying.

OPERATING CONDITIONS

- Liquid temperature up to 35°C
- Sand content max. 60 g/m³
- Start/hour 20 max.

MOTOR

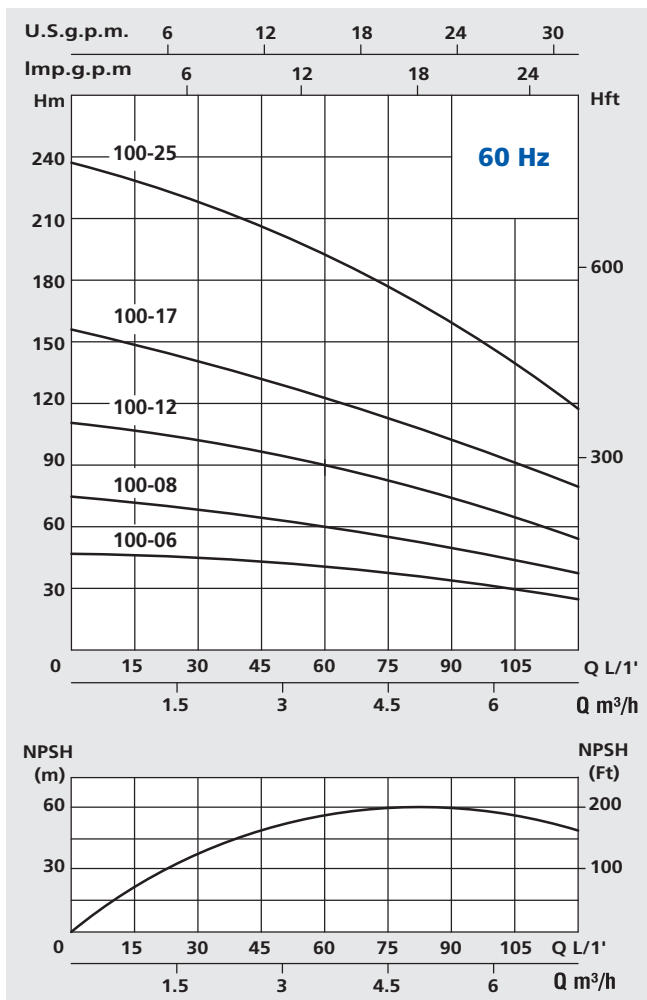
- Two-pole induction motor (n=3400 min⁻¹)
- Submersible motor in oil bath
- Class F Insulation
- IP 68 Protection
- Continuous duty

MOTOR MATERIALS

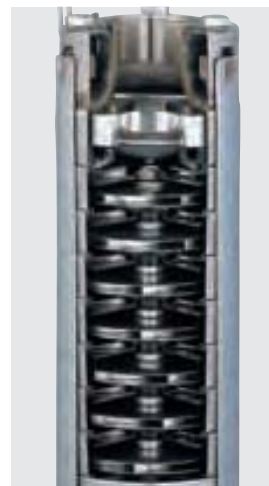
- External casing Stainless steel
- Motor shaft Stainless steel
- Bottom plate Tecno-polymer
- Support Brass

PUMP MATERIALS

- External casing Stainless steel
- Motor shaft Stainless steel
- Stages and impellers Stainless steel



SX 100/60



TECHNICAL DATA

TYPE		NOMINAL POWER P2		Stages	Q = PORTATA - CAPACITY												DNM
Single-phase	Three-phase	HP	kW		m³/h	0	0,9	1,8	2,4	3	3,6	4,2	4,8	5,4	6	7,2	
220V-60Hz	220/380V-60Hz					lt/1'	0	15	30	40	50	60	70	80	90	100	120
SXM 100-06/60	SXT 100-06/60	1	0,75	6	H (m)	55					45	43	40	37	34	26	1" 1/2
SXM 100-08/60	SXT 100-08/60	1,5	1,1	8		73					60	56	53	49	44	35	1" 1/2
SXM 100-12/60	SXT 100-12/60	2	1,5	12		109					90	86	80	75	70	56	1" 1/2
	SXT 100-17/60	4	3	17		154					125	119	111	104	96	79	1" 1/2
SXM 100-25/60	SXT 100-25/60	5	3,7	25		227					185	176	165	156	144	117	1" 1/2

APPLICATION

Multistage submersible water pumps for 4" deep wells (DN 100 mm). Particularly suitable for civil and industrial purposes, for sprinkler and food irrigation plants, in fire installations and generally speaking for clean water supplying.

OPERATING CONDITIONS

- Liquid temperature up to 35°C
- Sand content max. 60 g/m³
- Start/hour 20 max.

MOTOR

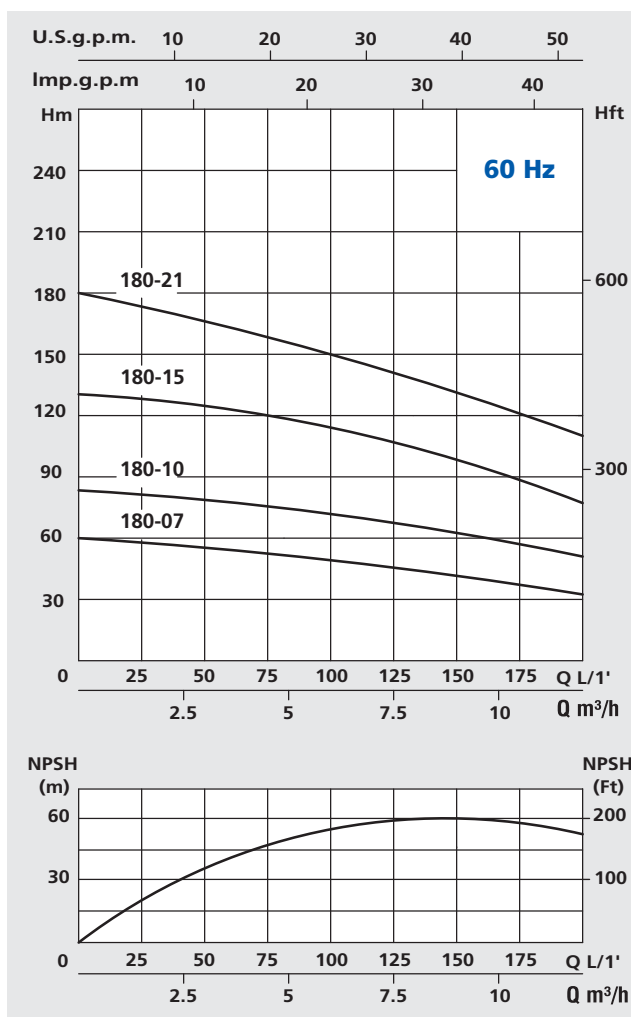
- Two-pole induction motor (n=3400min⁻¹)
- Submersible motor in oil bath
- Class F Insulation
- IP 68 Protection
- Continuous duty

MOTOR MATERIALS

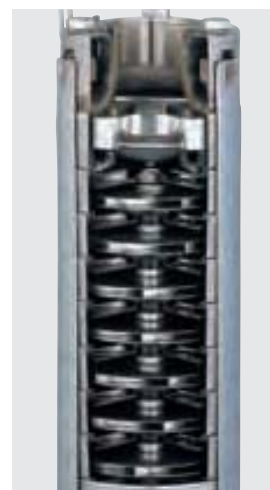
- External casing Stainless steel
- Motor shaft Stainless steel
- Bottom plate Tecno-polymer
- Support Brass

PUMP MATERIALS

- External casing Stainless steel
- Motor shaft Stainless steel
- Stages and impellers Stainless steel



SX 180/60



TECHNICAL DATA

TYPE		NOMINAL POWER P2		Stages	Q = CAPACITY														DNM
Single-phase	Three-phase	HP	kW		m³/h	0	1,2	2,4	3	3,6	4,8	5,4	6	7,2	8,4	9,6	10,8	12	
220V-60Hz	220/380V-60Hz					lt/1'	0	20	40	50	60	80	90	100	120	140	160	180	200
SXM 180-07/60	SXT 180-07/60	2	1,5	7	H (m)	60				52	51	50	47	44	42	39	32	2"	
SXM 180-10/60	SXT 180-10/60	4	3	10		86				73	71	70	68	65	61	56	49	2"	
SXM 180-15/60	SXT 180-15/60	5	3,7	15		129				112	110	107	103	99	94	88	77	2"	
	SXT 180-21/60	7,5	5,5	18		179				157	153	150	144	138	132	121	108	2"	

APPLICATION

Multistage submersible water pumps for 4" deep wells (DN 100 mm).

Particularly suitable for civil and industrial purposes, for sprinkler and food irrigation plants, in fire installations and generally speaking for clean water supplying.

OPERATING CONDITIONS

- Liquid temperature up to 35°C
- Sand content max. 60 g/m³
- Start/hour 20 max.

MOTOR

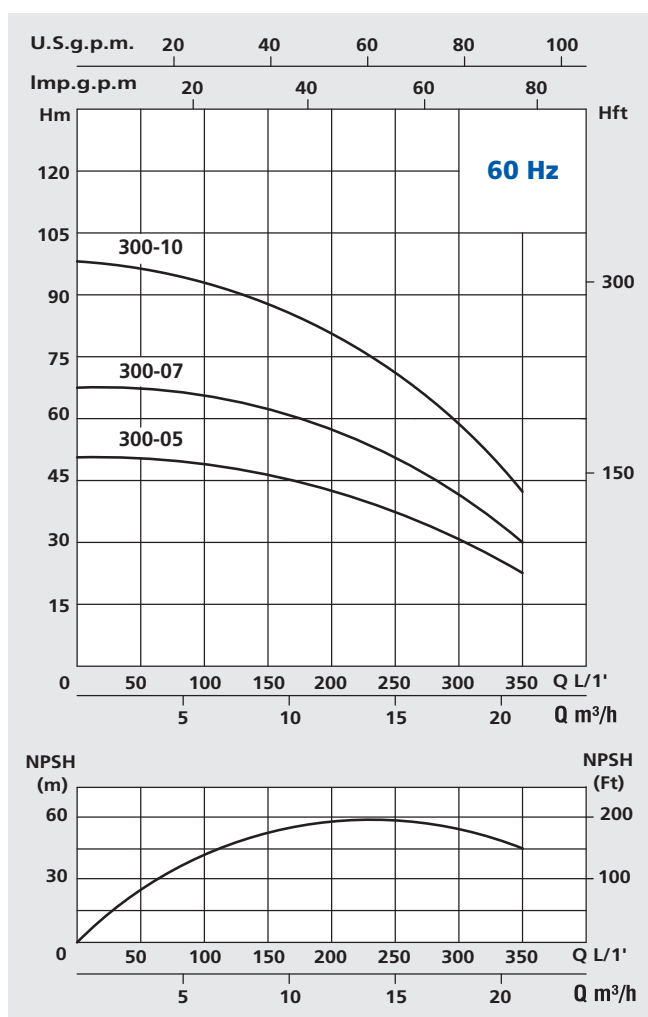
- Two-pole induction motor (n=3400 min⁻¹)
- Submersible motor in oil bath
- Class F Insulation
- IP 68 Protection
- Continuous duty

MOTOR MATERIALS

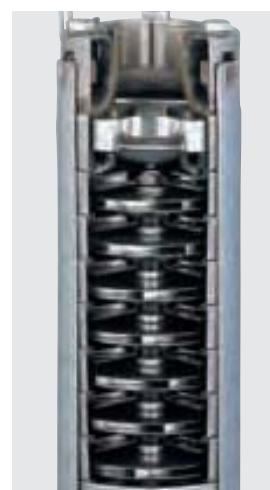
- External casing Stainless steel
- Motor shaft Stainless steel
- Bottom plate Tecno-polymer
- Support Brass

PUMP MATERIALS

- External casing Stainless steel
- Motor shaft Stainless steel
- Stages and impellers Stainless steel



SX 300/60



TECHNICAL DATA

TYPE		NOMINAL POWER P2		Stages	Q = CAPACITY											DNM	
Single-phase	Three-phase				m ³ /h	0	2,4	4,8	7,2	8,4	9,6	10,8	12	15	18		21
220V-60Hz	220/380V-60Hz	HP	kW		lt/1'	0	40	80	120	140	160	180	200	250	300	350	
SXM 300-05/60	SXT 300-05/60	3	2,2	5	H (m)	48				42	41	40	39	37	31	21	2"
SXM 300-07/60	SXT 300-07/60	5	3,7	7		68				57	56	55	54	51	44	30	2"
	SXT 300-10/60	7,5	5,5	10		96				83	81	80	78	71	61	43	2"

APPLICATION

Centrifugal submersible multistage water pumps for clean water drainage. Particularly suitable in irrigation systems, drinkable water supplying, washing and generally speaking where a pressure increase is requested. They are rest-resistant thanks to their pump body and motor in stainless steel.

OPERATING CONDITIONS

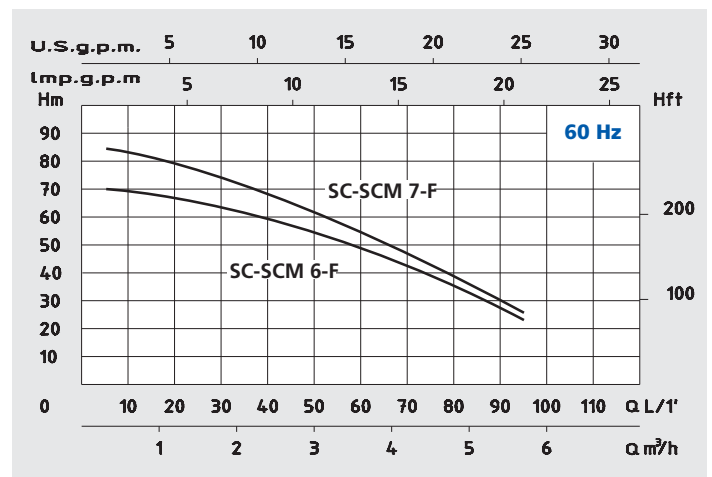
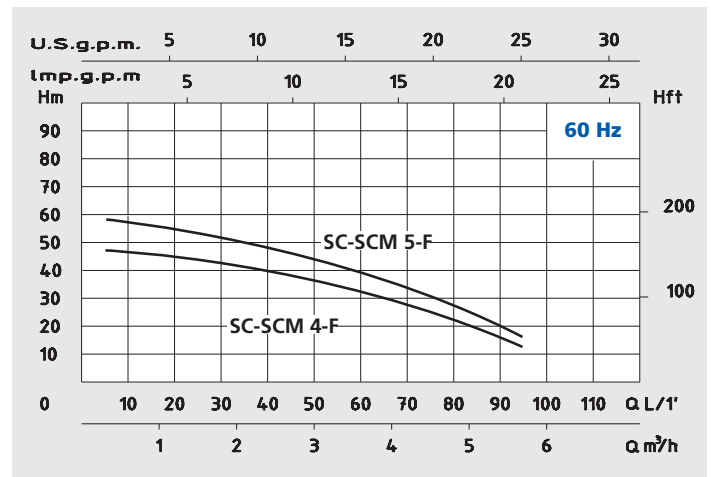
- Liquid temperature up to 35°C
- Submersion depth 20m
- Sand content 40 g/m³
- Start/hour 45 max

MOTOR

- Two-Pole induction motor (n = 3450 min⁻¹)
- Built-in over load motor protector with automatic reset
- Insulation Class F
- Protection IP 68

MATERIALS

- | | |
|--------------------------|-----------------|
| - External pump body | Stainless Steel |
| - Suction strainer | Stainless Steel |
| - Impeller and diffusors | Noryl |
| - Bearing brackets | Cast Iron |
| - Shaft | Stainless Steel |
| - Motor housing | Stainless Steel |
| - Mechanical seal | Silicon/Silicon |



TECHNICAL DATA

TYPE		INPUT POWER P1	AMPERE		Capacitor μf	Q = CAPACITY										
Single-phase	Three-phase		Single-phase	Three-phase		m ³ /h	0,3	0,6	0,9	1,2	1,8	2,7	3,6	4,2	5,1	5,7
220V-60Hz	220/380V-60Hz	Watt	1 x 220V 60Hz	3 x 380V 60Hz	H (m)	lt/1'	5	10	15	20	30	45	60	70	85	95
Total head in meters w.c.																
SCM 4-F	SC 4-F	1100	5,2	2	20	47	46	45	43	42	37	31	26	18	12	
SCM 5-F	SC 5-F	1400	6,5	3	25	58	57	56	55	52	45	38	35	23	16	
SCM 6-F	SC 6-F	1600	7,5	3,2	30	70	69	68	67	64	55	49	41	31	22	
SCM 7-F	SC 7-F	1850	8,5	3,4	35	84	83	80	77	74	67	55	47	35	25	



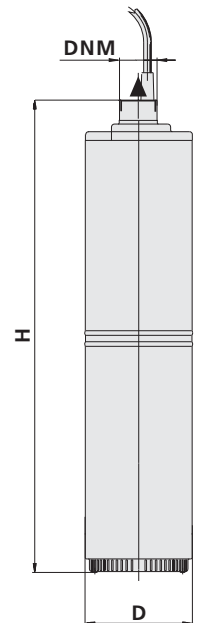
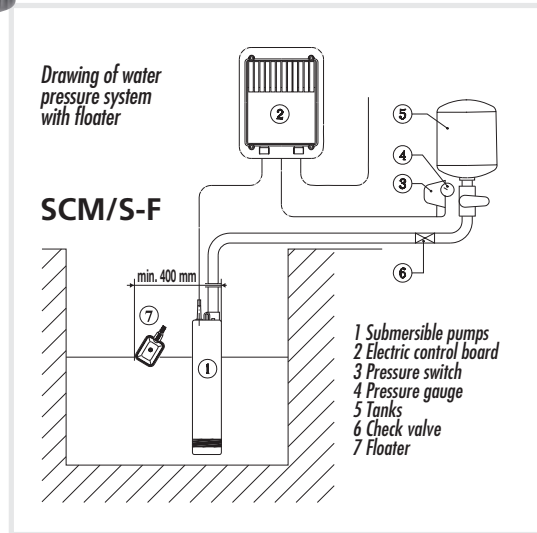
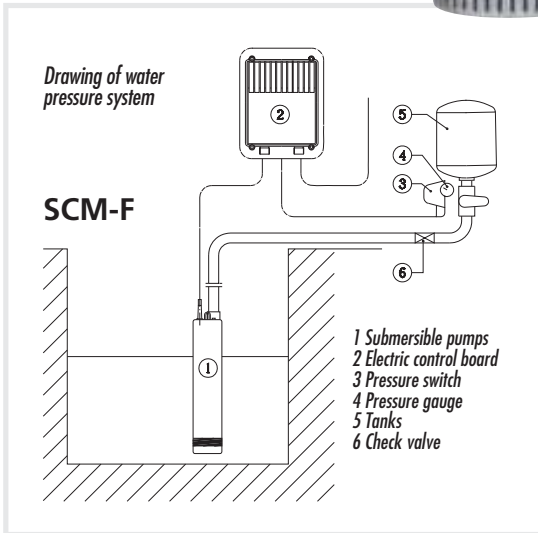
Models with floaters

SCM 4/S-F

SCM 5/S-F

SCM 6/S-F

SCM 7/S-F



DIMENSIONS AND WEIGHTS

TYPE		DIMENSIONS mm					DIMENSIONS mm			Weight
Single-phase	Three-phase	D	H	Impellers	Cable	DNM	P	L	H	Kg
SCM 4-F	SC 4-F	128	496	4	15 mt.	1 1/4	275	560	200	15,9
SCM 5-F	SC 5-F	128	496	5	20 mt.	1 1/4	275	560	200	16,6
SCM 6-F	SC 6-F	128	564	6	20 mt.	1 1/4	230	610	275	19,2
SCM 7-F	SC 7-F	128	564	7	30 mt.	1 1/4	230	610	275	22,9

OPERATING CONDITIONS

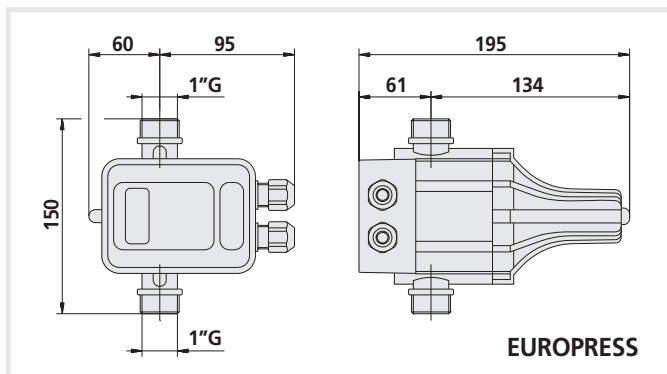
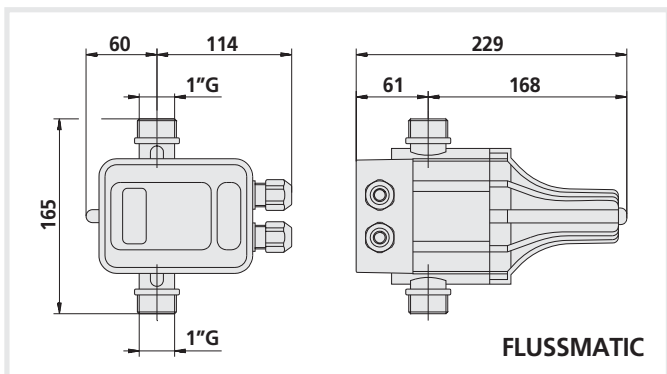
Input voltage	230 V
Frequency	50-60 Hz
Intensity Max. (Europress)	16 (6) A
Intensity Max. (Flussmatic)	16 (8) A
Protection rating	IP 65
Maximum working pressure (Europress)	8 bar
Maximum working pressure (Flussmatic)	10 bar
Maximum temperature pressure	65 °C
Connection	1" male

MATERIALS

- Body	Nylon
- Membrane	NBR
- Pressure switch	Brass

APPLICATION

Particularly suitable for the automatic control in water pressure system. The pump starts and stops automatically when cocks are opened and the delivery is none. Device avoids dry running working and protects the pump from over-suction capacity.



APPLICATION

Particularly suitable for the automatic control in water pressure system. The pump starts and stops automatically when cocks are opened and the delivery is none. Device avoids dry running working and protects the pump from over-suction capacity.

OPERATING CONDITIONS

Input voltage	220-240 V
Frequency	50-60 Hz
Intensity Max.	16 (8) A
Protection rating	IP 54
Maximum working pressure	10 bar
Maximum temperature pressure	65 °C
Connection	1" male

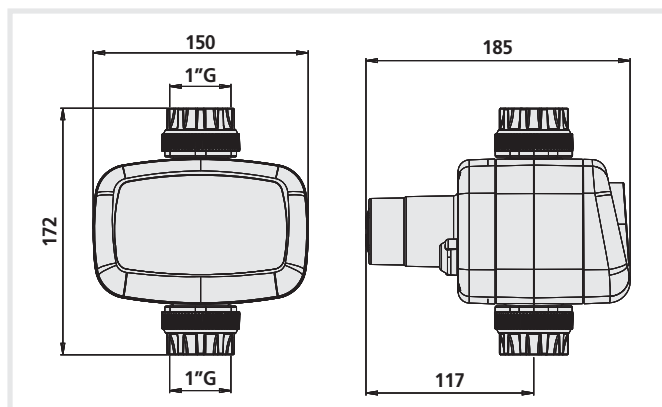
MATERIALS

- Body	Nylon
- Membrane	NBR
- Pressure switch	Brass



FLUSSTRONIC 3.3/D

FLUSSTRONIC 2.3





24 LITERS MEMBRANE PRESSURE TANK

TYPE	MAX. PRESSURE	CAPACITY LITERS	CONNECTOR
IDROSFERA	8 bar	24	1"



MEMBRANE PRESSURE TANK

TYPE	MAX. PRESSURE	CAPACITY LITERS	CONNECTOR
IDROPRESS 22	8 bar	22	1"
IDROPRESS 25	8 bar	25	1"
IDROPRESS 60	10 bar	60	1"
IDROPRESS 100	10 bar	100	1"
IDROPRESS 200	10 bar	200	1"½
IDROPRESS 300	10 bar	300	1"½



MEMBRANE PRESSURE TANK

TYPE	MAX. PRESSURE	CAPACITY LITERS	CONNECTOR
IDROSFERA 100	10 bar	100	1"
IDROSFERA 200	10 bar	200	1"½
IDROSFERA 300	10 bar	300	1"½
IDROSFERA 500	10 bar	500	1"½

24 LITERS TANK GROUP

COMPONENTS

- Vertical tank 24 lt.
- Pressure gauge
- 5 ways connector
- Pressure switch



25 LITERS TANK GROUP

COMPONENTS

- Horizontal tank 25 lt.
- Pressure gauge
- Flexible hose
- 5 ways connector
- Pressure switch



PRESSURE SWITCH

TYPE	SIZE	CONNECTOR
PM 5 - F	1,6 ÷ 3,2 bar	1/4" Female
PM 5 - ML	1,6 ÷ 3,2 bar	1/4" Male




PRESSURE SWITCH

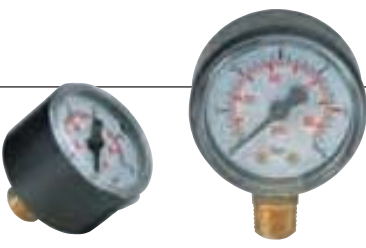
TYPE	SIZE	CONNECTOR
FSG - 2	1,4 ÷ 2,8 bar	1/4" Female




ANTI VIBRATION FLEXIBLE HOSE

	TYPE	SIZE	CONNECTOR
	TFR 30	300 mm	1/2" Bended
	TFR 52	520 mm	1" Bended
	TFD 60	600 mm	1" Right


PRESSURE GAUGE

	TYPE	SIZE	CONNECTOR
	Pressure gauge back attack	Ø 40	1/4"
	Pressure gauge radial attack	Ø 50	1/4"

BRASS CONNECTOR

	TYPE	SIZE
	3 ways Connector	1"
	4 ways Connector	1"
	5 ways Connector	1"

FOOT VALVE

	TYPE	SIZE
	Nylon foot valve Speroni	1"

FOOT VALVE

TYPE	SIZE
Bronze foot valve "JUPITER"	1"



CHECK VALVE

TYPE	SIZE
Bronze foot valve "JOLLY"	1"
	1" 1/4
	1" 1/2



WATER FILTER

TYPE	MAX. PRESSURE	SIZE	HEIGHT
FA 125	3,5 bar	1" x 1"	5"
FA 250	3,5 bar	1" x 1"	9"



FILTER CARTRIDGE

TYPE	DIAMETER	HEIGHT
CF 125	63	112
CF 250	63	243



FLOATER



TYPE	SIZE
IGD 2/S	2 mt.
IGD 5/S	5 mt.
IGD 10/S	10 mt.

DELIVERY SET



TYPE	SIZE
DELIVERY SET 8 M	1" x 28
	1"1/4 x 35
	1"1/2 x 40
	2" x 50

SUCTION SET



TYPE	SIZE
Suction set 4 m	1" x 1"
Suction set 7 m	1" x 1"



SET RAIL SYSTEM

TYPE	SIZE
CUTTY	1"1/2
PRF	3"
SQ 15-25	1"1/2
SQ 42-50	3"
SQ 65-85	3"

EJECTOR

TYPE	DIAMETER	SIZE
Set EJECTOR	2"	1"







CAPACITOR

TYPE	DIAMETER	LENGHT
µF 8	Ø 32	60 mm
µF 10	Ø 36	60 mm
µF 12,5	Ø 36	72 mm
µF 14	Ø 36	72 mm
µF 16	Ø 40	72 mm
µF 20	Ø 40	72 mm
µF 25	Ø 40	97 mm
µF 30	Ø 40	97 mm
µF 32	Ø 40	97 mm
µF 35	Ø 45	97 mm
µF 40	Ø 50	97 mm
µF 45	Ø 50	97 mm
µF 50	Ø 50	97 mm
µF 60	Ø 50	122 mm
µF 80	Ø 50	122 mm



COMPLETE MECHANICAL SEAL

TYPE	SHAFT DIAMETER	MATERIAL	AR	FN
Kit tenuta AR 12	12 mm	Ceramic/Graphite		
Kit tenuta AR 13	13 mm	Ceramic/Graphite		
Kit tenuta AR 15	15 mm	Ceramic/Graphite		
Kit tenuta AR 19	19 mm	Ceramic/Graphite		
Kit tenuta FN 15	15 mm	Ceramic/Graphite		
Kit tenuta FN 18	18 mm	Ceramic/Graphite		
Kit tenuta FN 20	20 mm	Ceramic/Graphite		
Kit tenuta FN 24	24 mm	Ceramic/Graphite		
Kit tenuta RN 12	12 mm	Ceramic/Graphite		
Kit tenuta RN 15	15 mm	Ceramic/Graphite		
Kit tenuta RN 20	20 mm	Ceramic/Graphite		
Kit tenuta RN 24	24 mm	Ceramic/Graphite		
Kit tenuta PNT 15	15 mm	Ceramic/Graphite		

NOTE



A series of horizontal lines for taking notes, starting below the "NOTE" header and extending across the width of the page.

